

Step 17

A-Frame Assembly & Ductile Hanger Installation

***NOTE:** It is possible to modify your 3 Position Swing Beam to a 2 Position Swing Beam for use in small yards. See Step 18, page 36 for instructions on how to modify the 3 Position Swing Beam to a 2 Position Swing Beam. Proceed with the following steps after making the modifications.

1. Attach Swing Hangers (N26) to Swing Beam (712) (7007) using 3/8" Hardware (H3) (H11) (H24) (H28) (H135) and 3/8" Bolt Cup (N29).

***SUGGESTION:** Use a locking pliers to hold on to Hex Head Bolts (H135).

2. Position Plaque (N324) in the approximate position shown and attach to Swing Beam using Hardware (H157) (as shown).

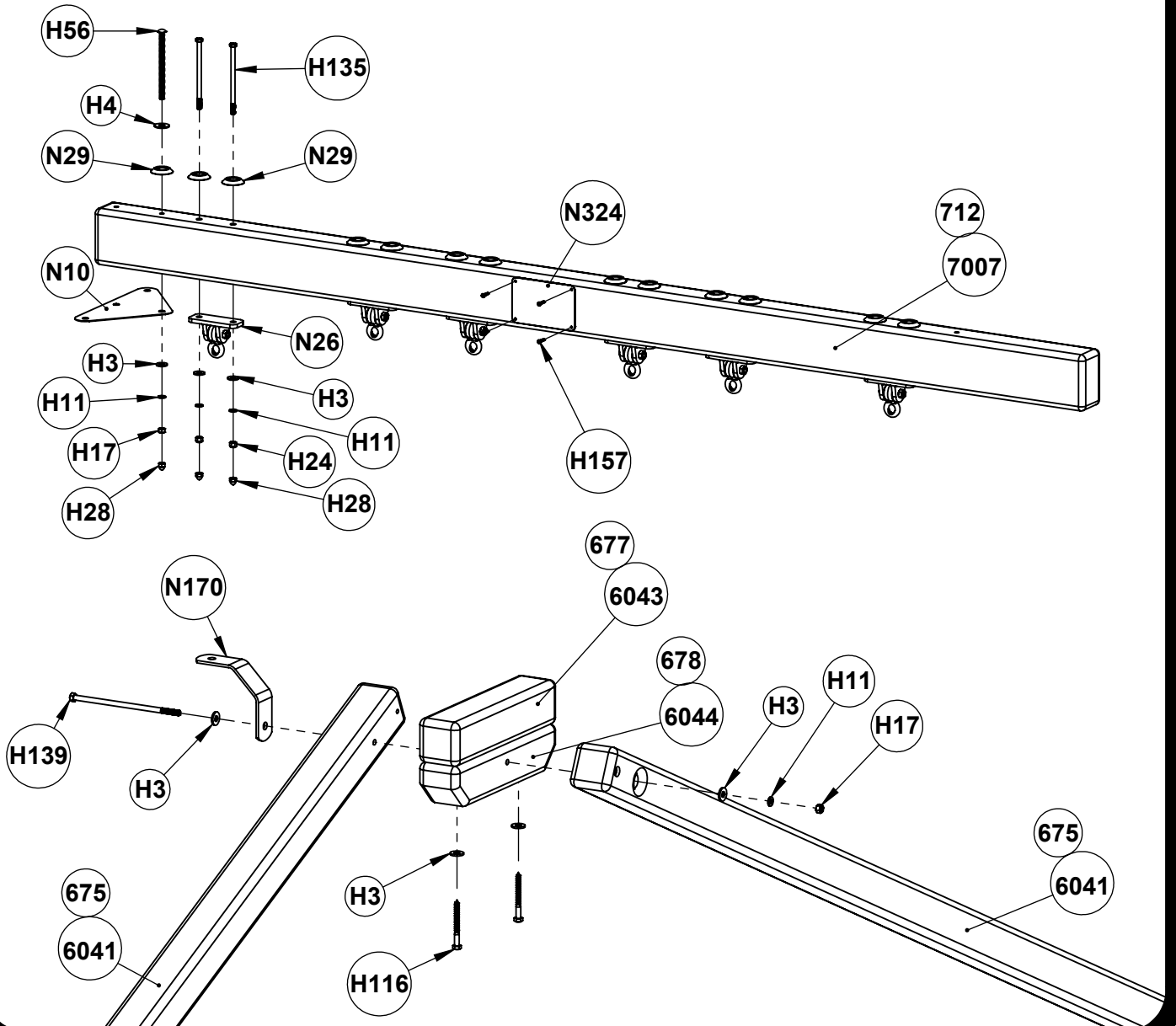
3. Attach Swing Beam Bracket (N10) to Swing Beam (712) (7007) using 3/8" Bolt Cup (N29), 3/8" Hardware (H3) (H11) (H17) (H28) (H56), and 1/2" Hardware (H4) (as shown).

***NOTE:** Do not fully tighten hardware at this time.

4. Attach Upper A-Frame Block (677) (6043) and Lower A-Frame Block (678) (6044) (as shown) using 3/8" Hardware (H3) (H116).

5. Attach A-Frame Legs (675) (6041) to A-Frame Block assembly using 45° Bracket (N170) and 3/8" Hardware (H139) (H3) (H11) (H17).

***NOTE:** Lay assembly on the ground with A-Frame Legs (675) (6041) pointing in opposite directions. Do not tighten hardware completely at this time.



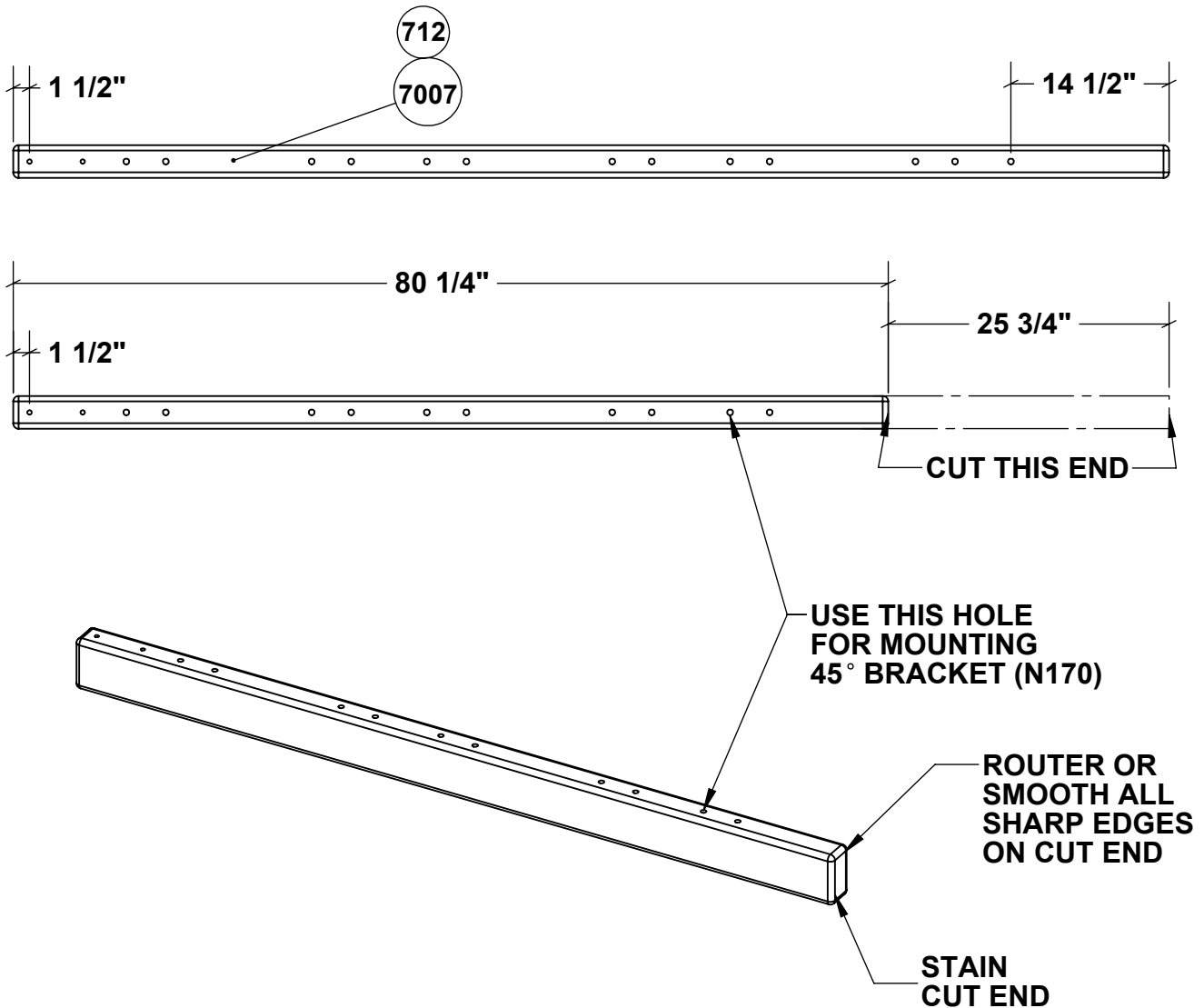
Step 18

2 Position Swing Beam Modification

***NOTE:** Be sure proper end is cut as specified in the diagrams below.

1. Cut $25 \frac{3}{4}$ " off the outer end of Swing Beam (712) (7007) (as shown).
2. Router all sharp edges of cut end of Swing Beam (712) (7007).
3. Stain cut end of Swing Beam (712) (7007) with a non-toxic water sealant intended for outdoor use.

***NOTE:** When installing modified Swing Beam (712) (7007), use second hole in from end (as shown) for mounting 45° Bracket (N170).



Step 19

Swing Beam Installation

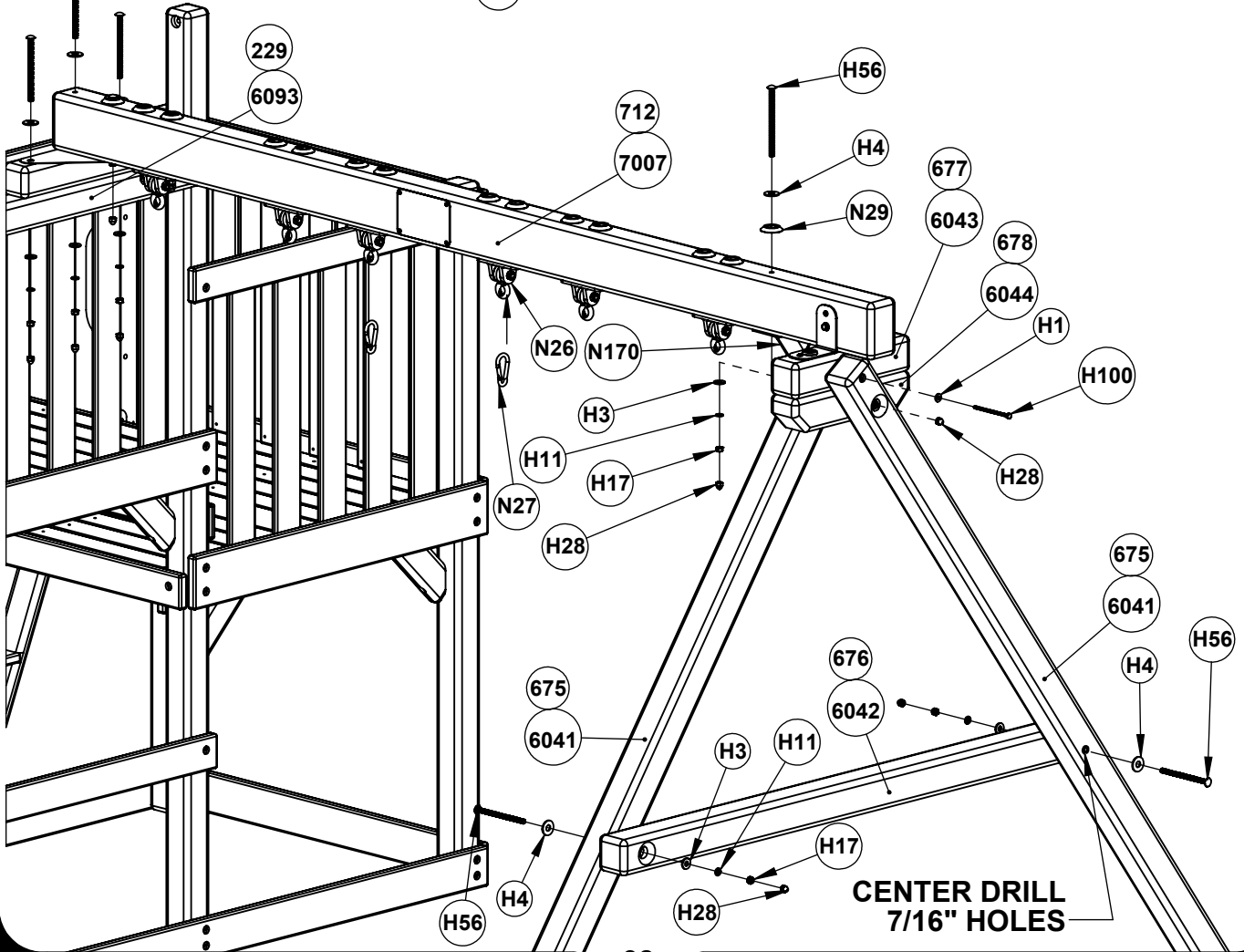
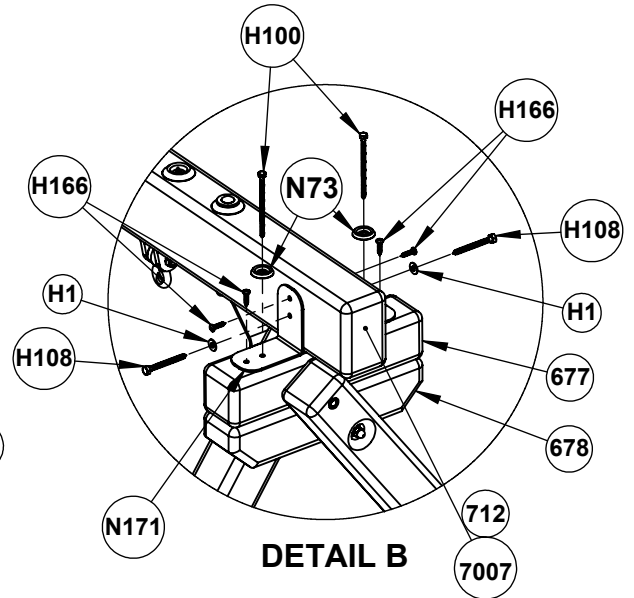
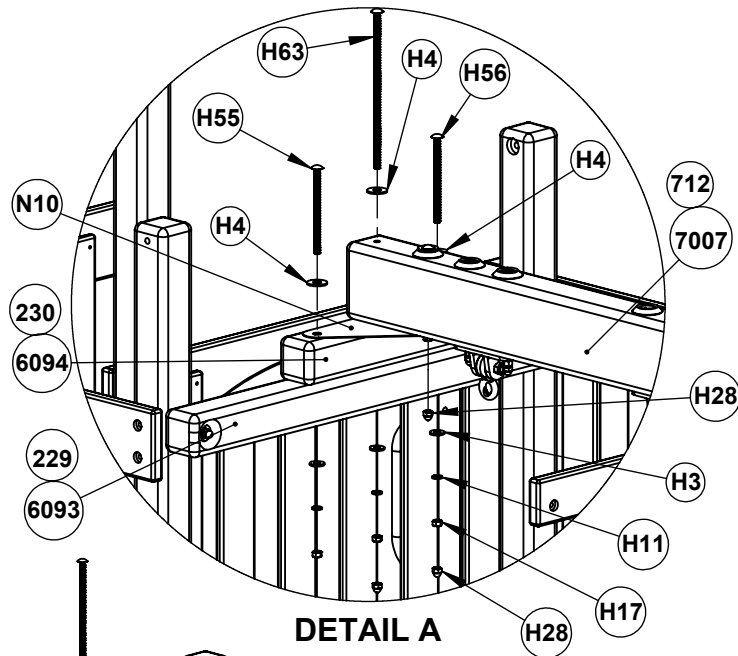
1. On the ground, place Swing Beam (712) (7007) on top of Swing Beam Block (677) (6043). Align pre-drilled hole and attach through 45° Bracket (N170) using Bolt Cup (N29), 1/2" Hardware (H4), and 3/8" Hardware (H56) (H3) (H11) (H17).
2. Make sure Swing Beam (712) (7007) is centered on the Swing Beam Block (677) (6043). Position 90° Brackets (N338) on Swing Beam Block (677) (6043), up against the Swing Beam (712) (7007), and attach using Bolt Cups (N73), #14 Hardware (H166), 1/4" Hardware (H1) (H100) and 5/16" Hardware (H108) (as shown in Detail B).
3. Position Riser Block (230) (6094) on top of the Top Joist (229) (6093). Lift Swing Beam assembly into position on top of the Riser Block (230) (6094) and attach through Swing Beam (712) (7007) and Swing Beam Plate (N10) using 1/2" Hardware (H4) and 3/8" Hardware (H55) (H63) (H3) (H11) (H17).
***NOTE: For ease of installation, insert Carriage Bolt (H63) through the Swing Beam (712) (7007), and then insert Carriage Bolts (H55). Do not tighten hardware at this time.**
4. Lift Swing Beam assembly up until A-Frame Legs hold Swing Beam in a level position.
***CAUTION: Legs will close inward as Swing Beam is lifted up into position.**
***SUGGESTION: Use at least two people to lift Swing Beam assembly.**
***CAUTION: Legs are very unstable until Cross Member (676) (6042) is installed.**
5. Tighten Hex Head Bolt (H140) that goes through A-Frame Legs (675) (6041) and A-Frame Block assembly and attach 3/8" Hardware (H28). Tighten all hardware that goes through Swing Beam Plate (N10) at this time.
6. Hold A-Frame Cross Member (676) (6042) in a level position against A-Frame Legs (675) (6041), and drill through A Frame Legs using a 7/16" drill bit. Attach Cross Member using 3/8" Hardware (H56) (H3) (H11) (H17) and 1/2" Hardware (H4).
7. Attach A-Frame Legs (675) to A-Frame Blocks using 1/4" Hardware (H1) (H100).
8. Place 3/8" Acorn Nuts (H28) on all Hardware that goes through Swing Beam Plate (N10), A-Frame Cross Member (676) (6042) and 45° Bracket (N170) after all Hardware is tightened.
9. Attach Spring Clips (N27) to Swing Hangers (N26).
10. Attach Swing Options to Spring Clips (N27).
***NOTE: There must be no less than 8" from the ground to the bottom of Sling Swing, Tire Swing and Half Bucket Swing when properly installed.**
***NOTE: Only ONE Swing Option in each opening on the Swing Beam.**

Continued on next page:

Step 19

Swing Beam Installation

Continued from previous page:

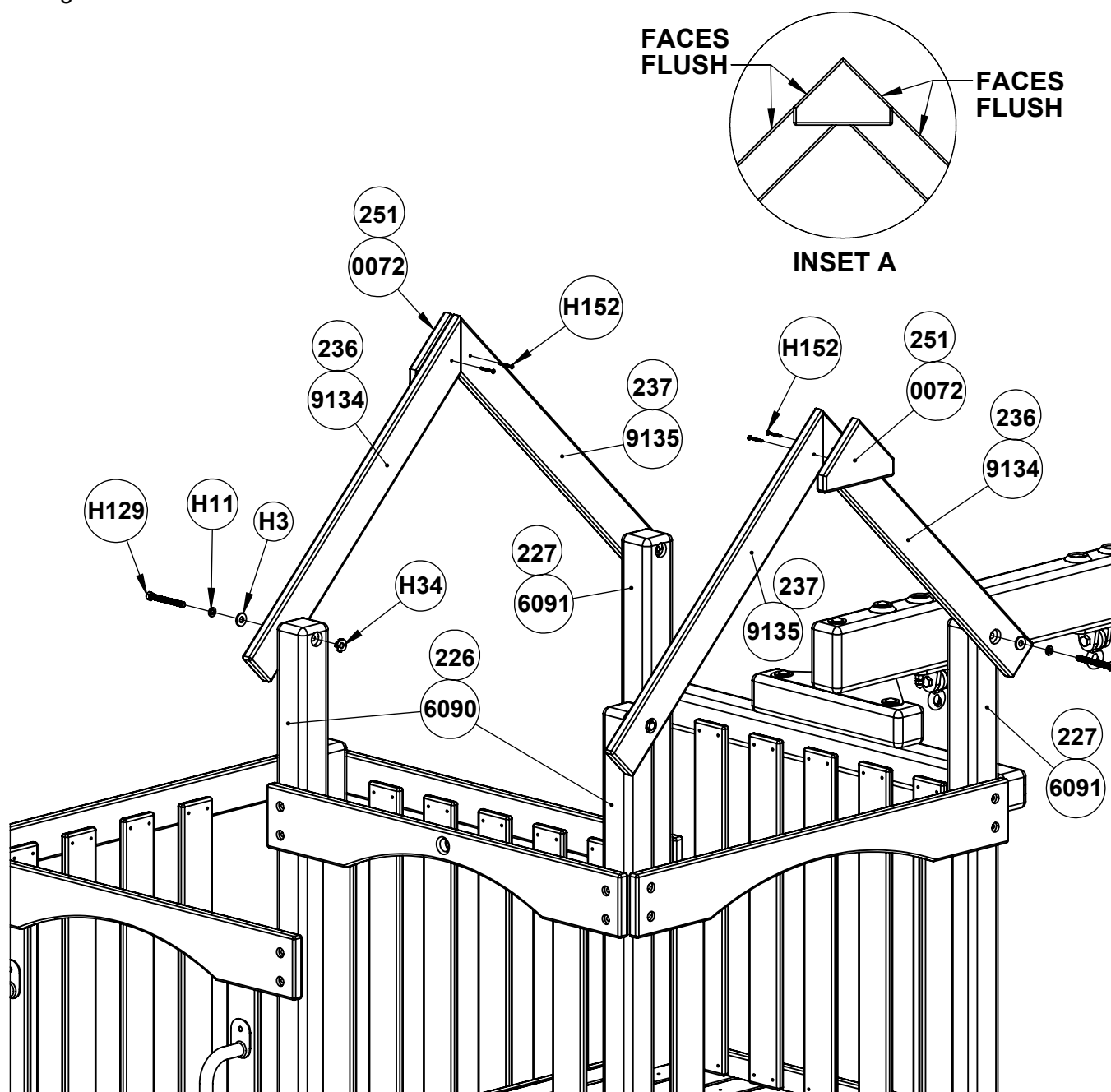


Step 20

Wood Roof Installation

***NOTE: Swing Beam must be installed before Wood Roof.**

1. Insert 3/8" Hardware (H34) into holes in Corner Uprights (226) (6090) (227) (6091).
2. Position Left Roof Supports (236) (9134) and Right Roof Supports (237) (9135) on Uprights as shown and attach using 3/8" Hardware (H3) (H11) (H34) (H129). Do not fully tighten hardware at this time.
3. Hold Roof Supports (236) (9134) (237) (9135) so they form a peak and attach Peak Facias (251) (0072) using #8 Hardware (H152). Peak Facias should be flush with the outside faces of Roof Supports (as shown in Inset A).
4. Tighten 3/8" Hardware from #2 at this time.



Step 21

Wood Roof Installation

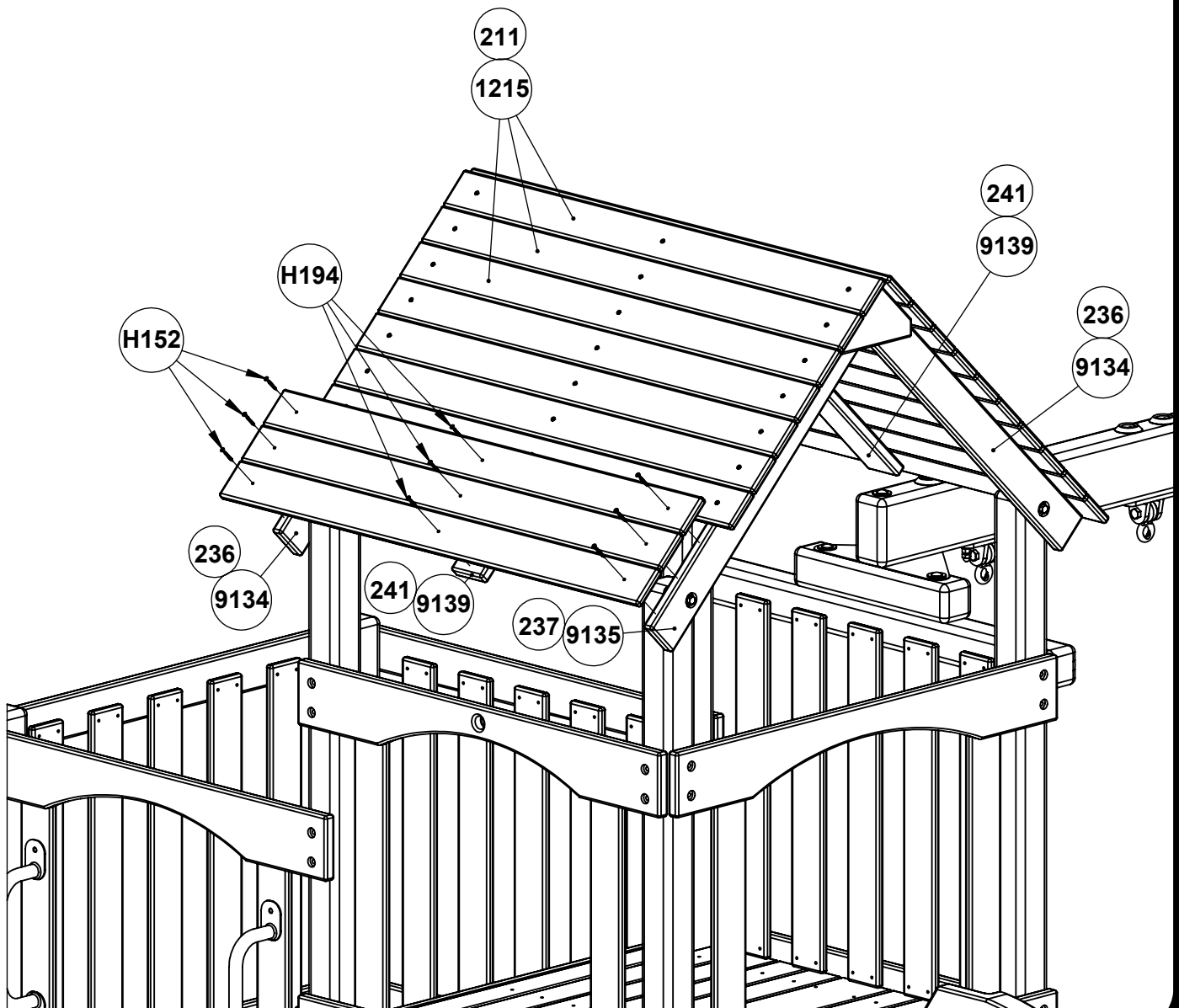
***NOTE:** This step will require 2-3 people to complete.

***NOTE:** A stable stepping block or a short ladder may be required to install the top Roof Boards (211) (1215).

***NOTE:** Have a helper hold Roof Supports (236) (9134) (237) (9135) in place while installing the first 2-4 roof boards per side.

***NOTE:** Roof Boards (211) (1215) should overhang Roof Supports (236) (9134) (237) (9135) approximately 2".

1. Starting from the top, center Roof Boards (211) (1215) on Roof Supports (236) (9134) (237) (9135) so they form a peak. Attach Roof Boards (211) (1215) using #8 Hardware (H152).
2. Continue attaching four more Roof Boards (211) (1215), then center Roof Runners (241) (9139) on the bottom side of Roof Boards (211) (1215) and attach using #8 Hardware (H194). Roof Runner should be approximately 1" down from top of top Roof Board.
***SUGGESTION:** Periodically check that overhang of Roof Boards (211) (1215) measures 2" to ensure that Roof is square.
3. Finish by attaching remaining Roof Boards (211) (1215) to Roof Supports (236) (9134) (237) (9135) and Roof Runners (241) (9139) on both sides of Roof using #8 Hardware (H152) (H194).

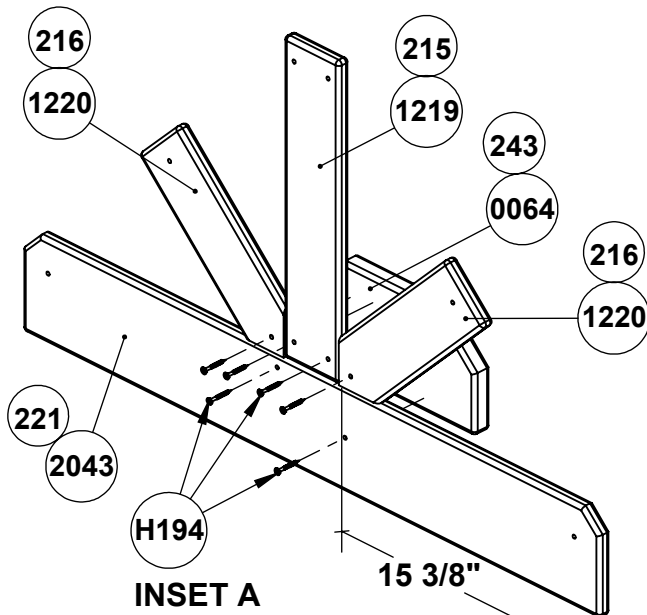


Step 22

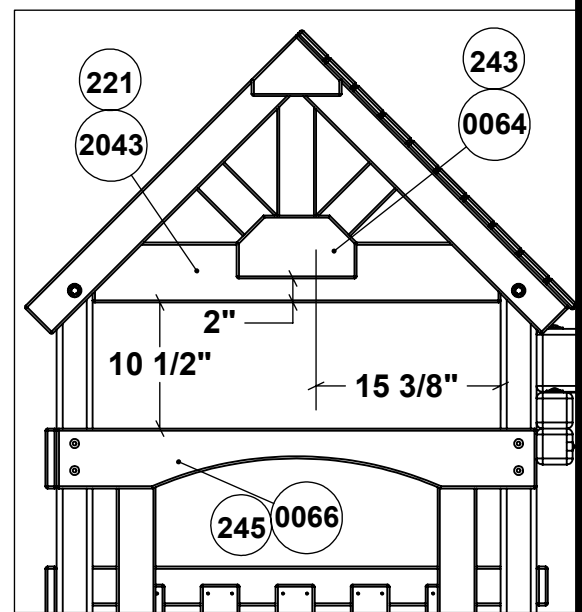
Fan Installation

***NOTE: Over-tightening screws in fan may cause wood to split.**

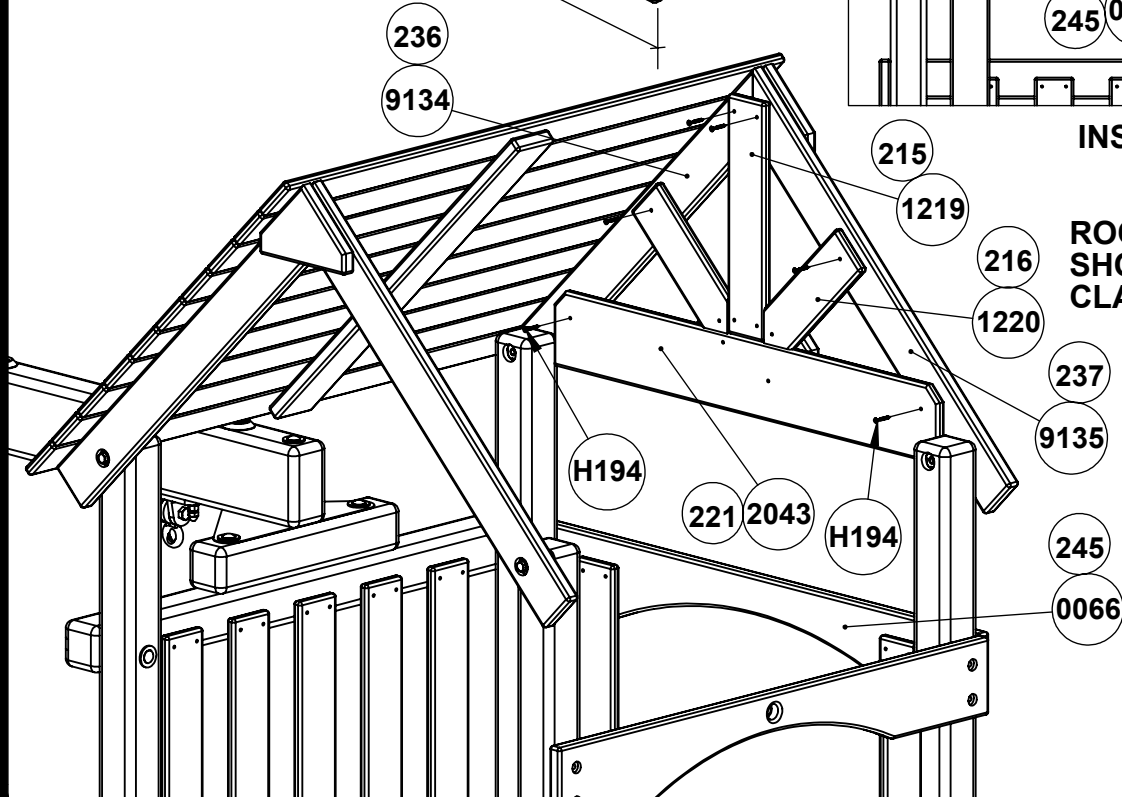
1. On a flat surface position Fan Center (243) (0064), Fan Horizontal (221) (2043), and Fan Vertical (215) (1219), and Fan Rays (216) (1220) (as shown in Inset A) and attach using #8 Hardware (H194). Fan Center (243) (0064) should be 2" up from the bottom of Fan Horizontal (221) (2043) (as shown in Inset B).
2. Center assembled Fan approximately 10 1/2" up from Arched Facia (245) (0066) and attach to Roof Supports (236) (9134) (237) (9135) (on Slide side of the set) using #8 Hardware (H194).



INSET A



INSET B



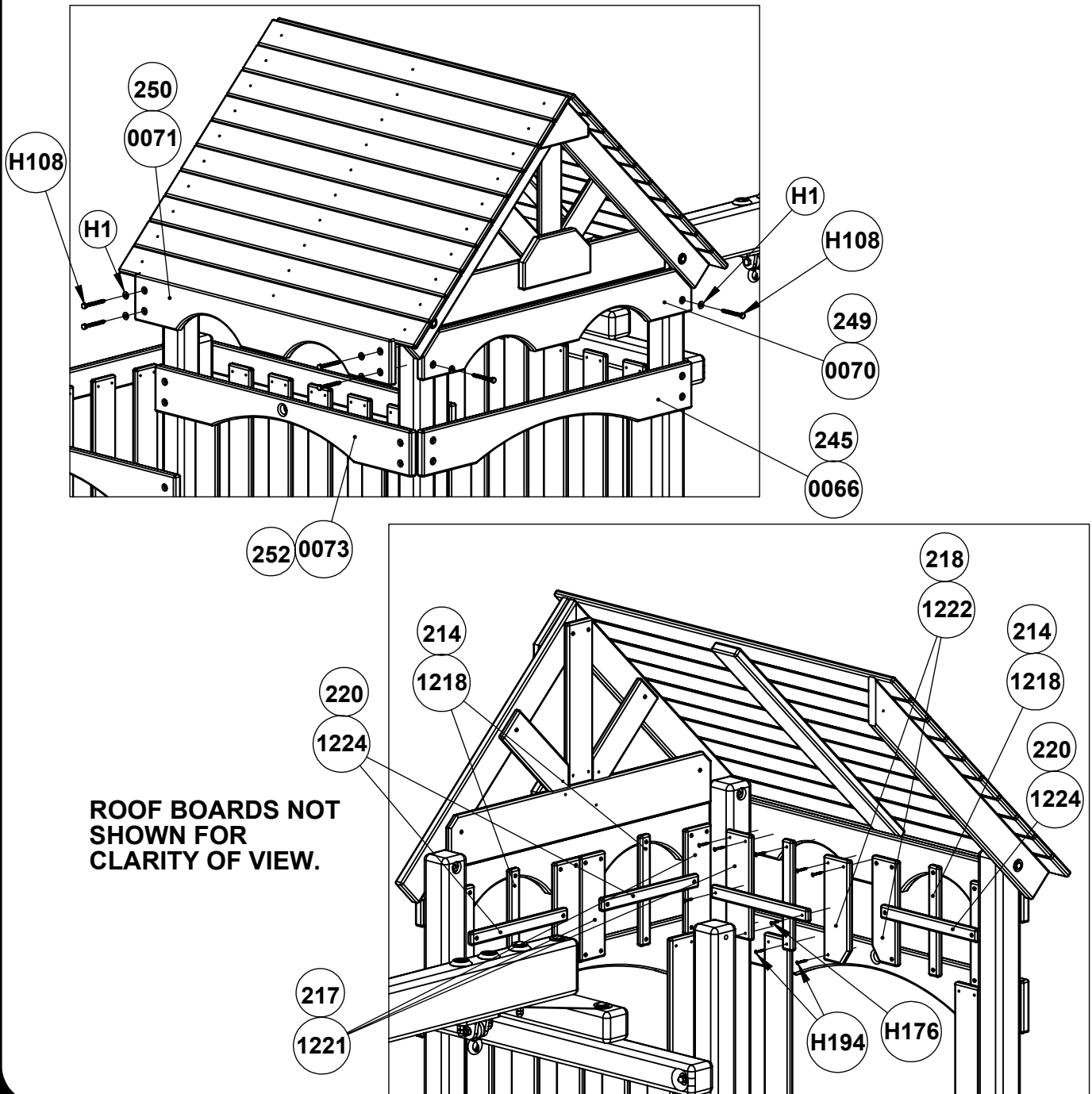
ROOF BOARDS NOT SHOWN FOR CLARITY OF VIEW.

Step 23

Cabin Installation

***NOTE: Pre-drill holes for all 1/4" Lag Bolts with a 1/8" Drill Bit.**

1. Attach Arched Window Facias (249) (0070) (250) (0071) to Uprights under Roof and Roof Supports in the locations shown using 1/4" Hardware (H1) and 5/16" Hardware (H108). The tops of Arched Window Facias (249) (0070) (250) (0071) should be 10 1/2" above the tops of Arched Facias (245) (0066) (252) (0073).
2. Position Cabin Uprights (217) (1221), Angled Cabin Uprights (218) (1222), and Window Boards (214) (1218) in the locations shown below and attach to Arched Facias (245) (0066) (252) (0073) and Arched Window Facias (249) (0070) (250) (0071) using #8 Hardware (H194). Be sure to put Angled Cabin Uprights (218) (1222) around Rock Wall Rope hole in Arched Facia w/Hole (252) (0073).
3. Center Window Horizontals (220) (1224) across the openings between Cabin Uprights (217) (1221) (218) (1222) and attach to Cabin Uprights using #8 Hardware (H176).



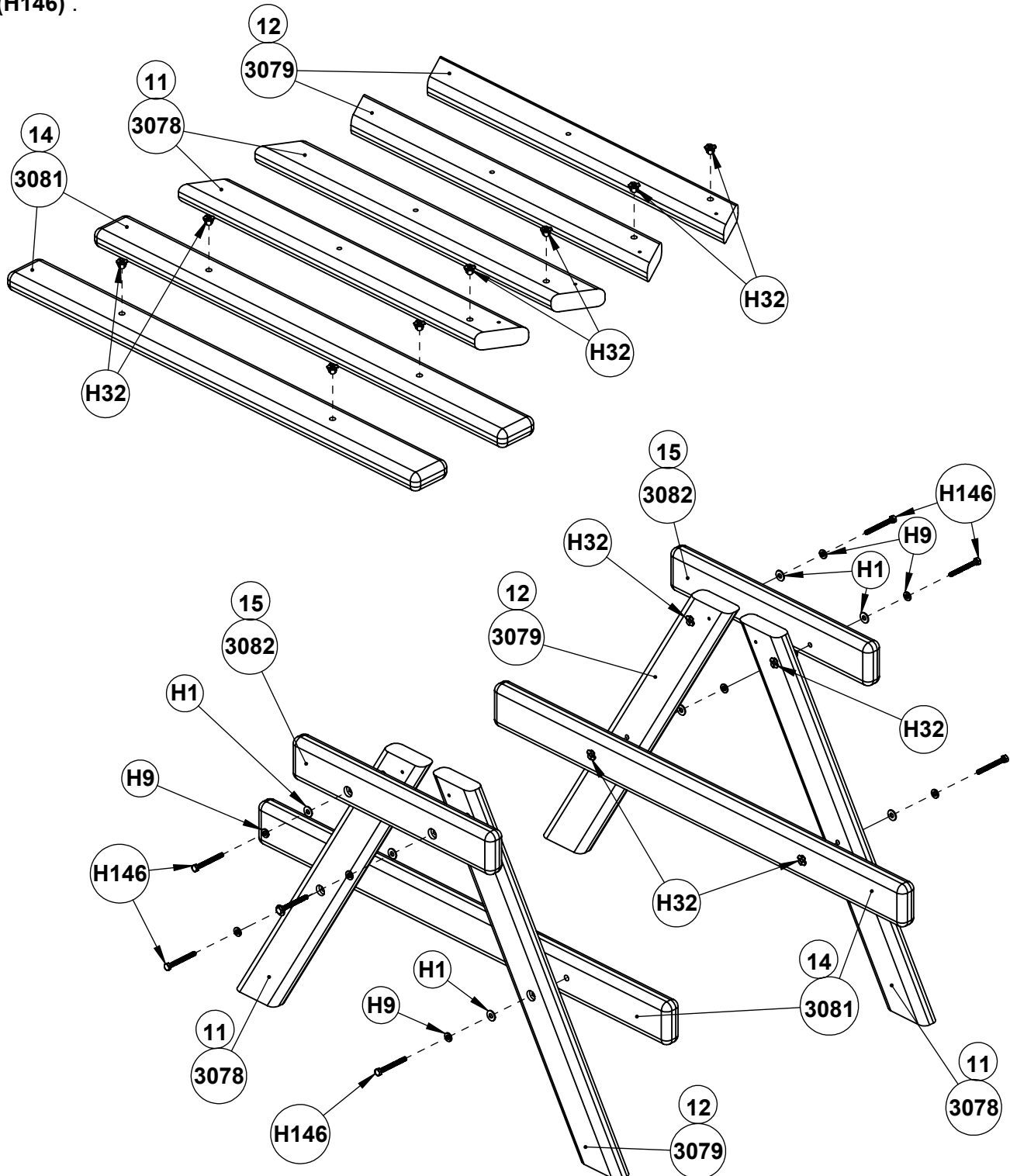
Step 24

Picnic Table Assembly

1. Place Left Table Legs (11) (3078), Right Table Legs (12) (3079) and Seat Supports (14) (3081) on a hard surface and pound in T-Nuts (H32) with a hammer.

***NOTE: Counter-sunk holes on Table Legs (11) (3078) (12) (3079) must be facing down.**

2. Line up holes on Left Table Legs (11) (3078), Right Table Legs (12) (3079), Seat Supports (14) (3081) and Table Supports (15) (3082) (as shown) and attach using 1/4" Hardware (H1) (H9) (H32) (H146).

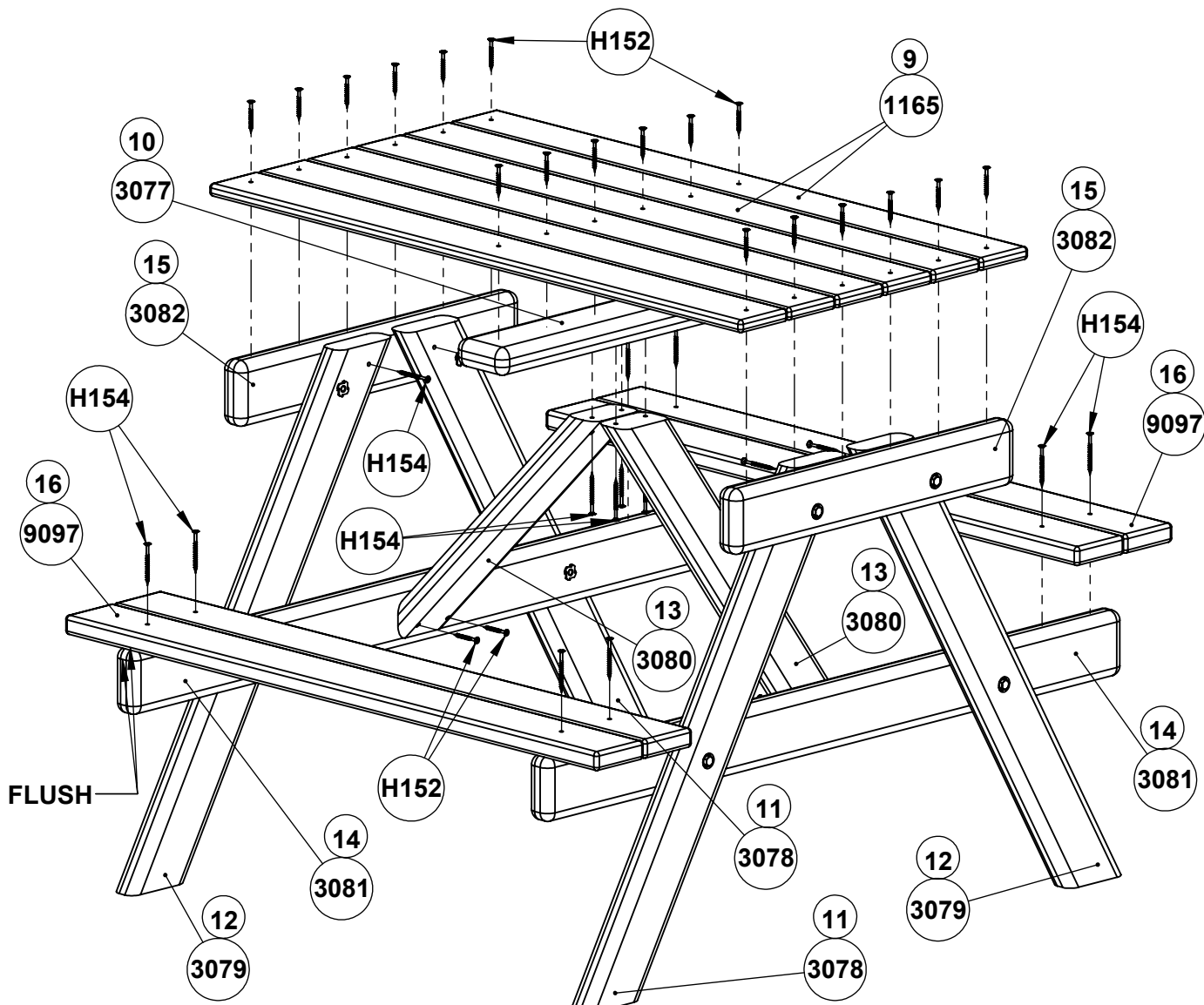


Step 25

Picnic Table Assembly

***NOTE: Assembling Picnic Table on a hard level surface will help ensure that the Table is square.**

1. Stand Leg assemblies up and center Seat Boards (16) (9097) on Seat Supports (14) (3081). Seat Boards (16) (9097) should overhang $3 \frac{5}{16}$ " on the ends and the edges of Seat Boards (16) (9097) and Seat Supports (14) (3081) must be flush (as shown). Attach Seat Boards (16) (9097) to Seat Supports (14) (3081) using #8 Hardware (H154).
2. Center Table Boards (9) (1165) on Table Supports (15) (3082) and attach using #8 Hardware (H152). There should be no gaps between Table Boards (9) (1165) when attached properly.
3. Insert Screws (H154) into holes on Left Table Legs (11) (3078) and Right Table Legs (12) (3079) and attach to Table Supports (15) (3082) using #8 Hardware (H154).
4. Center and attach Table Runner (10) (3077) on the bottom side of Table Boards (9) (1165) using #8 Hardware (H152).
5. Position Table Braces (13) (3080) so they are centered on Seat Supports (14) (3081) and Table Runner (10) (3077) and attach using #8 Hardware (H152) (H154).



Step 26

Glider Assembly

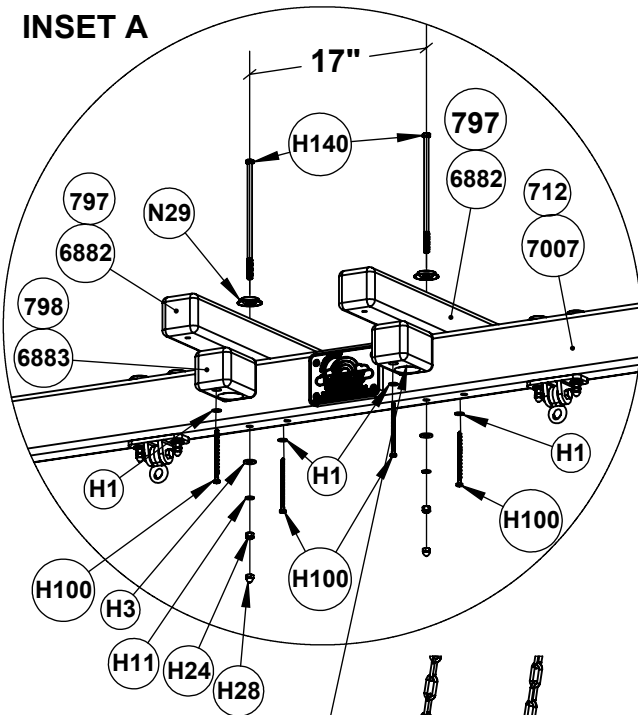
***NOTE:** Glider Assembly comes with its own Hardware Bag.

***NOTE:** Glider may be installed in any position on swing beam.

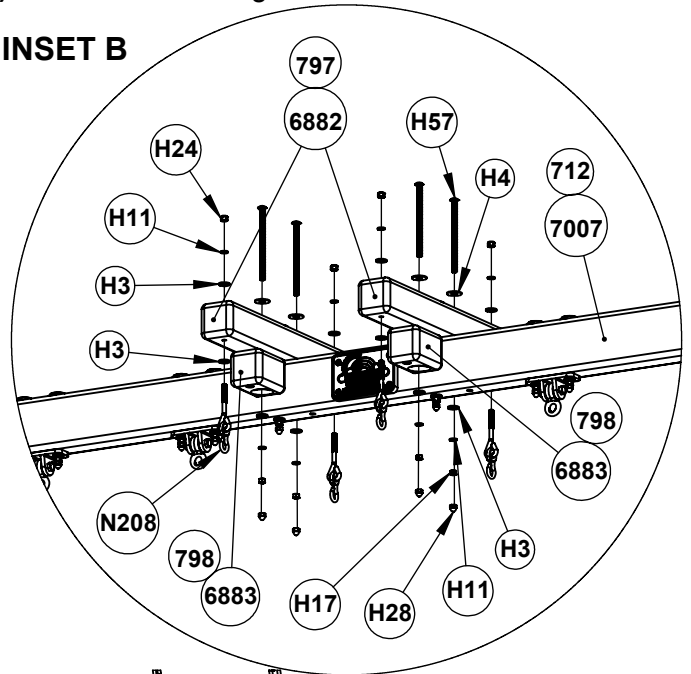
***NOTE:** Use outside swing hanger hole for one Glider Block (797) (6882) and inside swing hanger hole for other Glider Block (797) (6882). Spacing between center hole in Glider Blocks (797) (6882) must be 17" (as shown in Inset A).

1. Position Glider Blocks (797) (6882) on Swing Beam (712) (7007) (as shown in Inset A). Attach using Bolt Cups (N29) and 3/8" Hardware (H3) (H11) (H24) (H28) (H140).
2. Position Lower Glider Blocks (798) (6883) against Swing Beam (712) (7007) on each side of beam (as shown in Inset A) and attach to Glider Blocks (797) (6882) using 1/4" Hardware (H1) (H100).
3. Match drill holes in Lower Glider Blocks (798) (6883) through Glider Blocks (797) (6882) using a 7/16" drill bit as shown.
4. Use 1/2" Hardware (H4) and 3/8" Hardware (H3) (H11) (H17) (H28) (H57) to finish attaching Glider Blocks (797) (6882) (as shown in Inset B).
5. Attach Swing Hangers (N208) to Glider Blocks (797) (6882) with 3/8" Hardware (H3) (H11) (H24).
6. Position the Glider Seat (G1) ends into the socket of Glider Handles (G2) and attach (as shown) using provided Hardware (G3) (G4) (G5) (G6) (G7) found in Glider Bag.

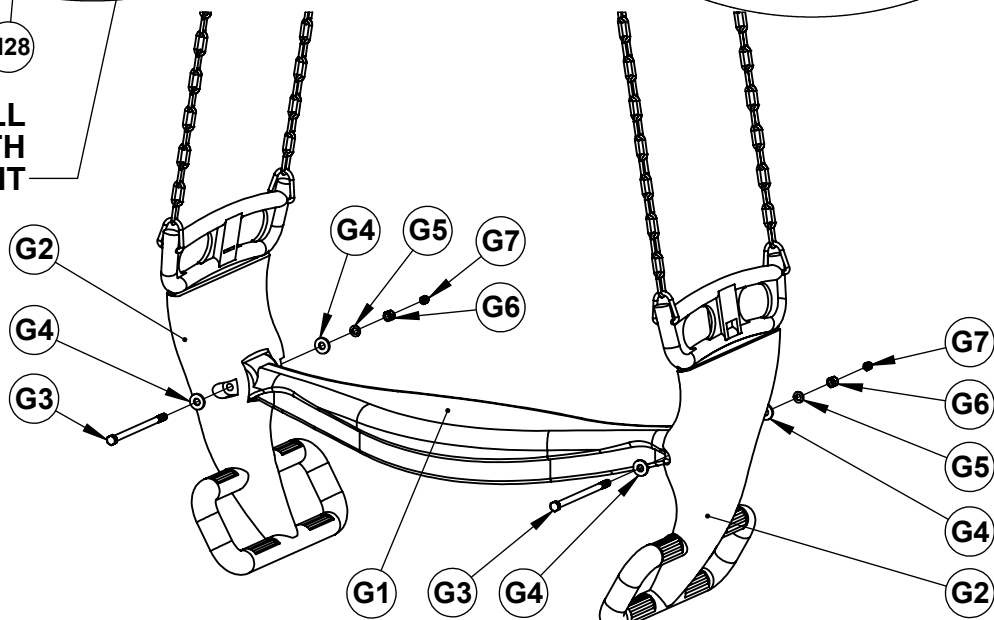
INSET A



INSET B



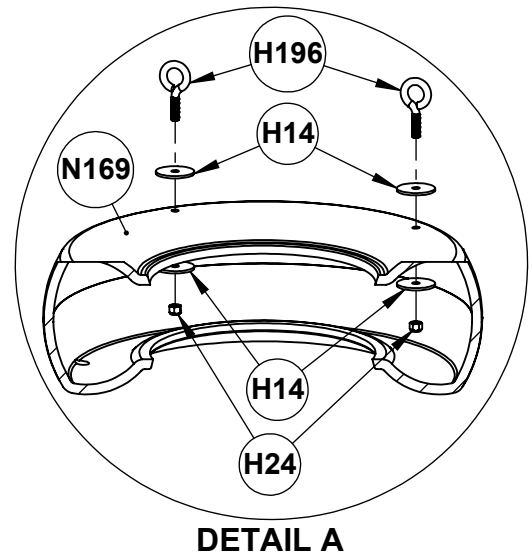
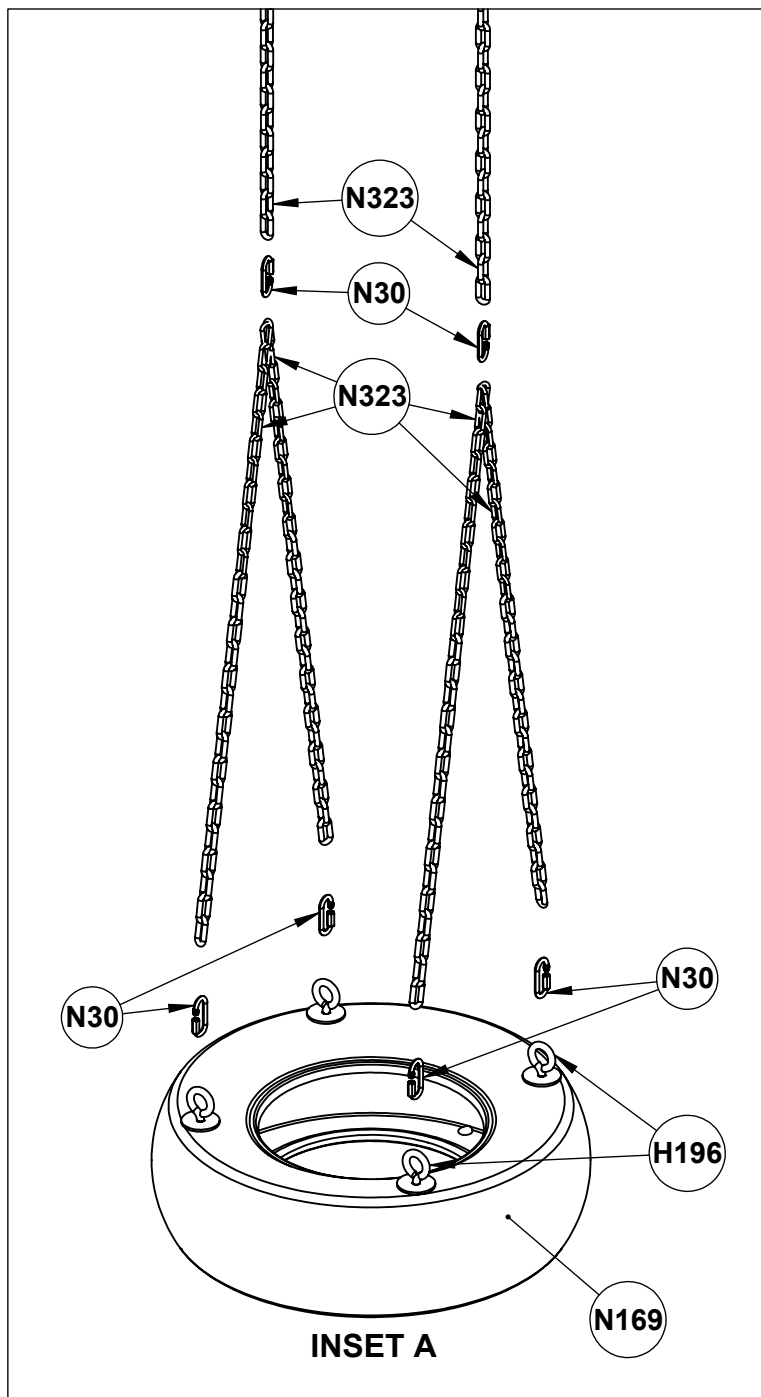
MATCH DRILL HOLE WITH 7/16" DRILL BIT



Step 27

4-Chain Tire Swing Assembly

1. Attach Eye Bolts (H196) to Tire (N169) using 3/8" Hardware (H14) (H24) (as shown in Detail A).
2. Open C-Links (N30). Divide the six Chains (N323) into groups of three chains. Connect each group of Chains (N323) together using C-Links (N30) (as shown in Inset A).
3. Attach Chains (N323) to Eye Bolts (H196) using C-Links (N30) (as shown in Inset A).
4. Securely close all C-Links (N30) by tightening with a crescent wrench.



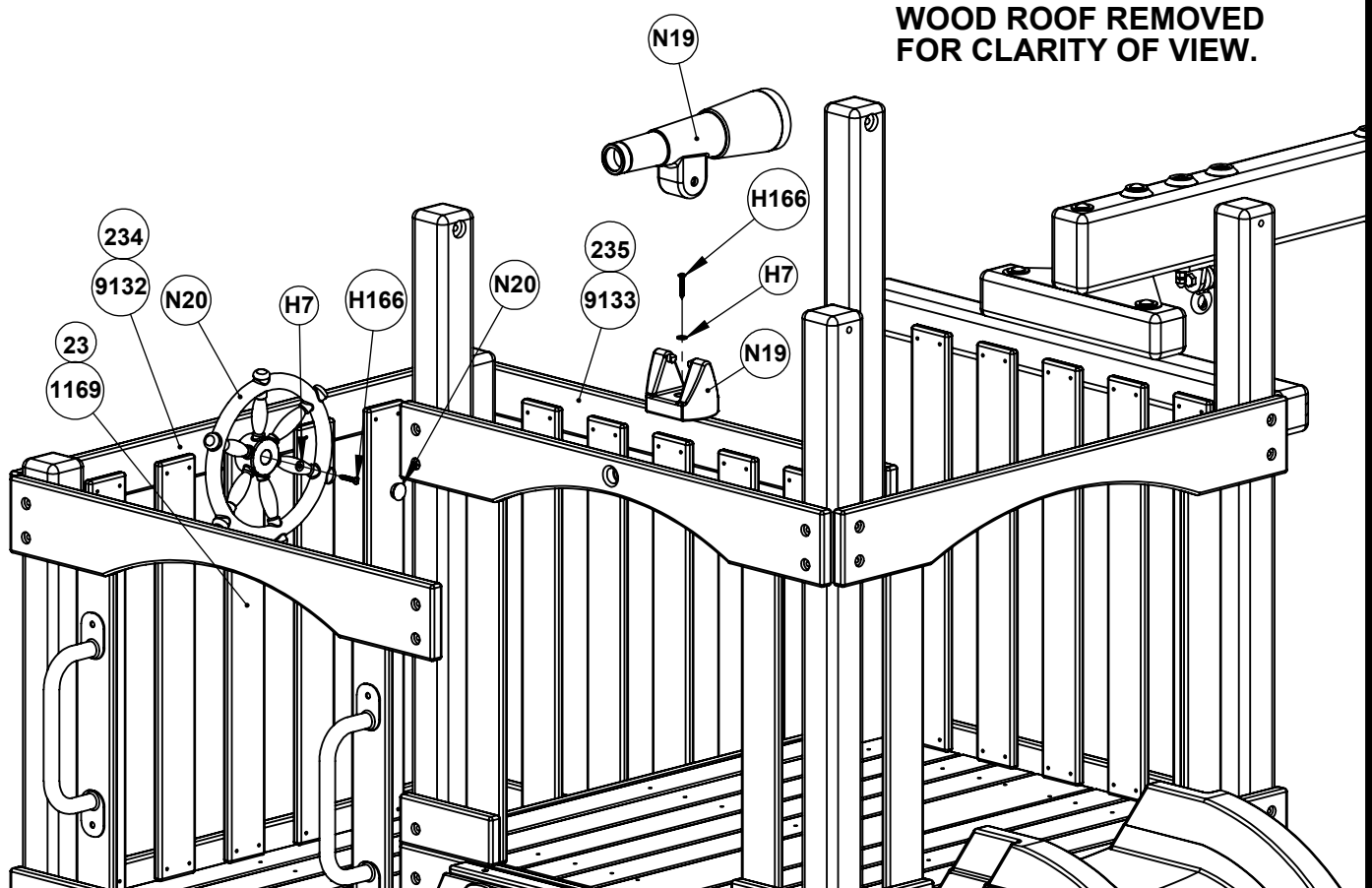
Step 28

Telescope and Ship's Wheel Installation

***NOTE:** Pre-drill 1/4" holes for #14 Hardware (H166).

***NOTE:** Do not fully tighten hardware. Ship's Wheel and Telescope should rotate freely.

1. Position Ship's Wheel (N20) against Rail Upright (23) (1169) and attach using 1/4" Hardware (H7) and #14 Hardware (H166). Be sure that #14 Hardware (H166) goes through Rail Upright (23) (1169) and into Facia (234) (9132). Snap cap into place.
2. Center Base of Telescope (N19) on Facia (235) (9133) and attach using 1/4" Hardware (H7) and #14 Hardware (H164). Snap Telescope (N19) into base.

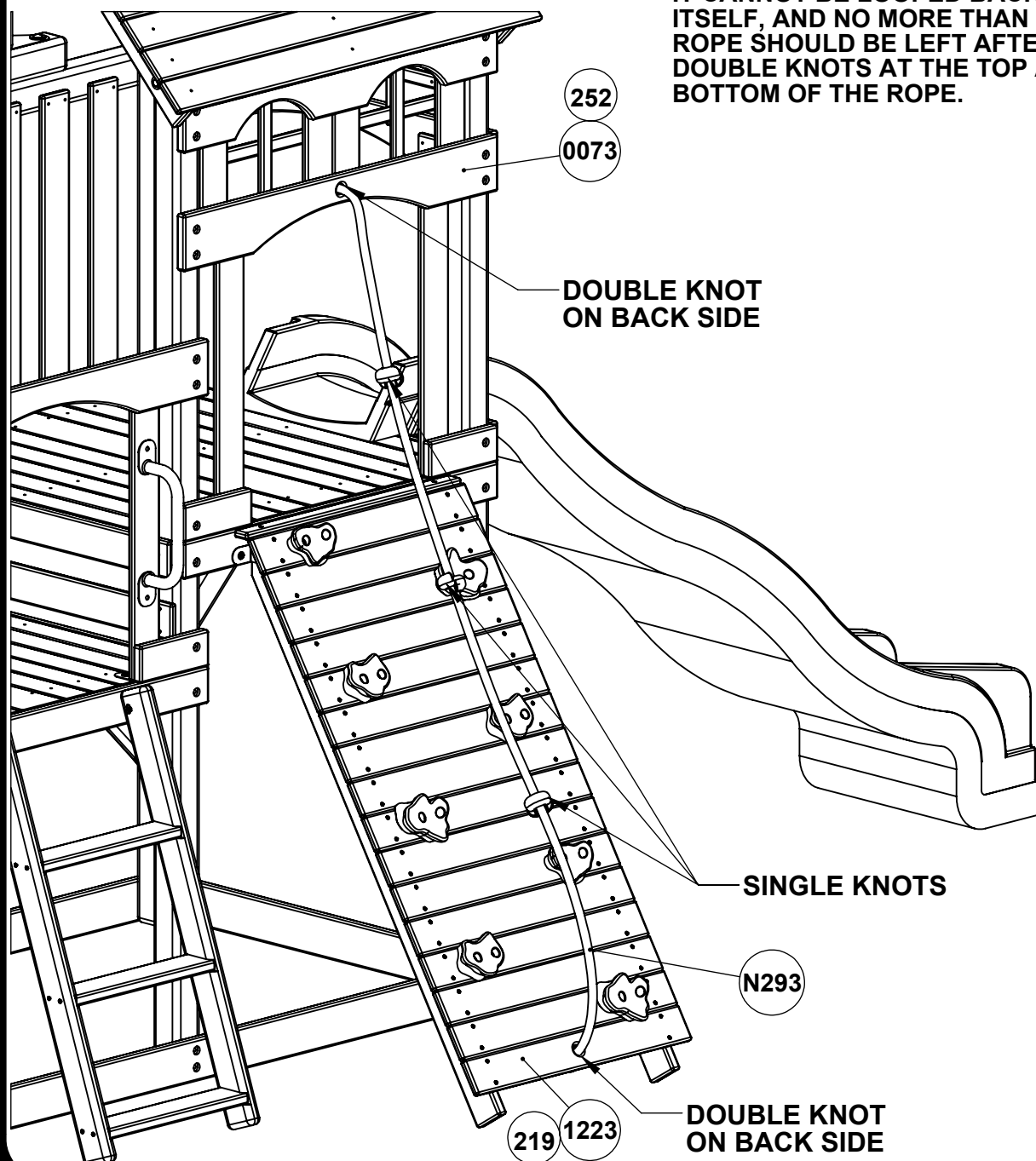


Step 29

Rock Wall Rope Installation

1. Thread Rope (**N293**) though Rock Wall Board w/Hole (**219**) (**1223**) and tie a double knot on the back side of the Rock Wall Board. Tie three single knots evenly throughout the Rope.
2. Thread Rope through Facia w/Rope Hole (**252**) (**0073**) and tie a double knot on the back side of Facia.

***WARNING: TO PREVENT THE RISK OF STRANGULATION, THREE KNOTS MUST BE TIED IN ROPE AND ROPE MUST BE SECURE AT BOTH ENDS. ROPE MUST BE TIGHT ENOUGH THAT IT CANNOT BE LOOPED BACK ON ITSELF, AND NO MORE THAN 12" OF ROPE SHOULD BE LEFT AFTER TYING DOUBLE KNOTS AT THE TOP AND BOTTOM OF THE ROPE.**



Step 30

Stake Installation

***WARNING: ALL UNDERGROUND UTILITIES MUST BE LOCATED BEFORE ANCHORING PLAYSET.**

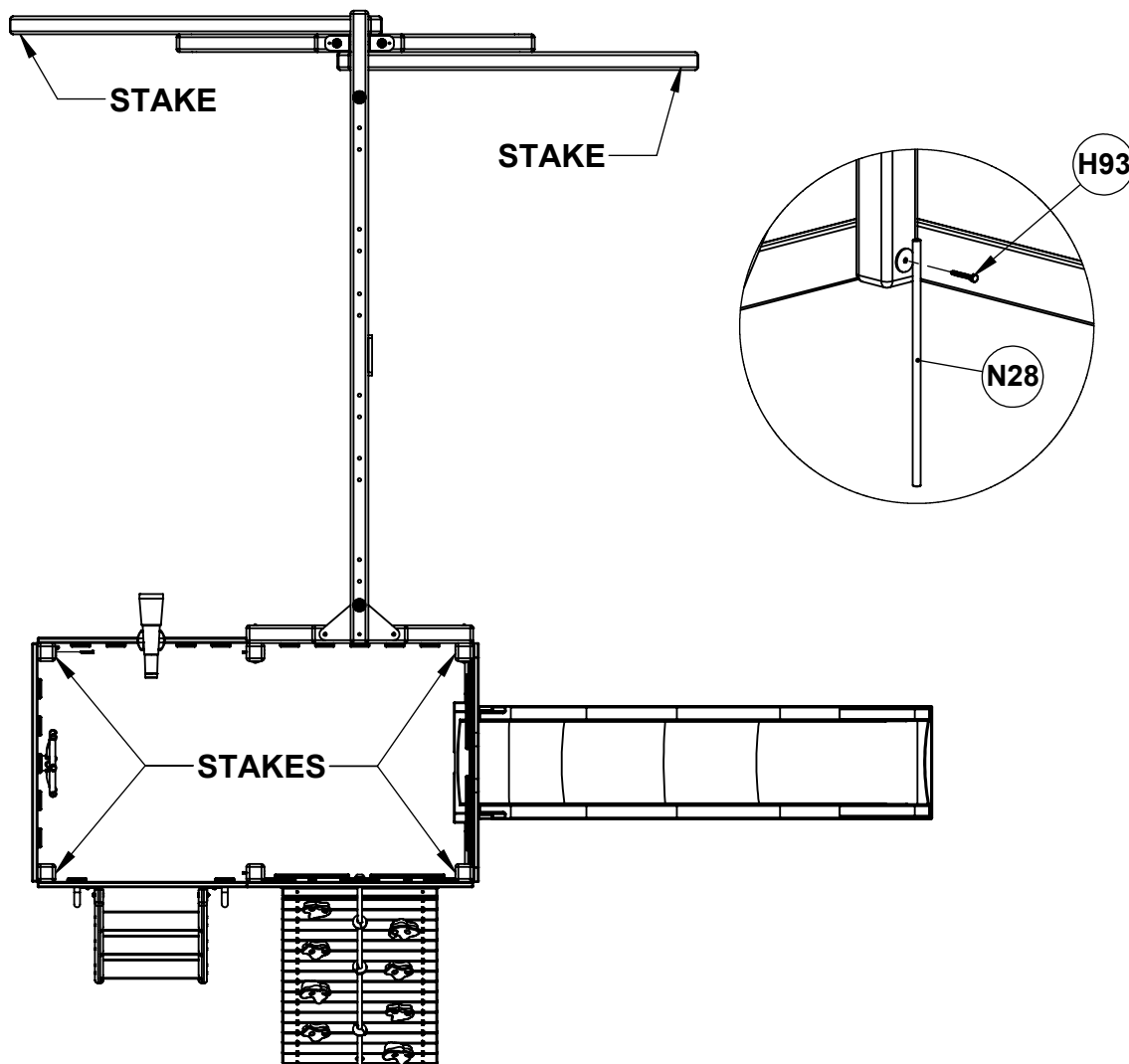
***NOTE: Pre-drill 1/8" holes for all 1/4" Lag Bolts.**

1. Drive Stakes (N28) into the ground (in locations shown) and attach to Corner Uprights and Swing Beam A-Frame Legs using 1/4" Hardware (H93). Stakes should stick out 2"-4" above the ground.

***NOTE: Stakes must be as close as possible to the Corner Uprights and A-Frame Legs.**

***NOTE: For maximum strength, drive Stakes into the ground at a slight angle.**

***CAUTION: Do not hit washer while pounding the stakes into the ground. This may cause washer to break off.**

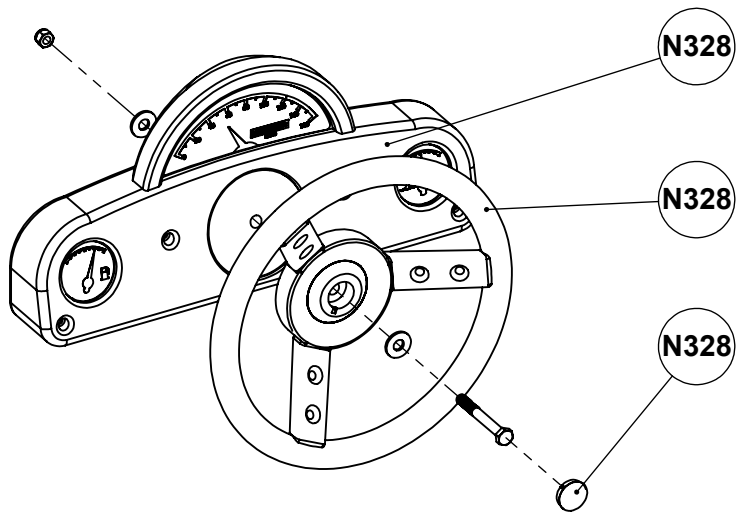


Step 31

Driving Panel Installation

***NOTE:** All Hardware used in these steps will be included in the Driving Panel bag.

1. Attach Steering Wheel (N328) to Driving Panel (N328) using Hex Head Bolt, Washers and Nut, provided in Driving Panel bag.
2. Snap Steering Wheel Cap (N328) into Steering Wheel (N328).

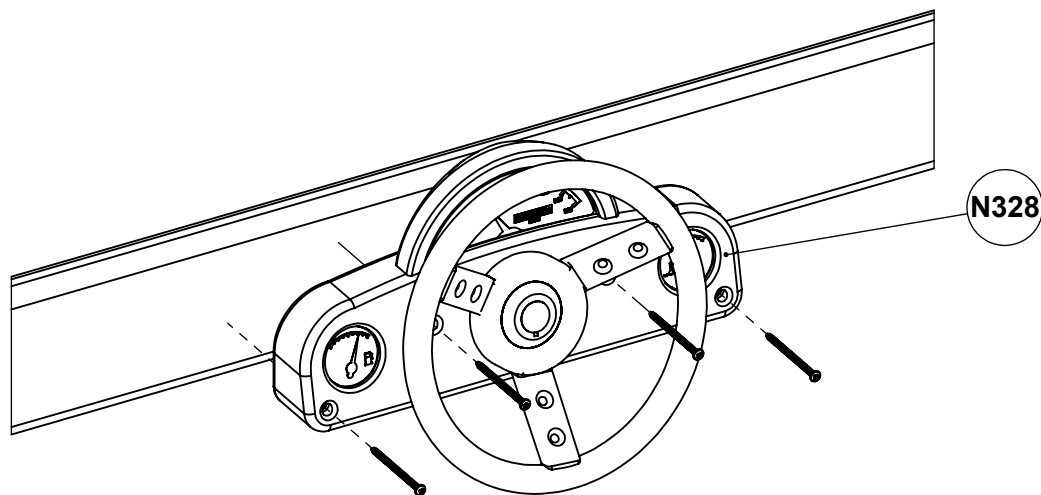


Step 32

Driving Panel Installation

***NOTE:** Ensure that wherever the Driving Panel is mounted, that the attachment Hardware does not stick out the back.

1. Attach the Driving Panel assembly (N328) using Screws provided in the bag.

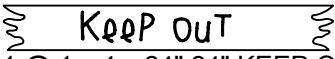

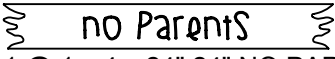
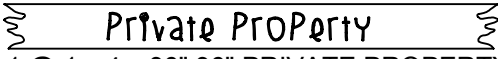


Step 33

Wacky Sign Board Installation

Wacky Sign Board Parts List

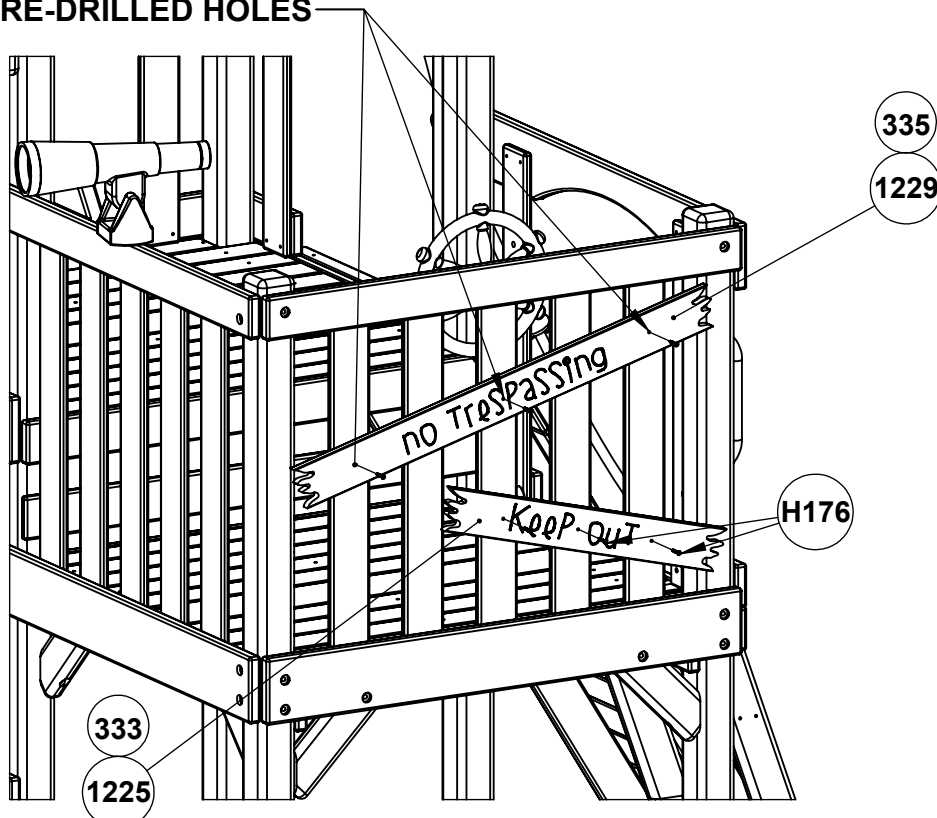
<u>F/N#</u>	<u>DESCRIPTION</u>	<u>DIMENSION</u>	<u>QTY</u>	<u>FOUND IN</u>
H176	Phillips Wood Screw	#8 x 1"	12	5-46-0808

- | | |
|---|--|
| <p>(333) 
 (1225) 1 @ 1 x 4 x 24" 24" KEEP OUT (1-01-0225)</p> | <p>(335) 
 (1229) 1 @ 1 x 4 x 36" 36" NO TRESPASSING (1-01-0229)</p> |
| <p>(334) 
 (1226) 1 @ 1 x 4 x 24" 24" NO PARENTS (1-01-0226)</p> | <p>(336) 
 (1230) 1 @ 1 x 4 x 36" 36" PRIVATE PROPERTY (1-01-0230)</p> |

***NOTE:** Wacky Sign Boards may be positioned and attached anywhere on set as long as there is enough room to properly attach boards.

1. Position Wacky Sign Boards (333) (1225) (334) (1226) (335) (1229) (336) (1230) against the Uprights that they are being attached to and make marks for a Qty. of three pre-drilled holes per board.
***NOTE:** Pre-drilled holes should line up approximately in the center of the Uprights when possible.
2. Using a 3/16" drill bit, pre-drill through Wacky Sign Boards (333) (1225) (334) (1226) (335) (1229) (336) (1230), on previously made marks.
3. Reposition Wacky Sign Boards against Uprights and attach using #8 Hardware (H176).

PRE-DRILLED HOLES



Limited One-Year Warranty & Limited Five-Year Prorated Warranty

Super Funhouse

Please supervise your children's play activity and maintain your play equipment periodically as specified in the owner's manual.

Subject to proper installation and normal residential use, Rainbow Play Systems, Inc. warrants to the original retail purchaser:

• all **NON-WOODEN PARTS** (including, but not limited to, all swing and trapeze assemblies, rope, powder-coated parts [brackets, rungs and handles], rocks, and accessories) will be free from defects in material and workmanship for a period of **ONE YEAR** from the date of purchase. For purposes of any warranty offered by Rainbow Play Systems, Inc., the following are not considered defects in materials and workmanship if they do not affect the functionality or structural integrity of the component or system: (1) cosmetic cracks in plastic components; (2) surface rust on hardware or powder-coated components; and (3) fading of any component or accessory. Merchandise covered under this limited one-year warranty will be repaired or replaced, at Rainbow Play Systems, Inc. option and shipped at the customer's expense to the customer per Rainbow Play Systems, Inc. normal method and timing of shipments. Expedited shipping to the customer's home must be fully prepaid by the customer prior to shipment. Any warranty work that must be performed on site does not qualify under the warranty specification and will be billed directly to the purchaser.

• all **WOODEN COMPONENTS** against structural failure due to wood rot or insect infestation pursuant to a **FIVE-YEAR PRORATED WARRANTY** from the date of purchase. Peeling, splintering, minor cracking caused by weather, surface cracks, knot holes and knots are natural characteristics of all wooden play equipment. Such imperfections that do not affect the structural integrity or are caused by everyday wear and tear are not covered under this warranty. Wooden components covered under this limited five-year prorated warranty will be replaced subject to the following prorating schedule of replacement part costs to the customer and shipped to the customer per Rainbow Play Systems, Inc. normal method and timing of shipments. Expedited shipping to the customer's home must be fully prepaid by the customer prior to shipment. Any warranty work that must be performed on site does not qualify under the warranty specification and will be billed directly to the purchaser.

MONTHS	% OF REPLACEMENT PART + COST PAID BY CUSTOMER
1-12	0% plus S&H 30 days after the date of purchase
13-24	20% + S&H
25-36	40% + S&H
37-48	60% + S&H
49-60	80% + S&H
60+	100% + S&H

In addition to paying shipping and handling charges for the warranty parts as specified above, all labor costs, travel expenses and any other charges involved in the installation or replacement of the warranty parts will be your (the original purchaser's) responsibility. The warranty coverage described in this paragraph is the customer's sole and exclusive remedy and lasts only as long as the original purchaser owns the Super Funhouse and terminates if the original purchaser sells or otherwise transfers the unit. Rainbow Play Systems, Inc. will replace any parts within the first 30 days found to be missing from or damaged in the original packaging from date of purchase.

It is recommended that you affix your original sales receipt to the Owners Manual and retain these documents for your records. **NO WARRANTY CLAIMS CAN BE PROCESSED WITHOUT A COPY OF YOUR ORIGINAL SALES RECEIPT FROM AN AUTHORIZED RETAILER.** Rainbow Play Systems, Inc. reserves the right to examine photographs or physical evidence of merchandise claimed to be defective, and to recover said merchandise, prior to disposition of warranty claims. Merchandise returned to our factory for examination or recovery must be shipped freight prepaid. For purposes of any warranty offered by Rainbow Play Systems, Inc., the following are not considered defects in materials and workmanship if they do not affect the functionality or structural integrity of the component or system: (1) non-properly installed equipment (2) installed for non-residential use (3) cosmetic cracks in plastic components; (4) surface rust on hardware or powder-coated components; and (5) fading of any component or accessory without limitation.

USE OF THIS PLAYSET IN ANYTHING OTHER THAN A RESIDENTIAL SETTING OR APPLICATION VOIDS ALL WARRANTY COVERAGES AS DESCRIBED HEREIN. Failure to maintain the play system properly - including, without limitation and by way of example only, not staining the unit or not checking or tightening the hardware as specified in the owner's manual - may cause the warranties described herein not to apply in certain circumstances. No warranty is offered on the following: (1) equipment subjected to abuse, negligence, improper installation, vandalism, acts of God, unauthorized alteration or attachment of equipment other than authorized Rainbow Play Systems, Inc. accessories; or (2) equipment subjected to improper use, service or repair.

(Continued on next page)

Limited One-Year Warranty & Limited Five-Year Prorated Warranty (Continued from previous page)

To the maximum extent permitted by law, this warranty and the remedies set forth herein are exclusive and expressly in lieu of all other warranties, expressed or implied, including warranties of merchantability or fitness for a particular purpose. If Rainbow Play Systems, Inc. cannot disclaim or exclude implied warranties under applicable law, then to the extent possible any claims under any such implied warranties shall expire on expiration of the applicable warranty period. Some states do not allow limitations on how long an implied warranty lasts, so the above limitation may not apply to you. Rainbow Play Systems, Inc. does not assume, or authorize any person to assume for us, any other liability in connection with the sale of our products.

To the maximum extent permitted by law, Rainbow Play Systems, Inc. assumes no responsibility for incidental or consequential damages which may arise from the purchase or use of our equipment. Some states do not allow the exclusion or limitation of incidental or consequential damages, so the above limitation or exclusion may not apply to you.

If any provision of this limited warranty is invalid, void or unenforceable in any instance or respect, the unenforceable provision will be severed and reformed to affect the intent of this limited warranty to the maximum extent possible, and the remaining provisions shall continue in full force and effect and shall be enforced to the full extent permitted by law.

This warranty gives you specific legal rights, and you may also have other rights, which vary from state to state.

Rainbow Play Systems, Inc. reserves the right at any time to change product specifications or substitute similar components.

PLEASE REGISTER YOUR PRODUCT ONLINE at <http://register.rainbowplay.com> WITHIN 30 DAYS OF INSTALLATION OF YOUR PLAY SET. THIS REGISTRATION WILL BE USED ONLY FOR INTERNAL RECORDKEEPING PURPOSES AND TO VERIFY ORIGINAL OWNERSHIP OF YOUR PLAY SET.