



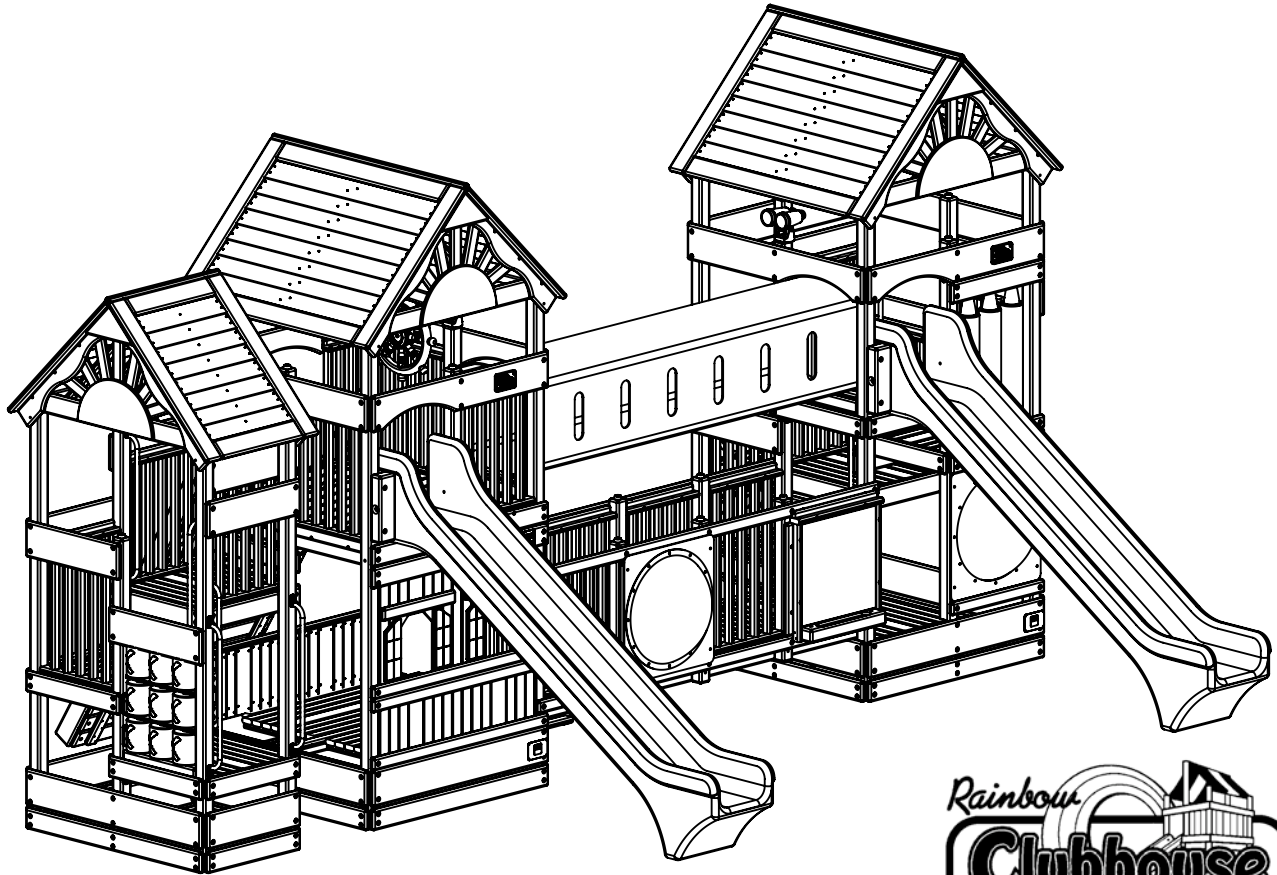
Euro Commercial Clubhouse

Assembly Instructions

5-70-0267

(Rev 0 - 4/11/2011)

Contains Assembly, Use, and Maintenance Instructions



NOTICE: This commercial play structure is intended for use by children ages 5-12.

⚠ WARNING: This manual contains important information about how to assemble, locate, use, and maintain this playground equipment. Read this manual before you start assembly. Follow all instructions. Be sure to educate all children who use this playground and all adult supervisors about the rules for safe use that are contained in this manual.

Keep this Manual for future reference and to remind you of how to safely use and maintain this equipment.

RAINBOW RESERVES THE RIGHT TO MAKE CHANGES AND MODIFICATIONS TO THIS PRODUCT.

COPYRIGHT 2011 RAINBOW PLAY SYSTEMS, INC. ALL RIGHTS RESERVED

Welcome to RAINBOW

IT IS VERY IMPORTANT YOU READ THIS ENTIRE MANUAL PRIOR TO INSTALLATION!

Welcome to our ready-to-build commercial play structures. Ease of assembly has been pre-engineered into our product. We provide step-by-step installation and maintenance instructions so more time can be spent playing!

Purchaser and Contractor: Reading this entire manual will help to ensure the safety of the children who will be playing on the equipment after installation of the structure has been completed.

Purchaser/Maintenance Manager: Keep these instructions on file for future reference. Retaining and referencing this manual will provide proper maintenance and inspection recommendations for the play structure. This manual will provide a necessary and useful reference when submitting any warranty information for replacement parts.

Storage Notification: Play structures should be installed as soon as possible (within a few days) when received at the intended job site location. If immediate installation is not possible, equipment should be stored in a controlled environment (warehouse, garage, storage containers, etc...) to reduce the likelihood of damage due to exposure and/or improper storage.

Play Structure Site Planning

When selecting your play site, always keep the child's safety in mind. Below are some recommendations that should help you achieve a safe play area.

1. Determine the location intended for the play structure to be installed. Reference the plan view, provided in this manual, for your play structure to determine the "use zone" boundaries required for your play structure. Locate all structures within your site to ensure "use zone" clearances and guidelines are met as specified in this manual.
2. The play system should be located on solid level ground free of objects that could cause injury such as, but not limited to, tree stumps, roots, and large rocks. Stationary components such as ladders and slides must be no less than SIX FEET (1.8 meters) from any structure or obstruction such as a fence, garage, house, tree or overhanging branches, electrical wires or clotheslines. Any swinging equipment must be a minimum distance of TWICE the height of the swing beam away from any structures or obstructions as specified above. We also recommend that you do not install your play system near a lake, river, swimming pool or other water hazards.
3. All objects that could cause injury such as, but not limited to, asphalt, concrete, rocks, trees, roots, fences, overhanging branches, and other hard structures must be removed or relocated from the intended site prior to installation.
4. Ensure site is graded level to create the safest possible play environment. The customer and contractor are responsible for ensuring the local soil conditions allow proper drainage from the play structure and area of play. Special preparations may need to be completed prior to the installation to ensure proper drainage can be achieved. Inquire with local contractors and city developers in your area for recommendations.
5. If anchoring your play system, all underground utilities must be located in the use zone prior to assembly of the play structure.
6. Try to locate the slide out of direct sunlight to reduce the likelihood of serious burns. A slide that faces north will receive the least direct sunlight.
7. It is recommended not to place a set on sandy soil or loose fill as it may require additional anchoring in that situation.
8. Do not install your play system over concrete, asphalt, packed earth, grass, carpet, or any other hard surface. A fall onto a hard surface can result in serious injury to the play structure user.
9. If the job site must be left unattended or build of structure is not complete, rope or fence off all unfinished equipment to keep children from using equipment until the play structure is completed and ready for use.

Choosing a Surfacing Material

The consumer shall provide playground surfacing materials under and around commercial play equipment that conforms to the recommendations of the U.S. Consumer Product Safety Commission's Public Playground Safety Handbook publications #325. A copy of the section relating to surfacing materials is included in the installation instructions. Free copies of this handbook are available on line at www.cpsc.gov or by contacting the CPSC Publications Office in Washington D.C. 20207.

The entire use zone, around and underneath the play structure, must have adequate impact attenuating surfacing material. The surfacing material provider should have a specified Critical Height Value for the surfacing material. The Critical Height rating should be at least the height of the highest designated play surface on the equipment. The Rainbow Play Systems Commercial Play Structures have a Critical Fall Height of 6'. Determine adequate surfacing based on ratings in accordance with A.S.T.M. Standard F1292. Contact the American Society for Testing and Materials (ASTM) by calling 610-832-9585, or their website at ww.astm.org to receive a copy of the A.S.T.M. Standard F1292.

There are two primary options available for surfacing public playgrounds: unitary and loose-fill materials. If unitary options are used, contact the manufacturer for the critical height rating for their products. If loose-fill materials are used, refer to Table 2 of the CPSC Public Playground Safety Handbook for critical height values of suggested materials. Rainbow Play Systems recommends a minimum of 10 inches of loose-fill material. It is recommended to use containment, such as digging out around the perimeter and/or lining the perimeter with landscape edging for surfacing materials.

The following information is intended to assist in comparing the relative shock-absorbing properties of various materials. No particular material is recommended over another. However, each material is only effective when properly maintained. Materials should be checked periodically and replenished to maintain correct depth as determined necessary for your equipment. The choice of a material depends on the type and height of your playground equipment, the availability of the material in your area, and its cost.

Table 3.1 from Tips for Public Playground Safety publications #324 from U.S. Consumer Product Safety Commission has been provided below. This table lists the maximum height from which a child would not be expected to sustain a life-threatening head injury in a fall onto four different loose-fill surfacing materials if they are installed and maintained at depths of 6, 9, and 12 inches. However, it should be recognized that all injuries due to falls cannot be prevented no matter what surfacing material is used.

TABLE 3.1 Fall Height in Feet From Which a Life Threatening Head Injury Would Not Be Expected

Type of Material	6 in. depth	9 in. depth	12 in. depth
Double Shredded Bark Mulch	6 ft.	10 ft.	11 ft.
Wood Chips	6 ft.	7 ft.	12 ft.
Fine Sand	5 ft.	5 ft.	9 ft.
Fine Gravel	6 ft.	7 ft.	10 ft.

This table can be found at: <http://www.cpsc.gov/CPSCPUB/PUBS/Playfct.pdf>

TABLE 2. Minimum Compressed Loose-fill Surfacing Depths

Inches	of	Loos-Fill Material	protects to	Fall Height (feet)
6*		Shredded/recycled rubber		10
9		Sand		4
9		Pea Gravel		5
9		Wood mulch (non-CCA)		7
9		Wood chips		10

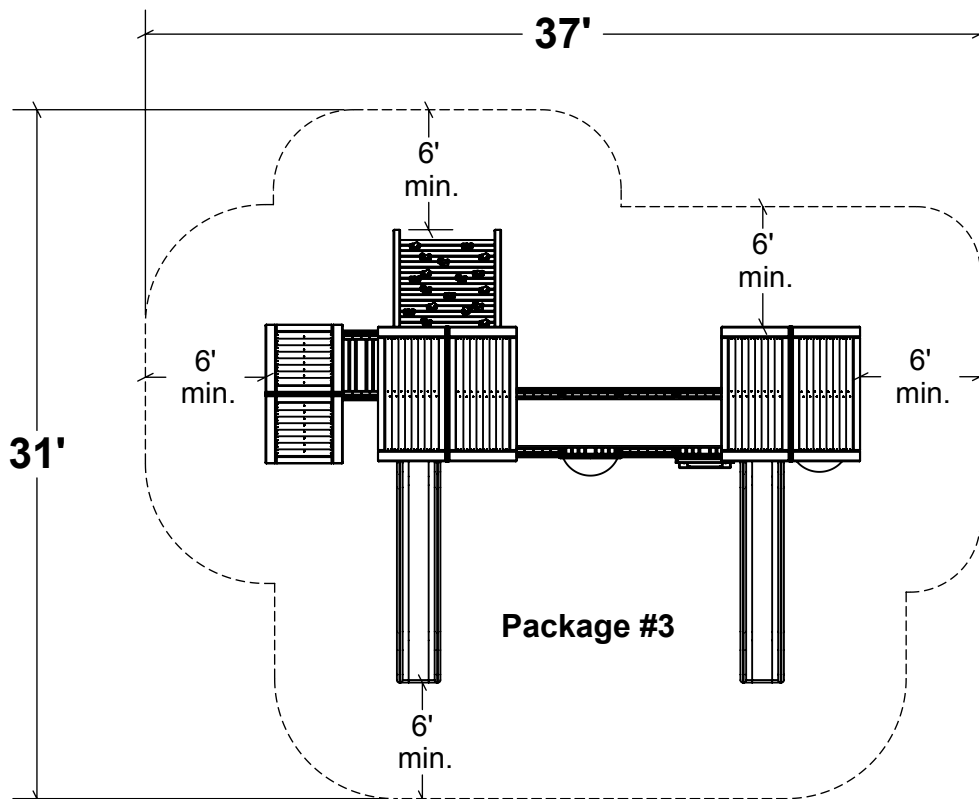
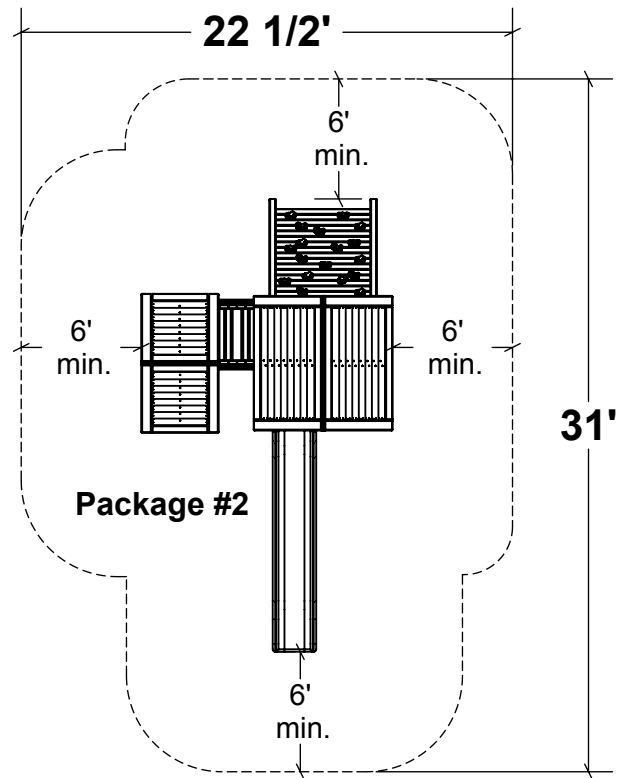
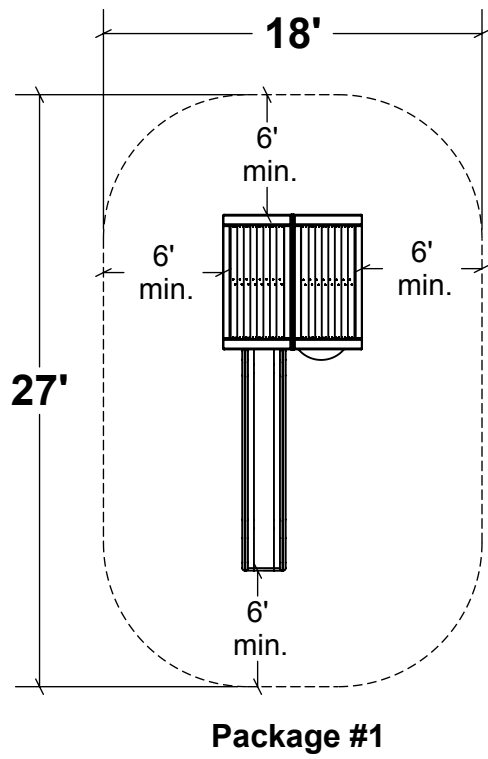
*Shredded/recycled rubber loose-fill surfacing does not compress in the same manner as other loose-fill materials. However, care should be taken to maintain a constant depth as displacement may still occur.

This table can be found at: <http://www.cpsc.gov/cpscpub/pubs/325.pdf>

Commercial Clubhouse Data

Package #	Set Dimensions (W x L x H)	Play Zone	Critical Fall Height	Number of Children	Maximum Combined Weight
1	15' x 6' x 12 1/2'	27' x 18'	6'	12 - 16	2160 lbs.
2	19' x 10 1/2' x 12 1/2'	31' x 22 1/2'	6'	24 - 30	4050 lbs.
3	19' x 25' x 12 1/2'	31' x 37'	6'	44 - 50	6750 lbs.

PLAY STRUCTURE USE ZONES



Assembly safety

1. **Wear safety glasses to protect your eyes from flying wood chips when drilling or cutting.**
2. **Verify that all bolts and screws are secured tightly and all acorn nuts are snug** (acorn nuts should be tightened to 5 foot pounds of torque).
3. **DO NOT** allow children to play on the play system until it is completely assembled in a proper location.
4. **DO NOT** allow children in the area while you are assembling your play system. Many of the Rainbow Play Systems, Inc. components are very heavy and could seriously injure a child.

Rules for Safe Play

The quality of the supervision depends on the quality of the supervisor's knowledge of safe play behavior. Parents and playground supervisors should be aware that not all playground equipment is appropriate for all children who may use the playground. Supervisors should review posted signs indicating the appropriate age of the users and direct children to equipment appropriate for their age. Play structures that are designed, installed, and maintained in accordance to the standards and guidelines specified and referenced in this manual can still present hazards to children in the absence of adequate supervision.

NOTE: This product is designed for children 5-12 years of age.

WARNING: Before allowing children to play on this equipment for the first time, carefully review the rules for safe play with them. Observing the following statements and warnings reduces the likelihood of a serious or fatal injury.

1. **DO NOT EXCEED** the specified maximum children and weight specifications for your play structure.
2. **CLOSE ADULT SUPERVISION** is required, especially for younger children.
3. **WARN CHILDREN TO AVOID** playing or walking in front of, behind, or between moving equipment and slides.
4. **INSTRUCT CHILDREN NOT TO** use any part of the play system in a manner other than what it is intended.
5. **DRESS CHILDREN APPROPRIATELY. CHILDREN SHOULD NOT** wear scarves, hats with straps, helmets, jackets with draw strings, hooded jackets, poorly fitting shoes, or any other loose fitting clothing which could become entangled or snagged on equipment.
6. **INSTRUCT CHILDREN NOT TO** play on the equipment if it is wet. Potentially slippery surfaces may cause a hazard.
7. **INSTRUCT CHILDREN NOT TO** attach items to the play system not specifically intended for use with the play equipment. Items such as, but not limited to, jump ropes, clotheslines, and pet leashes may pose a strangulation hazard.
8. **INSTRUCT CHILDREN TO REMOVE** any bike or other sports helmets before playing on the play equipment, as they may pose a possible hanging hazard. Children must be dressed appropriately.
9. **VERIFY** there are no gaps between the slide bed way and the slide screws.
10. **INSTRUCT CHILDREN** to always go down slides feet first. Never slide head first.
11. **INSTRUCT CHILDREN TO NEVER** climb, crawl, or walk on items not intended for such use. Such types of play on top of Crawl Tunnels, Fort Roofs, and Tube Slides greatly increase the risk of a serious or fatal fall.

Maintenance of Your Play Structure

Rainbow Play Systems recommends owners and maintenance managers obtain the most recent copy of the Handbook for Public Playground Safety published by the U.S. Consumer Product Safety Commission (CPSC). The recommendations provided in this guidebook will help to ensure greater playground safety. You may obtain a copy of this guidebook by visiting their website at www.cpsc.gov.

Inadequate and lack of maintenance on playground equipment can result in serious injury! Regular inspection, maintenance and replacement of damaged parts is essential to the users' safety and the longevity of the equipment. The safety of playground equipment is dependant on proper inspection and maintenance. To ensure safety and suitability of the playground equipment, a comprehensive inspection and maintenance program should be developed for your playground. Personnel should be thoroughly trained to inspect playground equipment for potential hazards, paying special attention to heavily used equipment and components which can be expected to wear. Any damaged or worn parts not suitable for use should be repaired or replaced before children are allowed to use the playground equipment.

All maintenance inspections and repairs should be properly documented and retained.

The provided checklists are intended to address general maintenance concerns, they are not a comprehensive maintenance and safety evaluation.

Maintenance Checklist

Daily

- Remove all foreign objects (strings, ropes, bottles, cans, etc.) from the play structure and use zone surrounding the play structure.
- There are no user modifications to the equipment, such as strings and ropes tied to equipment.
- Rake loose-fill surfacing to maintain adequate depth of loose-fill surfacing and to keep loose-fill surfacing from becoming compacted.
- There are no broken or missing components rendering the equipment not suitable for use.

Weekly

- There are no sharp points, corners or edges on the equipment.
- There are no missing or damaged protective caps or plugs.
- There are no hazardous protrusions or projections.
- There are no potential clothing entanglement hazards such as protruding bolts.
- There are no trip hazards, such as anchoring devices, rocks, roots, or any other obstacles in the use zone.
- There are no loose fastening devices or worn connections.

Monthly

- Adequate protective surfacing under and around the equipment
 - o Add new surfacing as needed
- There is no rust, rot, cracks, or splinters on any equipment (check carefully where it comes in contact with the ground).
- There are no damaged fences, benches, or signs on the playground.
- All equipment is securely anchored.
- There are no pinch, crush and shearing points or exposed moving parts.
- The entire play area has satisfactory drainage, especially in heavy use areas such as under swings and at slide exits.

Notes/Action Taken:

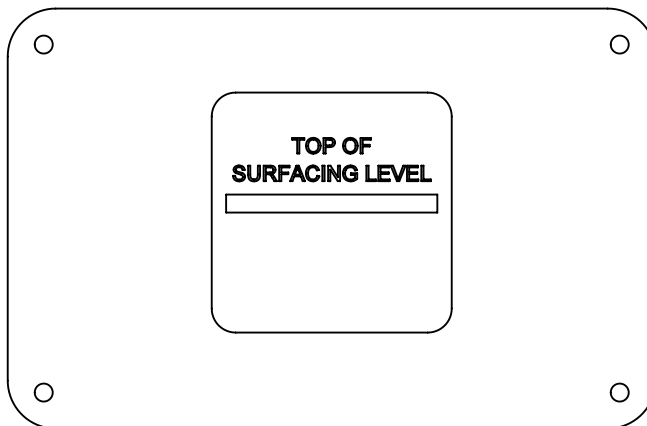
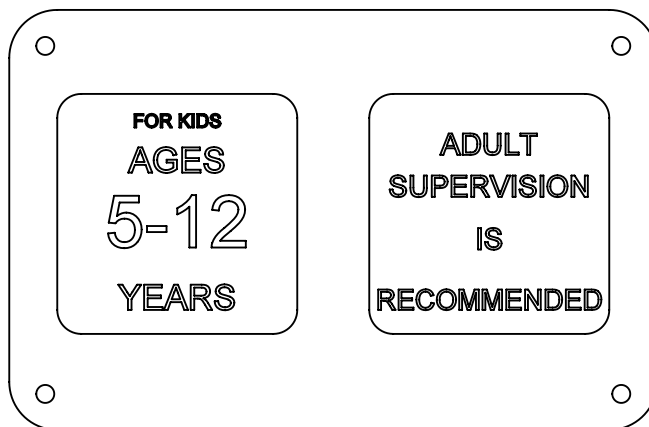
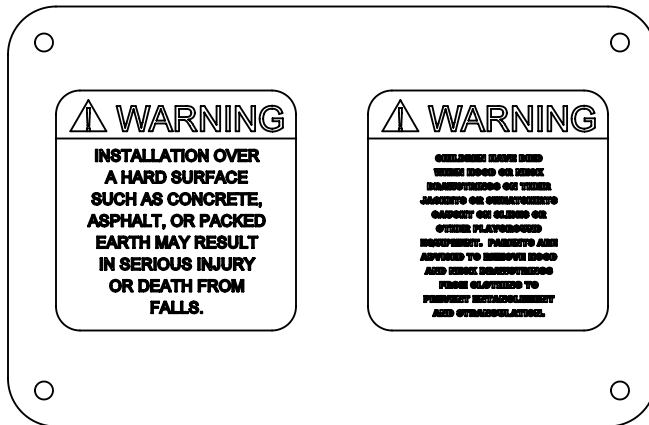
Date of Inspection:

Inspection By:

Information Signage and Labels

*NOTE: The provided informational plaques should be installed on your play structure according to installation instructions provided later in this manual.

*NOTE: Informational plaques must be replaced if they become worn and unable to be clearly read.



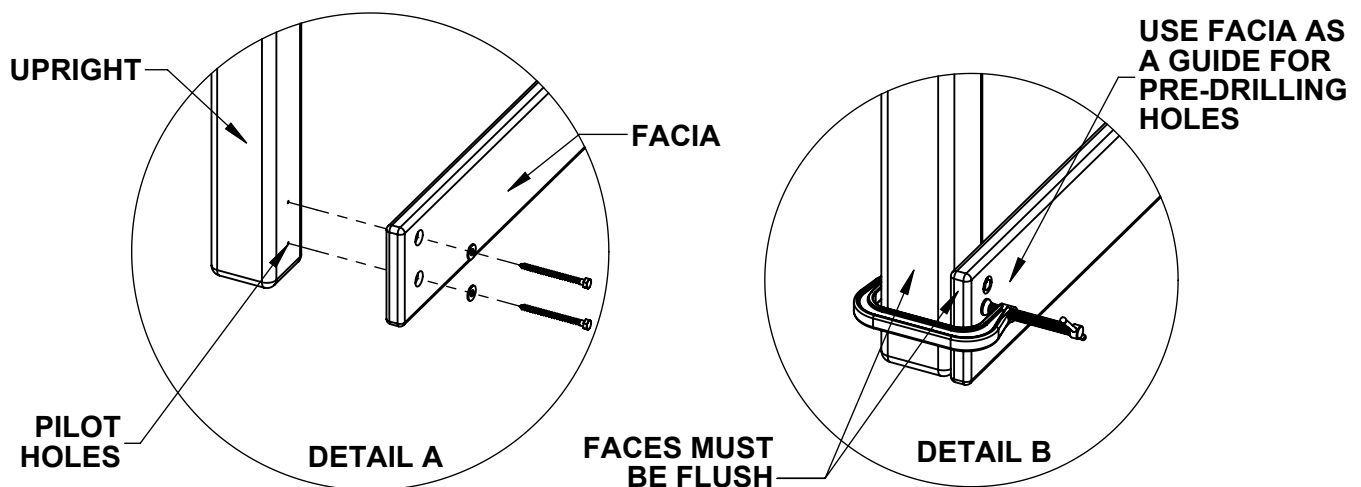
WARNING

Drilling, sawing, sanding or machining wood products generates wood dust, a substance known to the State of California to cause cancer. Avoid inhaling wood dust or use a dust mask or other safeguards for personal protection.
California Health and Safety Code Section 25249.6

Helpful Installation Hints

***NOTE:** Refer to these assembly tips throughout the entire installation process.

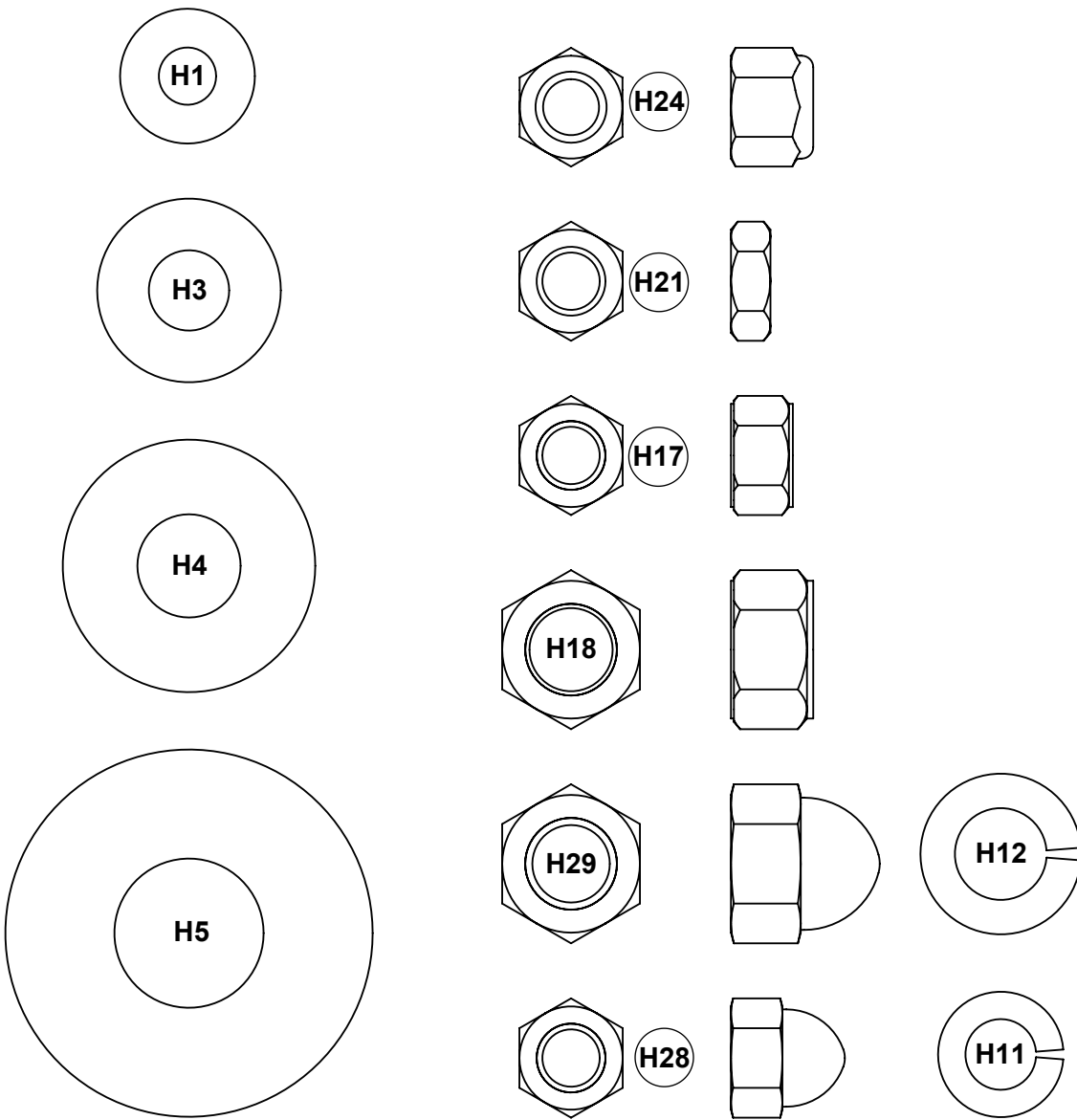
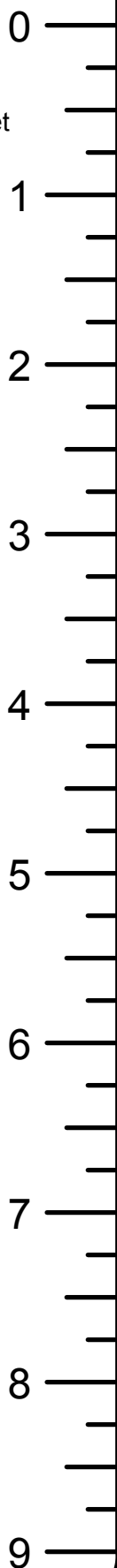
1. **After thoroughly reading all information and properly locating your play system site, carefully unpack parts.** As you unpack your play system, keep the parts list handy and become familiar with each part before beginning assembly. Remember that a little extra time spent familiarizing yourself with the parts and instructions before you begin will help avoid mistakes and save you time later.
2. **Group** both wood and non-wood parts together in accordance to each page, or Step, of this assembly manual. Doing this now will help you quickly locate parts and assemble the set with ease.
3. **Sort** your hardware into groups of similar hardware pieces. Use a solid surface, such as a concrete driveway, to ensure you do not lose any hardware.
4. **Before** starting each Step, thoroughly read all of the instructions to ensure all information is understood. Pay special attention to the orientation of each part, details & notes, and proper usage of hardware. Each piece of hardware is required for a certain part of the assembly.
5. **Certain** Steps of the assembly are best performed on a hard flat surface to ensure proper and accurate assembly.
6. **All** Lag Bolts must have pre-drilled holes 2" deep (as shown in Detail A). Use a 1/8" drill bit for all 1/4" and 5/16" Lag Bolts and use a 1/4" drill bit for all 3/8" Lag Bolts. Lag Bolts can be difficult to put in knot holes. Pre-drilling pilot holes will help to prevent the Lag Bolts from breaking.
7. **All** #14 Phillips Pan Head Tap Screws must have pre-drilled holes 1/2" deep. Use a 1/8" drill bit.
8. **Use** a clamp to secure Facias flush to the Uprights and use holes in facia as a guide for placing Lag Bolt Pilot Holes (as shown in Detail B).
9. **Verify** Facias are flush with Uprights.
10. **Check** assembly periodically to ensure the set is level and all facias are square to the uprights.
11. If a gap occurs between boards when inserting Screws or Lag Bolts, back out hardware and apply pressure to the top board while reinserting hardware in the same hole.

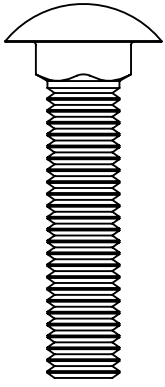


TOOLS REQUIRED FOR ASSEMBLY

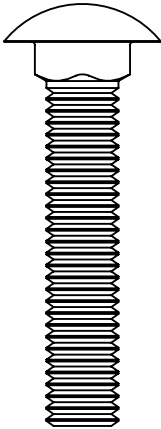
Carpenters Square
 Carpenters Level
 7/16" Deep Well Socket
 1/2" Deep Well Socket
 9/16" Deep Well Socket
 3/4" Deep Well Socket
 8' Step Ladder
 Safety Glasses
 Utility Knife
 Locking Pliers
 Tape Measure

Claw Hammer
 Wood Clamp
 Standard or Cordless Drill
 w/ #2 & #3 Phillips Bits
 Electric Impact Gun or 1/4" & 3/8" Ratchet
 1/8" Drill Bit
 1/4" Drill Bit
 9/16" Drill Bit
 9/16" Drill Bit w/1 1/2" counter-bore
 Adult Helper

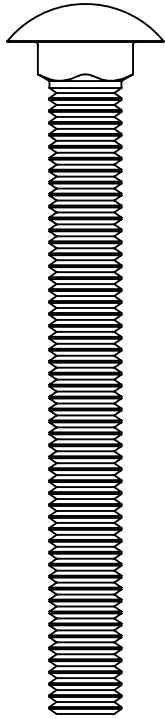




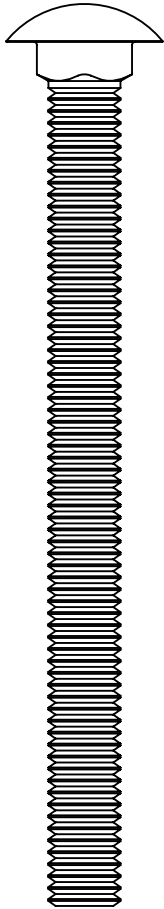
H46



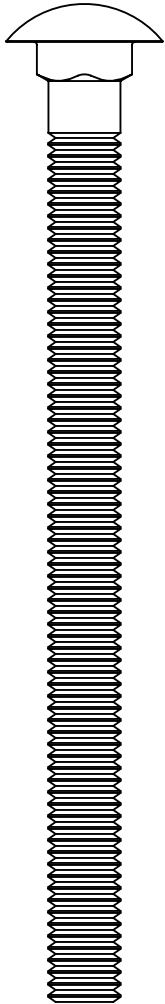
H47



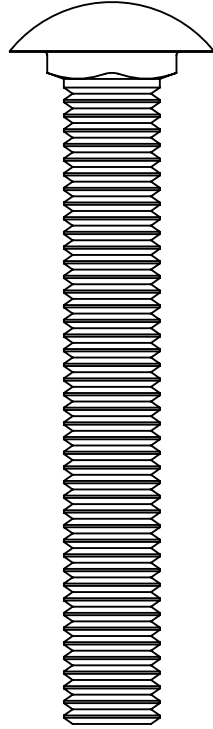
H50



H52

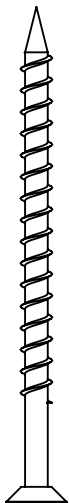


H53

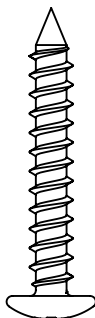


H65

H155



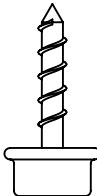
H174



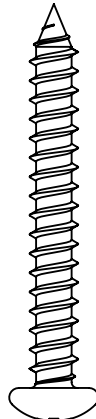
H158



H183



H167



0

1

2

3

4

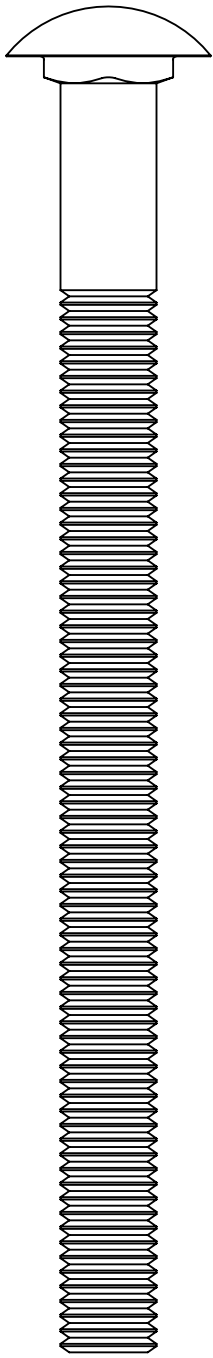
5

6

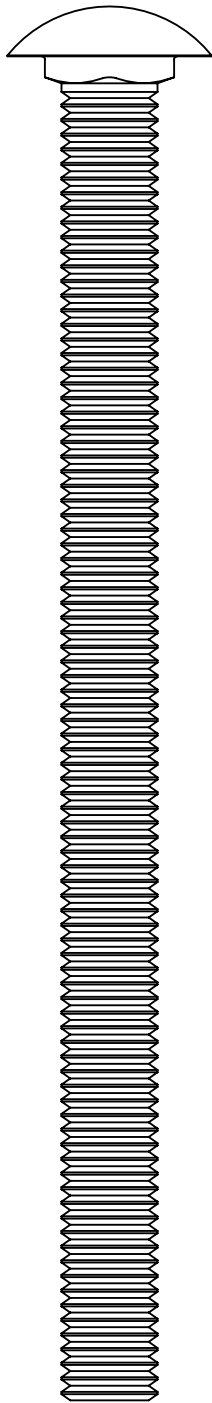
7

8

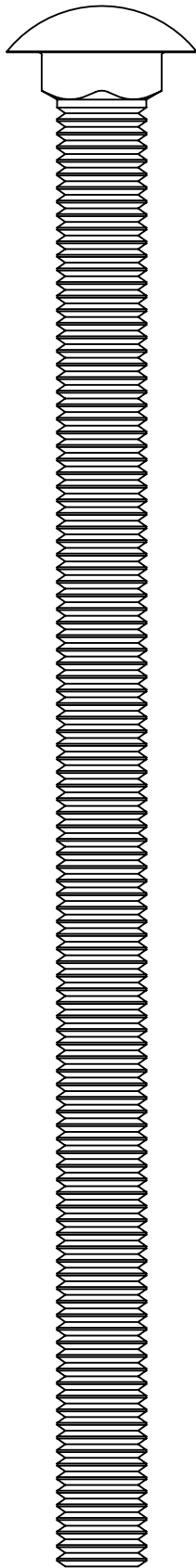
9



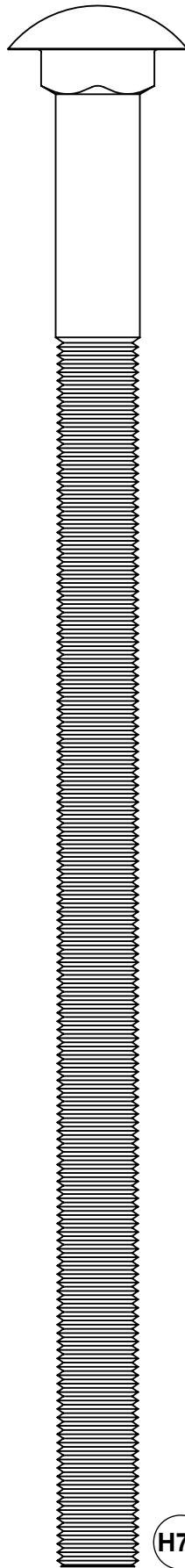
H71



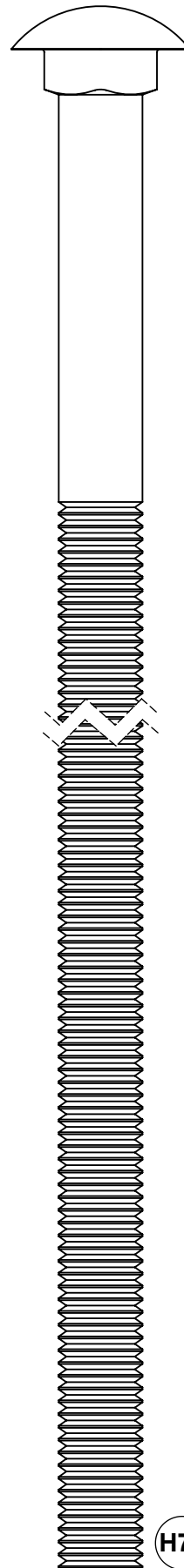
H72



H75



H76



H78

0

1

2

3

4

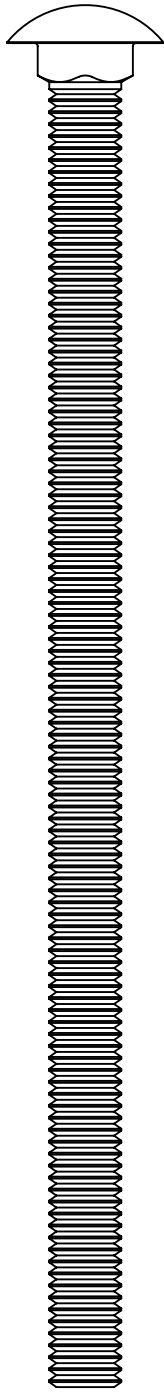
5

6

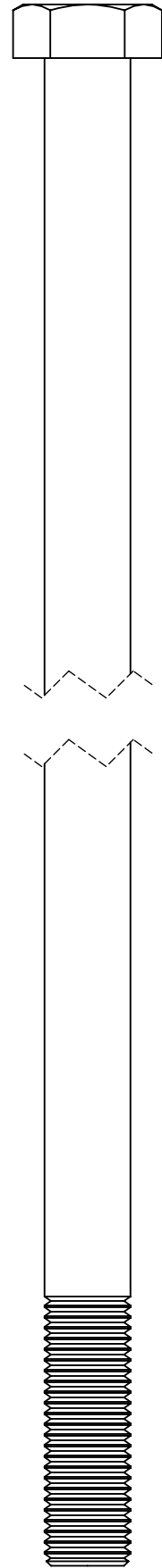
7

8

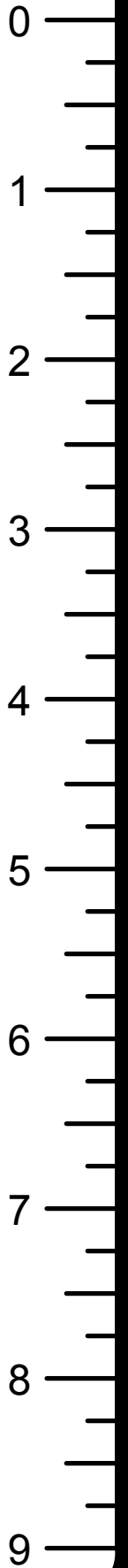
9



H57

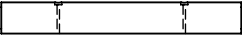


H151




Commercial Club Package 1 Parts List


F/N#	DESCRIPTION	DIMENSION	QTY	FOUND IN
H1	Flat Washer	1/4"	74	5-46-0659
H3	Flat Washer	3/8"	283/6	5-46-0659/5-46-0679
H4	Flat Washer	1/2"	18	5-46-0659
H11	Lock Washer	3/8"	8/2	5-46-0659/5-46-0679
H12	Lock Washer	1/2"	6	5-46-0659
H17	Standard Nut	3/8"	6/2	5-46-0659/5-46-0679
H18	Standard Nut	1/2"	6	5-46-0659
H28	Acorn Nut	3/8"	6/2	5-46-0659/5-46-0679
H34	T-Nut	3/8"	2	5-46-0659
H52	Carriage Bolt	3/8" x 4 1/2"	6	5-46-0659
H57	Carriage Bolt	3/8" x 7"	2	5-46-0679
H93	Lag Bolt	1/4" x 2"	12/2	5-46-0659/5-46-0681
H97	Lag Bolt	1/4" x 3"	10	5-46-0659
H99	Lag Bolt	1/4" x 4"	52	5-46-0659
H116	Lag Bolt	3/8" x 3 1/2"	268	5-46-0659
H119	Lag Bolt	3/8" x 5"	7/4	5-46-0659/5-46-0679
H129	Hex Bolt	3/8" x 3 1/2"	2	5-46-0659
H213	Hex Bolt	1/2" x 3"	6	5-46-0659
H157	Phillips Pan Head Tap Screw	#10 x 1"	28	5-46-0659
H154	Phillips Wood Screw	#8 x 2"	14	5-46-0659
H155	Phillips Wood Screw	#8 x 2 1/2"	14/2	5-46-0659/5-48-0681
H174	Phillips Truss Head Screw	#12 x 1 1/2"	2	5-46-0659
N73	Bolt Cup		8	5-21-0722
N249	Safety Cap		4	5-21-0722
N265	Commercial Warning Plaque		1	5-21-0722
N266	Commercial Supervision Plaque		1	5-21-0722
N267	Commercial Surfacing Plaque		1	5-21-0722
N268	Crayons		3	Loose
N269	Commercial Fan Center		2	Loose
N270	Rainbow Commercial Plaque		1	5-21-0722
N271	Metal Stake		8	5-21-0722

700 
10 @ x 25" RAIL TOP (1-03-0882)


701 
7 @ x 25" COMMERCIAL RAIL TOP (1-03-0894)

705 
1 @ 2 x 4 x 10" COMMERCIAL RAIL TOP (1-03-0900)

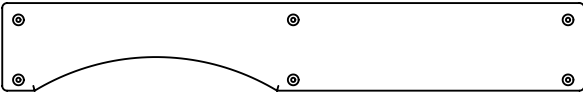
557 
2 @ 2 x 4 x 32" 2 HOLE FACIA (1-03-0901)

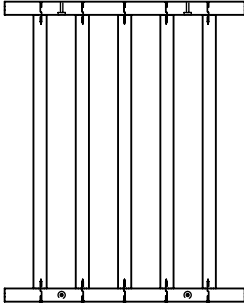
545 
36 @ 2 x 6 x 32" 4 HOLE FACIA (1-04-0693)

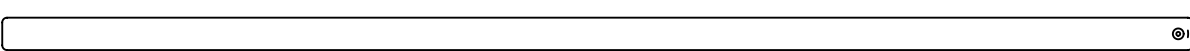
Commercial Club Package 1 Parts List

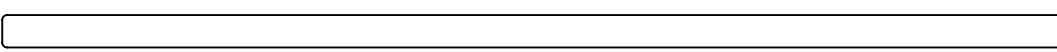
706 
8 @ x 32" 4 HOLE SANDBOX FACIA (1-05-0023)

434 
7 @ 2 x 10 x 60 5/8" 6 HOLE SANDBOX FACIA (1-05-0029)

707 
1 @ 2 x 10 x 60 5/8" LEFT ARCHED FACIA (1-05-0162)

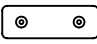

6 @ COMMERCIAL RAIL (1-20-0852)

708 
4 @ 4 x 4 x 124" CORNER UPRIGHT (1-06-0671)

709 
5 @ 4 x 4 x 111" CENTER UPRIGHT (1-06-0672)

710 
1 @ 4 x 4 x 23 5/8" CRAYON MOUNTING BOARD (1-06-0677)

711 
1 @ 4 x 4 x 25" CRAYON MOUNTING BOARD (1-06-0678)

712 
1 @ 4 x 4 x 10" SHIPS WHEEL BOARD (1-06-0679)

773 
2 @ 4 x 6 x 17" EURO SLIDE ENTRAPMENT BLOCK (1-07-0412)

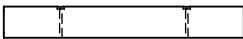
Commercial Club Package 2 Parts List

F/N#	DESCRIPTION	DIMENSION	QTY	FOUND IN
H1	Flat Washer	1/4"	74, 63	5-46-0659, 5-46-0660
H3	Flat Washer	3/8"	283/6	5-46-0659/5-46-0679
H4	Flat Washer	1/2"	18	5-46-0659
H5	Flat Washer	3/4"	4	5-46-0660
H11	Lock Washer	3/8"	8/2	5-46-0659/5-46-0679
H12	Lock Washer	1/2"	6	5-46-0659
H17	Standard Nut	3/8"	6/2	5-46-0659/5-46-0679
H18	Standard Nut	1/2"	6	5-46-0659
H28	Acorn Nut	3/8"	6/2	5-46-0659/5-46-0679
H29	Acorn Nut	1/2"	4	5-46-0660
H34	T-Nut	3/8"	2	5-46-0659
H52	Carriage Bolt	3/8" x 4 1/2"	6	5-46-0659
H57	Carriage Bolt	3/8" x 7"	2	5-46-0679
H71	Carriage Bolt	1/2" x 6 3/4"	4	5-46-0660
H93	Lag Bolt	1/4" x 2"	12, 17, 2	5-46-0659, 5-46-0660, 5-46-0681

Commercial Club Pkg 2 Parts List (Continued)

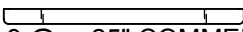
H97	Lag Bolt	1/4" x 3"	10, 46	5-46-0659, 5-46-0660
H99	Lag Bolt	1/4" x 4"	52, 2	5-46-0659, 5-46-0660
H116	Lag Bolt	3/8" x 3 1/2"	268	5-46-0659
H119	Lag Bolt	3/8" x 5"	7, 5, 4	5-46-0659, 5-46-0660, 5-46-0679
H129	Hex Bolt	3/8" x 3 1/2"	2	5-46-0659
H213	Hex Bolt	1/2" x 3"	6	5-46-0659
H157	Phillips Pan Head Tap Screw	#10 x 1"	28	5-46-0659
H154	Phillips Wood Screw	#8 x 2"	14, 8	5-46-0659, 5-46-0660
H155	Phillips Wood Screw	#8 x 2 1/2"	14, 13, 2	5-46-0659, 5-46-0660, 5-46-0681
H174	Phillips Truss Head Screw	#12 x 1 1/2"	2	5-46-0659
N73	Bolt Cup		14	5-21-0723
N82	Ladder Bracket		2	5-21-0723
N249	Safety Cap		6	5-21-0723
N265	Commercial Warning Plaque		1	5-21-0723
N266	Commercial Supervision Plaque		1	5-21-0723
N267	Commercial Surfacing Plaque		1	5-21-0723
N269	Commercial Fan Center		3	Loose
N270	Rainbow Commercial Plaque		1	5-21-0723
N271	Metal Stake		8	5-21-0723

700



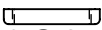
6 @ x 25" RAIL TOP (1-03-0882)

701



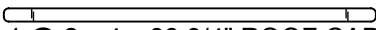
9 @ x 25" COMMERCIAL RAIL TOP (1-03-0894)

705



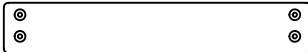
3 @ 2 x 4 x 10" COMMERCIAL RAIL TOP (1-03-0900)

718



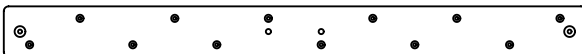
1 @ 2 x 4 x 38 3/4" ROOF CAP (1-03-1000)

545



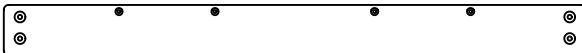
24 @ 2 x 6 x 32" 4 HOLE FACIA (1-04-0693)

429



1 @ 2 x 6 x 60 5/8" DECK RUNNER (1-04-0730)

430



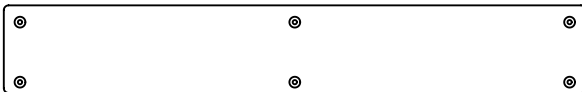
2 @ 2 x 6 x 60 5/8" 8 HOLE DECK FACIA (1-04-0731)

706



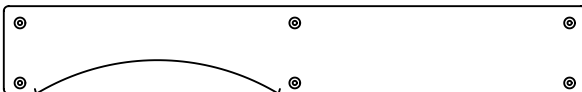
9 @ x 32" 4 HOLE SANDBOX FACIA (1-05-0023)

434




5 @ 2 x 10 x 60 5/8" 6 HOLE SANDBOX FACIA (1-05-0029)

707

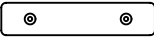


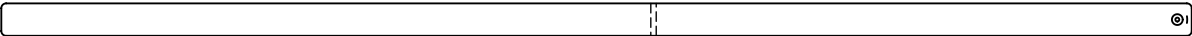
2 @ 2 x 10 x 60 5/8" LEFT ARCHED FACIA (1-05-0162)

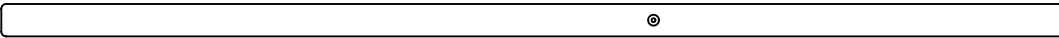
Commercial Club Pkg 2 Parts List (Continued)

719 
 2 @ 2 x 10 x 60 5/8" 4 HOLE FACIA (1-05-0164)

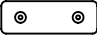
720 
 1 @ 2 x 10 x 60 5/8" CENTER ARCHED FACIA (1-05-0165)


303 
 2 @ 4 x 4 x 16" PENTHOUSE SHORT FILLER BLOCK (1-06-0254)


721 
 4 @ 4 x 4 x 124" CORNER UPRIGHT (1-06-0673)

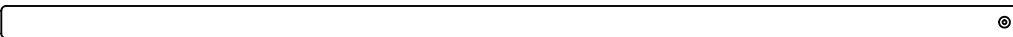
722 
 2 @ 4 x 4 x 111" CENTER UPRIGHT (1-06-0674)

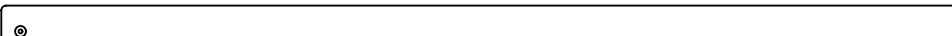
723 
 1 @ 4 x 4 x 39" CENTER POST (1-06-0675)


712 
 1 @ 4 x 4 x 10" SHIPS WHEEL BOARD (1-06-0679)

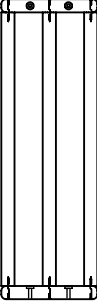
724 
 1 @ 4 x 4 x 79" CENTER UPRIGHT (1-06-0681)

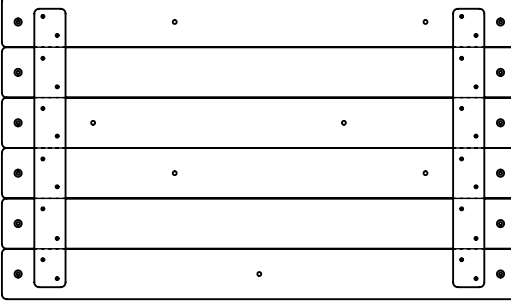
725 
 1 @ 4 x 4 x 95" CENTER UPRIGHT (1-06-0688)

726 
 4 @ 4 x 4 x 106" CORNER UPRIGHT (1-06-0689)

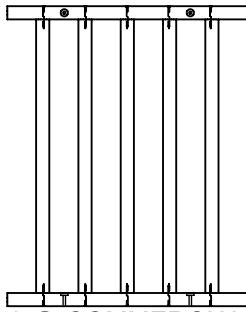
727 
 2 @ 4 x 6 x 100" ROCK WALL LEG (1-07-0681)

442 
 2 @ 4 x 6 x 60 5/8" MAIN BEAM (1-07-0690)

A85 
 2 @ COZY RAIL (1-20-0747)

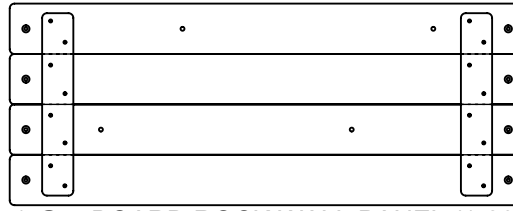
A81 
 2 @ 6 BOARD ROCK WALL PANEL (1-20-0811)

Commercial Club Pkg 2 Parts List (Continued)



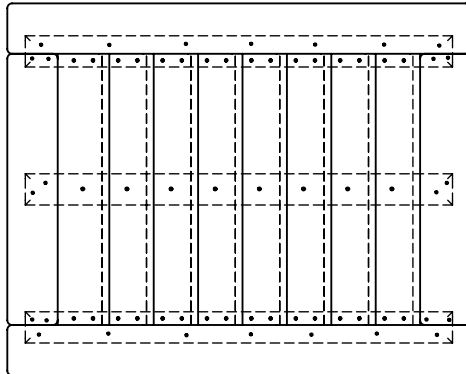
A93

8 @ COMMERCIAL RAIL
(1-20-0852)



A94

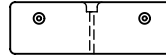
1 @ 4 BOARD ROCK WALL PANEL (1-20-0853)



A95

2 @ ROOF PANEL (1-20-0856)

773



2 @ 4 x 6 x 17" EURO SLIDE ENTRAPMENT BLOCK
(1-07-0412)

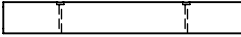
Commercial Club Package 3 Parts List

F/N#	DESCRIPTION	DIMENSION	QTY	FOUND IN
H1	Flat Washer	1/4"	74, 63, 92	5-46-0659, 5-46-0660, 5-46-0661
H3	Flat Washer	3/8"	283, 261, 12	5-46-0659, 5-46-0661, 5-46-0679
H4	Flat Washer	1/2"	18, 7	5-46-0659, 5-46-0661
H5	Flat Washer	3/4"	4	5-46-0660
H11	Lock Washer	3/8"	8, 4, 4	5-46-0659, 5-46-0661, 5-46-0679
H12	Lock Washer	1/2"	6, 4	5-46-0659, 5-46-0661
H17	Standard Nut	3/8"	6, 2, 4	5-46-0659, 5-46-0661, 5-46-0679
H18	Standard Nut	1/2"	6, 4	5-46-0659, 5-46-0661
H28	Acorn Nut	3/8"	6, 2, 4	5-46-0659, 5-46-0661, 5-46-0679
H29	Acorn Nut	1/2"	4	5-46-0660
H34	T-Nut	3/8"	2, 2	5-46-0659, 5-46-0661
H52	Carriage Bolt	3/8" x 4 1/2"	6, 2	5-46-0659, 5-46-0661
H57	Carriage Bolt	3/8" x 7"	4	5-46-0679
H71	Carriage Bolt	1/2" x 6 3/4"	4	5-46-0660
H93	Lag Bolt	1/4" x 2"	12, 17, 11, 2	5-46-0659, 5-46-0660, 5-46-0661, 5-46-0681
H97	Lag Bolt	1/4" x 3"	10, 46, 30	5-46-0659, 5-46-0660, 5-46-0661
H99	Lag Bolt	1/4" x 4"	52, 2, 51	5-46-0659, 5-46-0660, 5-46-0661
H116	Lag Bolt	3/8" x 3 1/2"	268, 248	5-46-0659, 5-46-0661
H119	Lag Bolt	3/8" x 5"	7, 5, 7, 8	5-46-0659, 5-46-0660, 5-46-0661, 5-46-0679
H129	Hex Bolt	3/8" x 3 1/2"	2, 2	5-46-0659, 5-46-0661
H213	Hex Bolt	1/2" x 3"	6	5-46-0659
H157	Phillips Pan Head Tap Screw	#10 x 1"	28, 30	5-46-0659, 5-46-0661
H154	Phillips Wood Screw	#8 x 2"	14, 8, 15	5-46-0659, 5-46-0660, 5-46-0661
H155	Phillips Wood Screw	#8 x 2 1/2"	14, 13, 26, 2	5-46-0659, 5-46-0660, 5-46-0661, 5-46-0681
H174	Phillips Truss Head Screw	#12 x 1 1/2"	2, 2	5-46-0659, 5-46-0661
N73	Bolt Cup		22	5-21-0724

Commercial Package 3 Parts List (Continued)

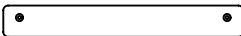
N82	Ladder Bracket		2	5-21-0724
N249	Safety Cap		16	5-21-0724
N265	Commercial Warning Plaque		1	5-21-0724
N266	Commercial Supervision Plaque		1	5-21-0724
N267	Commercial Surfacing Plaque		1	5-21-0724
N268	Crayons	Set of 3	1	Loose
N269	Commercial Fan Center		5	Loose
N270	Commercial Plaque		2	5-21-0724
N271	Metal Stake		16	5-21-0724

700



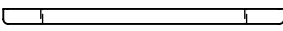
16 @ x 25" RAIL TOP (1-03-0882)

541



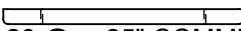
2 @ 2 x 4 x 25" FILLER BOARD (1-03-0884)

729



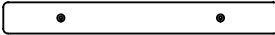
1 @ 2 x 4 x 29 1/4" COMMERCIAL RAIL TOP (1-03-0890)

701



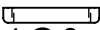
20 @ x 25" COMMERCIAL RAIL TOP (1-03-0894)

704



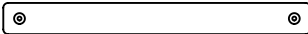
4 @ 2 x 4 x 28 5/8" PANEL FILLER (1-03-0899)

705



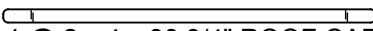
4 @ 2 x 4 x 10" COMMERCIAL RAIL TOP (1-03-0900)

557



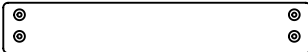
3 @ 2 x 4 x 32" 2 HOLE FACIA (1-03-0901)

718



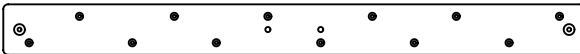
1 @ 2 x 4 x 38 3/4" ROOF CAP (1-03-1000)

545



58 @ 2 x 6 x 32" 4 HOLE FACIA (1-04-0693)

429



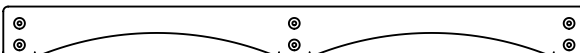
1 @ 2 x 6 x 60 5/8" DECK RUNNER (1-04-0730)

430



2 @ 2 x 6 x 60 5/8" 8 HOLE DECK FACIA (1-04-0731)

730



1 @ 2 x 6 x 60 5/8" DOUBLE ARCHED FACIA (1-04-0780)

Commercial Package 3 Parts List (Continued)

706



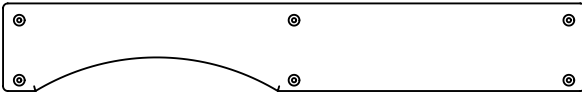
17 @ x 32" 4 HOLE SANDBOX FACIA (1-05-0023)

434



10 @ 2 x 10 x 60 5/8" 6 HOLE SANDBOX FACIA (1-05-0029)

707



4 @ 2 x 10 x 60 5/8" LEFT ARCHED FACIA (1-05-0162)

731



1 @ 2 x 10 x 60 5/8" RIGHT ARCHED FACIA (1-05-0163)

719



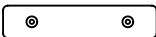
2 @ 2 x 10 x 60 5/8" 4 HOLE FACIA (1-05-0164)

720



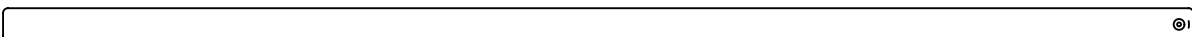
1 @ 2 x 10 x 60 5/8" CENTER ARCHED FACIA (1-05-0165)

303



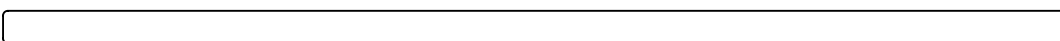
2 @ 4 x 4 x 16" PENTHOUSE SHORT FILLER BLOCK (1-06-0254)

708



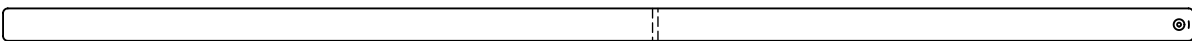
4 @ 4 x 4 x 124" CORNER UPRIGHT (1-06-0671)

709



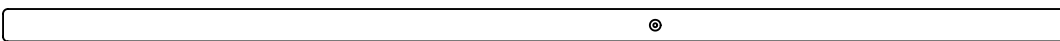
5 @ 4 x 4 x 111" CENTER UPRIGHT (1-06-0672)

721



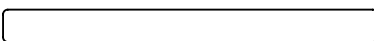
4 @ 4 x 4 x 124" CORNER UPRIGHT (1-06-0673)

722



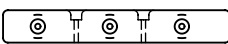
2 @ 4 x 4 x 111" CENTER UPRIGHT (1-06-0674)

723



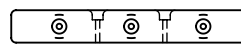
1 @ 4 x 4 x 39" CENTER POST (1-06-0675)

710



1 @ 4 x 4 x 23 5/8" CRAYON MOUNTING BOARD (1-06-0677)

711



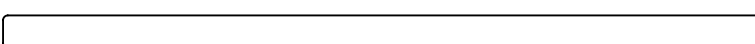
1 @ 4 x 4 x 25" CRAYON MOUNTING BOARD (1-06-0678)

712



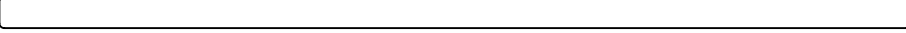
2 @ 4 x 4 x 10" SHIPS WHEEL BOARD (1-06-0679)

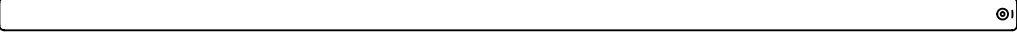
724




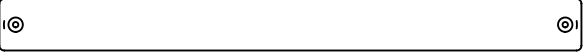
1 @ 4 x 4 x 79" CENTER UPRIGHT (1-06-0681)


Commercial Package 3 Parts List (Continued)

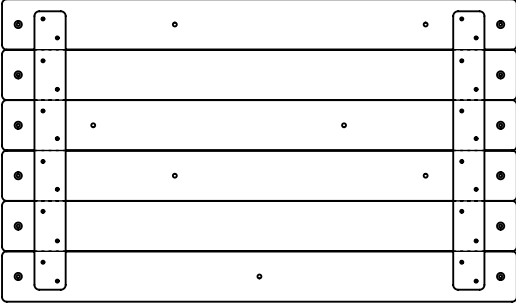
725 
 1 @ 4 x 4 x 95" CENTER UPRIGHT (1-06-0688)

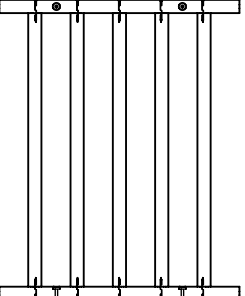
726 
 4 @ 4 x 4 x 106" CORNER UPRIGHT (1-06-0689)

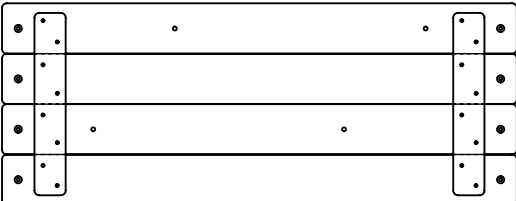
727 
 2 @ 4 x 6 x 100" ROCK WALL LEG (1-07-0681)

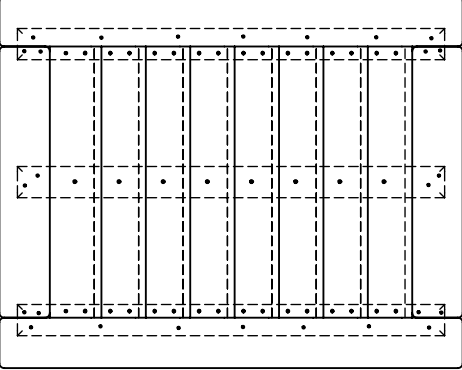
442 
 2 @ 4 x 6 x 60 5/8" MAIN BEAM (1-07-0690)


A85 
 2 @ COZY RAIL (1-20-0747)

A81 
 2 @ 6 BOARD ROCK WALL PANEL (1-20-0811)

A93 
 18 @ COMMERCIAL RAIL
 (1-20-0852)

A94 
 1 @ 4 BOARD ROCK WALL PANEL (1-20-0853)

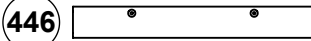
A95 
 2 @ ROOF PANEL (1-20-0856)

773 
 4 @ 4 x 6 x 17" EURO SLIDE ENTRAPMENT BLOCK
 (1-07-0412)

758 
 1 @ 4 x 6 x 25" COMMERCIAL FILLER BLOCK
 (1-07-0776)

759 
 1 @ 2 x 8 x 32" COMMERCIAL FILLER FACIA
 (1-14-0025)

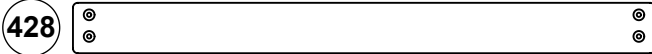
Rail Bottom Parts List



446

1 @ 2 x 4 x 25" RAIL BOTTOM (1-03-0782)

4 Hole Facia Parts List



428

1 @ 2 x 6 x 60 5/8" 4 HOLE FACIA (1-04-0721)

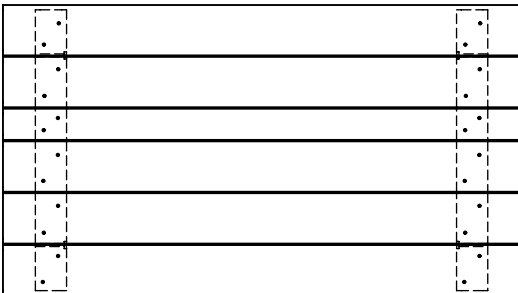
6 Hole Facia Parts List



431

1 @ 2 x 6 x 60 5/8" 6 HOLE FACIA (1-04-0732)

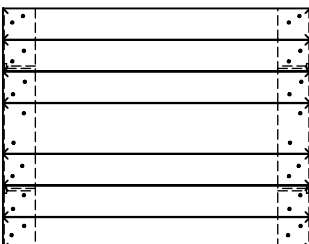
Deck Panel Parts List



A1

2 @ Deck Panel (1-20-0803)

BGB/PENT Deck Panel Parts List

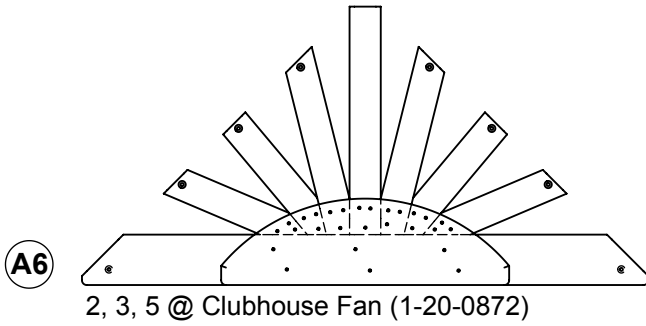


A52

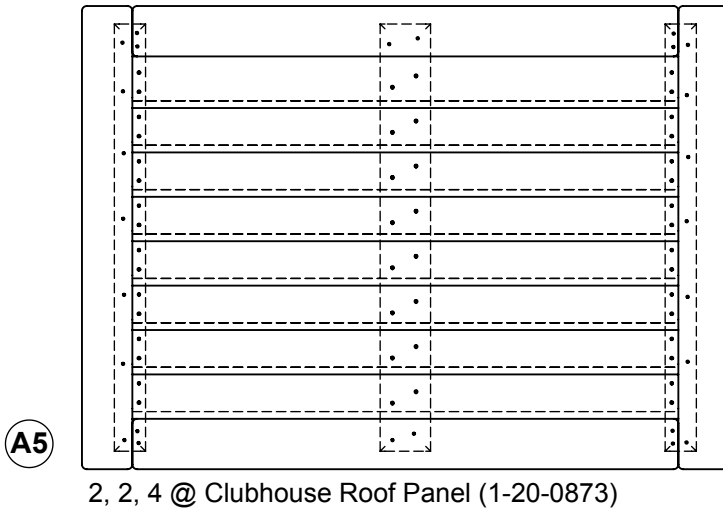
5, 3, 12 @ BGB/PENT Deck Panel (1-20-0838)

***NOTE:** Quantities shown with commas in between multiple numbers are quantities shown per use by package in order starting with Package 1.

Clubhouse Fan Parts List

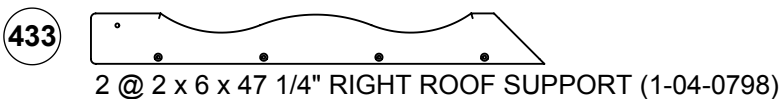
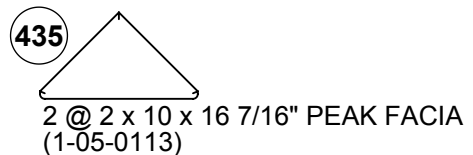
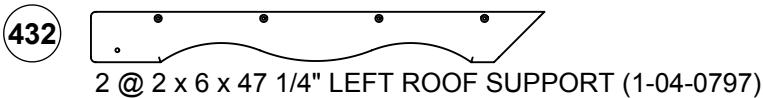
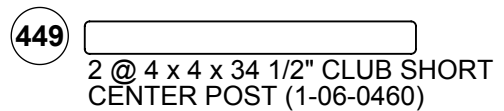


Clubhouse Roof Panel Parts List



Clubhouse Wood Roof Parts List

F/N#	DESCRIPTION	DIMENSION	QTY	FOUND IN
H1	Flat Washer	1/4"	32	5-46-0622
H3	Flat Washer	3/8"	4	5-46-0622
H4	Flat Washer	1/2"	4	5-46-0622
H11	Lock Washer	3/8"	4	5-46-0622
H17	Standard Nut	3/8"	4	5-46-0622
H28	Acorn Nut	3/8"	4	5-46-0622
H52	Carriage Bolt	3/8" x 4 1/2"	4	5-46-0622
H93	Lag Bolt	1/4" x 2"	16	5-46-0622
H97	Lag Bolt	1/4" x 3"	16	5-46-0622
H155	Phillips Wood Screw	#8 x 2 1/2"	15	5-46-0622



5 x 5 Floor Parts List

F/N#	DESCRIPTION	DIMENSION	QTY	FOUND IN
H1	Flat Washer	1/4"	3	5-46-0636
H3	Flat Washer	3/8"	6	5-46-0636
H100	Lag Bolt	1/4" x 4 1/2"	3	5-46-0636
H116	Lag Bolt	3/8" x 3 1/2"	6	5-46-0636

592

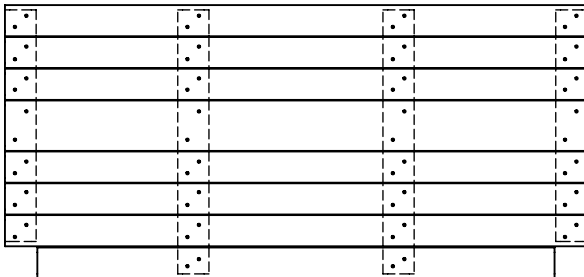


2 @ 2 x 4 x 60 5/8" 2 HOLE FACIA (1-03-0857)

593



1 @ 2 x 4 x 53 5/8" FLOOR BOARD (1-03-0923)



A61

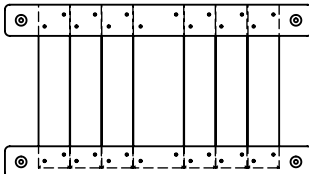
2 @ FLOOR PANEL (1-20-0864)

Universal Store Fronts Parts List

F/N#	DESCRIPTION	DIMENSION	QTY	FOUND IN
H3	Flat Washer	3/8"	6	5-46-0382
H116	Lag Bolt	3/8" x 3 1/2"	6	5-46-0382

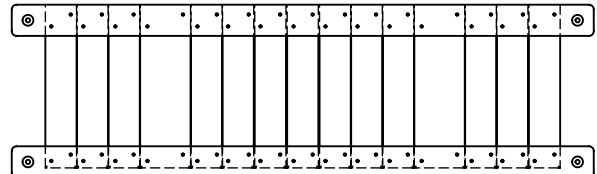
NOTE: Hardware Bag 5-46-0382 @1 will be used per Store Front Panel used.

A63



1 @ STORE FRONT - 1 BAY (1-20-0875)

A65



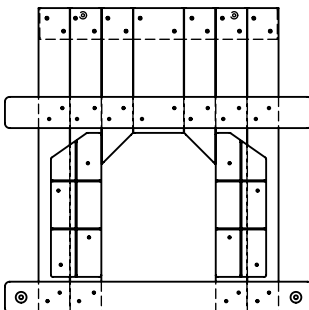
1 @ STORE FRONT - FULL 2 BAY (1-20-0877)

62"/68" DH Play Panel - 1 Bay Parts List

F/N#	DESCRIPTION	DIMENSION	QTY	FOUND IN
H1	Flat Washer	1/4"	2	5-46-0518
H3	Flat Washer	3/8"	8	5-46-0518
H93	Lag Bolt	1/4" x 2"	2	5-46-0518
H116	Lag Bolt	3/8" x 3 1/2"	8	5-46-0518

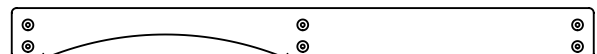
***NOTE:** Left Arched Facias (1-04-0801) will only be used on Commercial Package 2.

A69



1 @ PLAY PANEL - 1 BAY (1-20-0881)

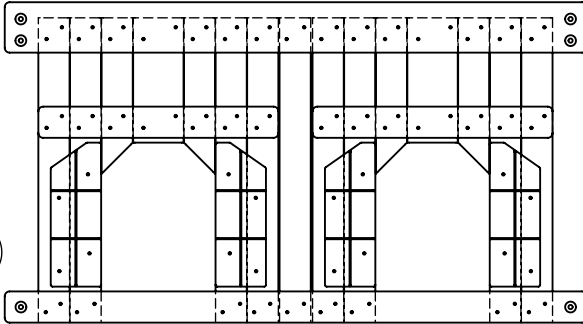
601



1 @ 2 x 6 x 60 5/8" LEFT ARCHED FACIA (1-04-0801)

62"/68" DH Play Panel - Full 2 Bay Parts List

F/N#	DESCRIPTION	DIMENSION	QTY	FOUND IN
H3	Flat Washer	3/8"	6	5-46-0382
H116	Lag Bolt	3/8" x 3 1/2"	6	5-46-0382



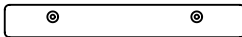
A71

1 @ PLAY PANEL - FULL 2 BAY (1-20-0883)

4 x 4 Filler Block Parts List

F/N#	DESCRIPTION	DIMENSION	QTY	FOUND IN
H3	Flat Washer	3/8"	2	5-46-0239
H119	Lag Bolt	3/8" x 5"	2	5-46-0239

443

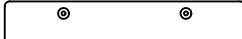


1 @ 4 x 4 x 25" FILLER BLOCK (1-06-0138)

4 x 6 Filler Block Parts List

F/N#	DESCRIPTION	DIMENSION	QTY	FOUND IN
H3	Flat Washer	3/8"	2	5-46-0239
H119	Lag Bolt	3/8" x 5"	2	5-46-0239

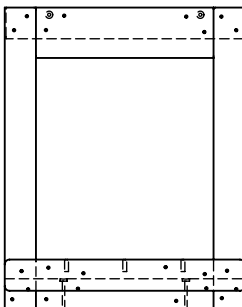
603



1 @ 4 x 6 x 25" FILLER BLOCK (1-07-0675)

Yellow Tic Tac Toe Panel Parts List

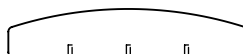
F/N#	DESCRIPTION	DIMENSION	QTY	FOUND IN
H154	Phillips Wood Screw	#8 x 2"	4	5-46-0505
N172	Tic Tac Toe Cylinder		9	9-24-1491
N173	Tic Tac Toe Insert		2	9-24-1491
N174	Tic Tac Toe Rod		3	9-24-1491



A41

1 @ MINI TTT RAIL (1-20-0889)

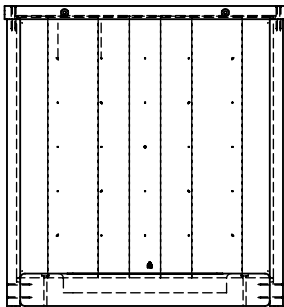
532



1 @ 2 x 6 x 25" TOP TTT BOARD (1-04-0804)

Chalkboard Learning Center Parts List

F/N#	DESCRIPTION	DIMENSION	QTY	FOUND IN
H1	Flat Washer	1/4"	6	5-46-0656
H3	Flat Washer	3/8"	2	5-46-0656
H4	Flat Washer	1/2"	2	5-46-0656
H11	Lock Washer	3/8"	2	5-46-0656
H17	Standard Nut	3/8"	2	5-46-0656
H28	Acorn Nut	3/8"	2	5-46-0656
H52	Carriage Bolt	3/8" x 4 1/2"	2	5-46-0656
H97	Lag Bolt	1/4" x 3"	2	5-46-0656
H99	Lag Bolt	1/4" x 4"	4	5-46-0656
	Rainbow Chalk		1	Loose
	Rainbow Eraser		1	Loose



A25

1 @ CHALKBOARD RAIL (9-20-0272)

526



1 @ 4 x 4 x 29 1/4" MOUNTING BLOCK (1-06-0748)

Billy Goat Bridge Parts List

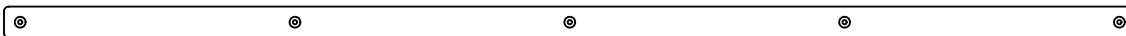
F/N#	DESCRIPTION	DIMENSION	QTY	FOUND IN
H1	Flat Washer	1/4"	62	5-46-0610
H3	Flat Washer	3/8"	24	5-46-0610
H4	Flat Washer	1/2"	14	5-46-0610
H5	Flat Washer	3/4"	14	5-46-0610
H12	Lock Washer	1/2"	14	5-46-0610
H18	Standard Nut	1/2"	14	5-46-0610
H29	Acorn Nut	1/2"	14	5-46-0610
H68	Carriage Bolt	1/2" x 5"	4	5-46-0610
H71	Carriage Bolt	1/2" x 6 3/4"	10	5-46-0610
H97	Lag Bolt	1/4" x 3"	30	5-46-0610
H99	Lag Bolt	1/4" x 4"	32	5-46-0610
H116	Lag Bolt	3/8" x 3 1/2"	24	5-46-0610
N46	90° Bracket		4	5-21-0683

541



5 @ 2 x 4 x 25" FILLER BOARD (1-03-0884)

579



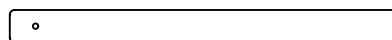
4 @ 2 x 4 x 117 7/8" 5 HOLE FACIA (1-03-0944)

551



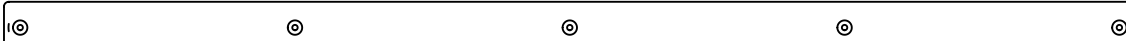
2 @ 2 x 6 x 25" MONKEY BAR ENTRAPMENT BOARD (1-04-0696)

580



6 @ 4 x 4 x 41" BILLY GOAT BRIDGE UPRIGHT (1-06-0083)

581



2 @ 4 x 6 x 117 7/8" BILLY GOAT BRIDGE MAIN BEAM (1-07-0144)

Crawl Tunnel Parts List

<u>F/N#</u>	<u>DESCRIPTION</u>	<u>DIMENSION</u>	<u>QTY</u>	<u>FOUND IN</u>
H1	Flat Washer	1/4"	4	5-46-0381
H3	Flat Washer	3/8"	8	5-46-0381
H97	Lag Bolt	1/4" x 3"	4	5-46-0381
H116	Lag Bolt	3/8" x 3 1/2"	4	5-46-0381
H119	Lag Bolt	3/8" x 5"	4	5-46-0381
H180	Torx Head Screw	5/16" x 2 1/2"	12	5-46-0381
N238	10' Crawl Tunnel		1	Loose

584



2 @ 2 x 6 x 25" CRAWL TUNNEL FILLER (1-04-0773)

Safety Handles Parts List (per pair)

<u>F/N#</u>	<u>DESCRIPTION</u>	<u>DIMENSION</u>	<u>QTY</u>	<u>FOUND IN</u>
H1	Flat Washer	1/4"	4	5-46-0640
H104	Lag Bolt	5/16" x 2"	4	5-46-0640
N5/N72	Safety Handle		2	5-24-0224/0228

Binoculars Parts List

<u>F/N#</u>	<u>DESCRIPTION</u>	<u>DIMENSION</u>	<u>QTY</u>	<u>FOUND IN</u>
H1	Flat Washer	1/4"	2	Binoculars Bag
H8	SAE Washer	3/8"	1	Binoculars Bag
H22	Nylock Nut	1/4"	1	Binoculars Bag
H115	Lag Bolt	3/8" x 3"	1	Binoculars Bag
H185	Hex Bolt	1/4" x 4 1/4"	1	Binoculars Bag
N84	Binoculars with Base		1	Binoculars Bag

Grab-n-Go Bar Parts List

<u>F/N#</u>	<u>DESCRIPTION</u>	<u>DIMENSION</u>	<u>QTY</u>	<u>FOUND IN</u>
H1	Flat Washer	1/4"	2	5-46-0640
H104	Lag Bolt	5/16" x 2"	2	5-46-0640
N236	Grab-n-Go Bar		1	5-24-0227

Ship's Wheel Parts List

<u>F/N#</u>	<u>DESCRIPTION</u>	<u>DIMENSION</u>	<u>QTY</u>	<u>FOUND IN</u>
H120	Lag Bolt	3/8" x 6"	1	Ship's Wheel Bag
H157	Phillips Pan Head Screw	#10 x 1"	2	Ship's Wheel Bag
N86	Ship's Wheel w/Washer and Clicker		1	Ship's Wheel Bag

Rainbow Rock Wall Parts List

<u>F/N#</u>	<u>DESCRIPTION</u>	<u>DIMENSION</u>	<u>QTY</u>	<u>FOUND IN</u>
H7	SAE Flat Washer	1/4"	36	5-46-0385
H32	4 Prong T-Nut	1/4"	18	5-46-0385
H166	Phillips Pan Head Tap Screw	#14 x 1 1/2"	18	5-46-0385
H171	Phillips Pan Head Machine Screw	1/4" x 1 3/4"	18	5-46-0385
N156	Rocks (set of 6)		3	5-24-0222/0223

Ladder Handle Parts List (Per Ladder Handle)

<u>F/N#</u>	<u>DESCRIPTION</u>	<u>DIMENSION</u>	<u>QTY</u>	<u>FOUND IN</u>
H1	Flat Washer	1/4"	2	5-46-0640
H104	Lag Bolt	5/16" x 2"	2	5-46-0640
N213	Ladder Handle		1	Loose

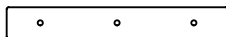
Bubble Panel Parts List

<u>F/N#</u>	<u>DESCRIPTION</u>	<u>DIMENSION</u>	<u>QTY</u>	<u>FOUND IN</u>
H2	Flat Washer	5/16"	12	5-46-0235
H3	Flat Washer	3/8"	12/6	5-46-0235/5-46-0382
H10	Lock Washer	5/16"	12	5-46-0235
H27	Brass Acorn Nut	5/16"	12	5-46-0235
H37	Carriage Bolt	5/16" x 1"	12	5-46-0235
H116	Lag Bolt	3/8" x 3 1/2"	6	5-46-0382
N252	Lexan Bubble		1	Loose
N253	Bubble Panel	31" x 32 1/2" x 3/8"	1	Loose

Commercial Tic Tac Toe (Green) Parts List

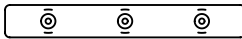
<u>F/N#</u>	<u>DESCRIPTION</u>	<u>DIMENSION</u>	<u>QTY</u>	<u>FOUND IN</u>
H3	Flat Washer	3/8"	2, 4	5-46-0317, 5-46-0534
H4	Flat Washer	1/2"	2, 6	5-46-0317, 5-46-0534
H11	Lock Washer	3/8"	2, 6	5-46-0317, 5-46-0534
H17	Standard Nut	3/8"	2	5-46-0317
H18	Standard Nut	1/2"	6	5-46-0534
H28	Acorn Nut	3/8"	2	5-46-0317
H29	Acorn Nut	1/2"	6	5-46-0534
H52	Carriage Bolt	3/8" x 4 1/2"	2	5-46-0317
H119	Lag Bolt	3/8" x 5"	4	5-46-0534
N255	TTT Cylinders (Green)		9	5-21-0582
N256	Threaded Rod	1/2" x 36"	3	5-22-0024

607



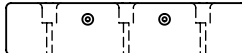
2 @ 1 x 4 x 23" TTT INSERT (1-01-0198)

733



1 @ 4 x 4 x 25" TTT BOTTOM MOUNTING BOARD (1-06-0676)

734



2 @ 4 x 6 x 25" TTT TOP MOUNTING BOARD (1-07-0682)

Step 1

Package 1 Wall Assembly

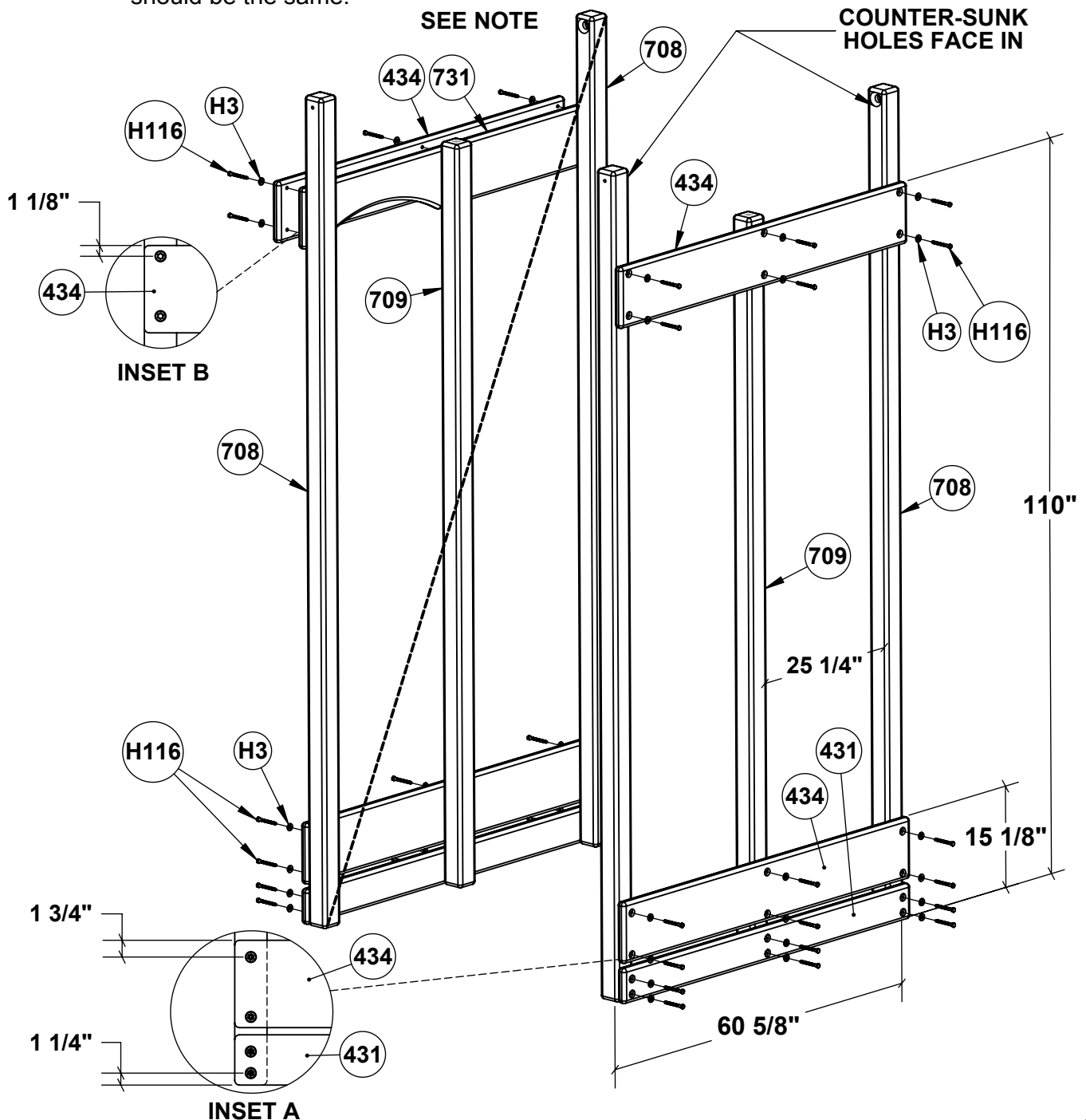
***SUGGESTION:** Pre-drill 1/8" pilot holes for all 1/4" and 5/16" lag bolts and 1/4" holes for all 3/8" lag bolts.

***NOTE:** Holes on Facias (431) (434) are offset, orient properly (as shown in Inset A and B).

***NOTE:** If building Commercial Package 3 install Right Arched Facia (731) (as shown). If building Commercial Package 1, install 6 Hole Sandbox Facia (434).

1. Lay Corner Uprights (708) and Center Upright (709) flat on the ground with counter-sunk holes facing in towards each other.
2. Position Facias (431) (434) (731) per below diagrams and attach to Uprights (708) (709) using 3/8" Hardware (H3) (H116).

***NOTE:** Measure from the farthest corners opposite of one another (as shown by dashed line) on Corner Uprights (708) to check that each wall assembly is square. Measurements should be the same.



Step 2

Package 1 Wall Assembly

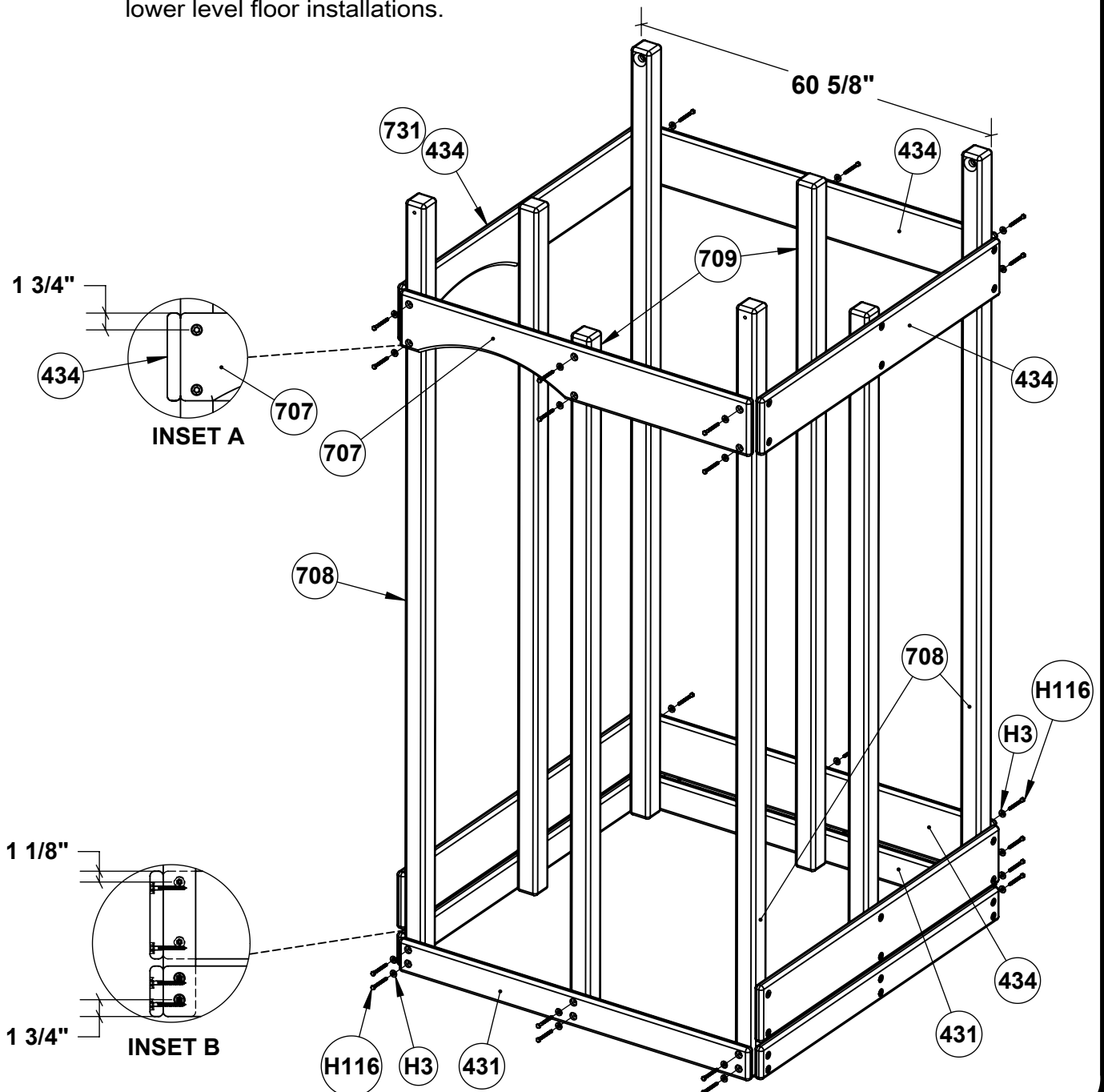
***SUGGESTION:** Pre-drill 1/8" pilot holes for all 1/4" and 5/16" lag bolts and 1/4" holes for all 3/8" lag bolts.

***NOTE:** Holes on Facias (431) (434) are offset, orient properly (as shown in Inset A and B).

1. Position wall assemblies on end and attach Facias (431) (434) and Arched Facia (707) to Corner Uprights (708) and Center Upright (709) using 3/8" Hardware (H3) (H116).

***NOTE:** Check that the assembly is level and square now and periodically throughout construction.

***NOTE:** At this time turn to Step 45, page 71 to layout anchoring Stakes for Package 1 or 3 as needed. Stakes that attach to uprights must be located prior to completing deck and lower level floor installations.



Step 3

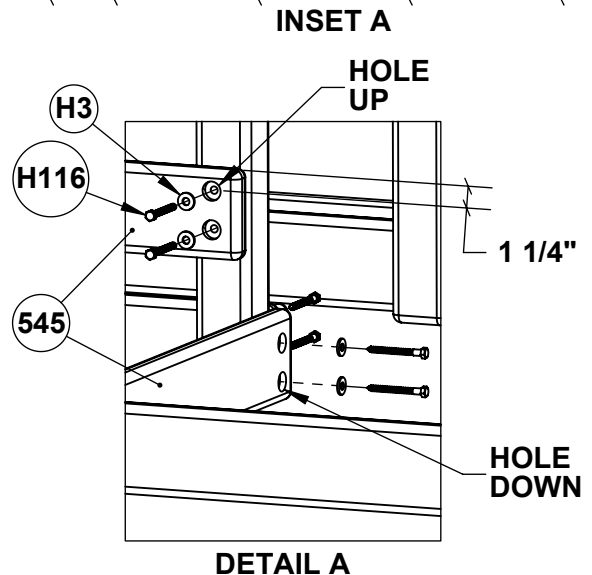
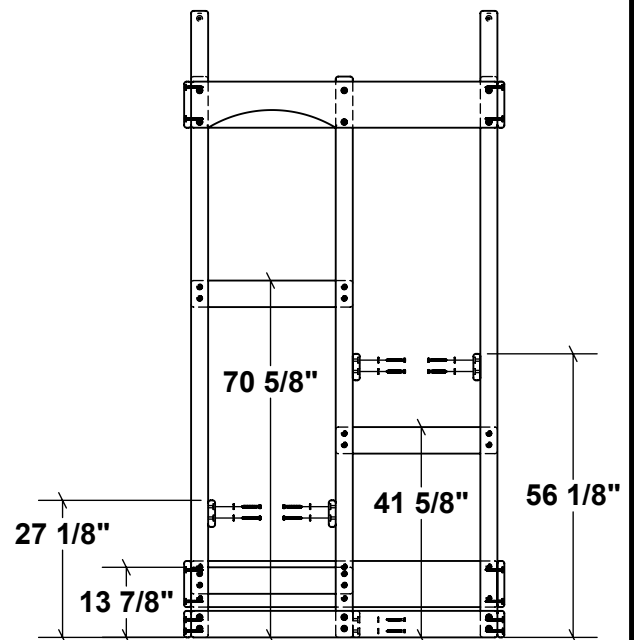
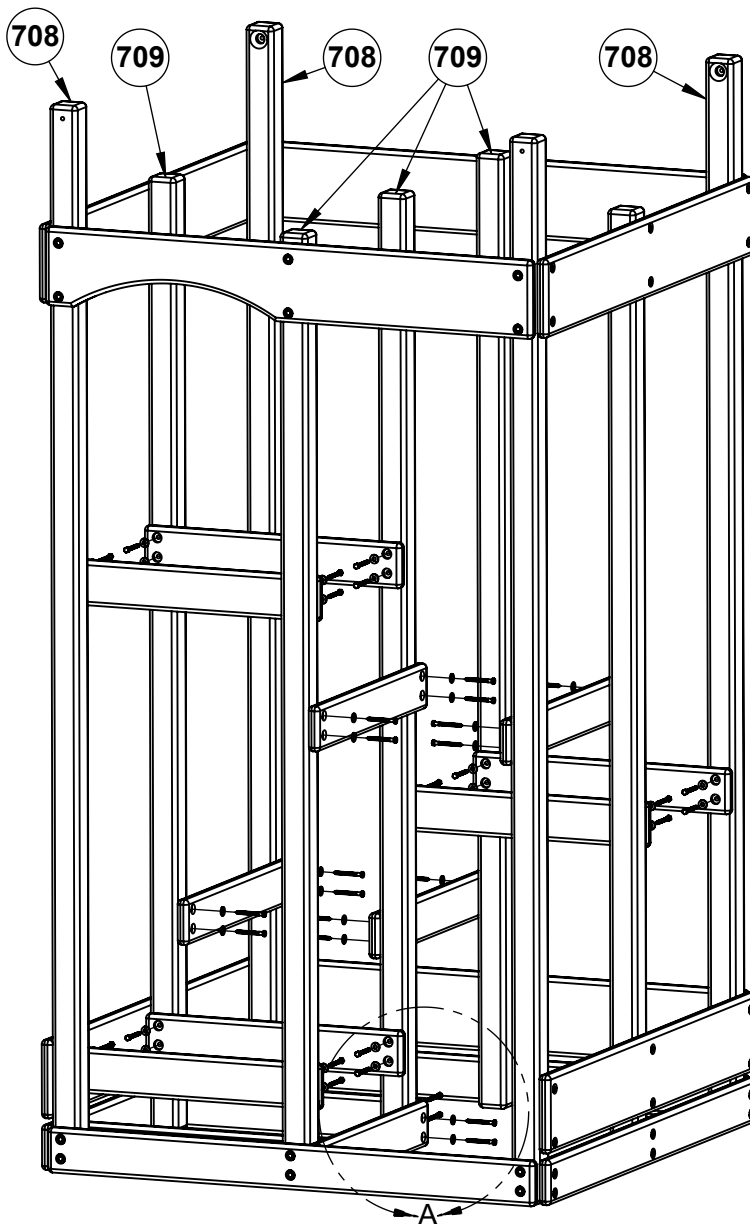
Deck Support Installation

***SUGGESTION:** Pre-drill 1/4" holes for all 3/8" lag bolts.

***NOTE:** Holes on 4 Hole Facias (545) are offset, orient properly (as shown in Detail A).

***NOTE:** All dimensions shown in Inset A are from the bottoms of Uprights (708) (709) to the tops of 4 Hole Facias (545).

1. Place two 4 Hole Facias (545) flush with the bottoms of Center Uprights (709) and attach using 3/8" Hardware (H3) (H116).
2. Measure and mark locations for 4 Hole Facias (545) on the appropriate Uprights (708) (709) as shown in the below diagrams.
3. Orient 4 Hole Facias (545) with holes nearest to the edge of the board up and attach to Uprights (708) (709) using 3/8" Hardware (H3) (H116).



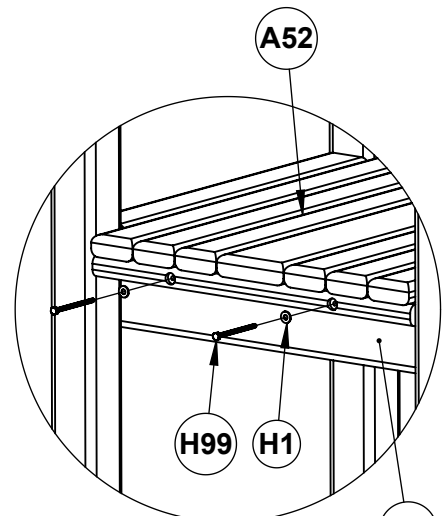
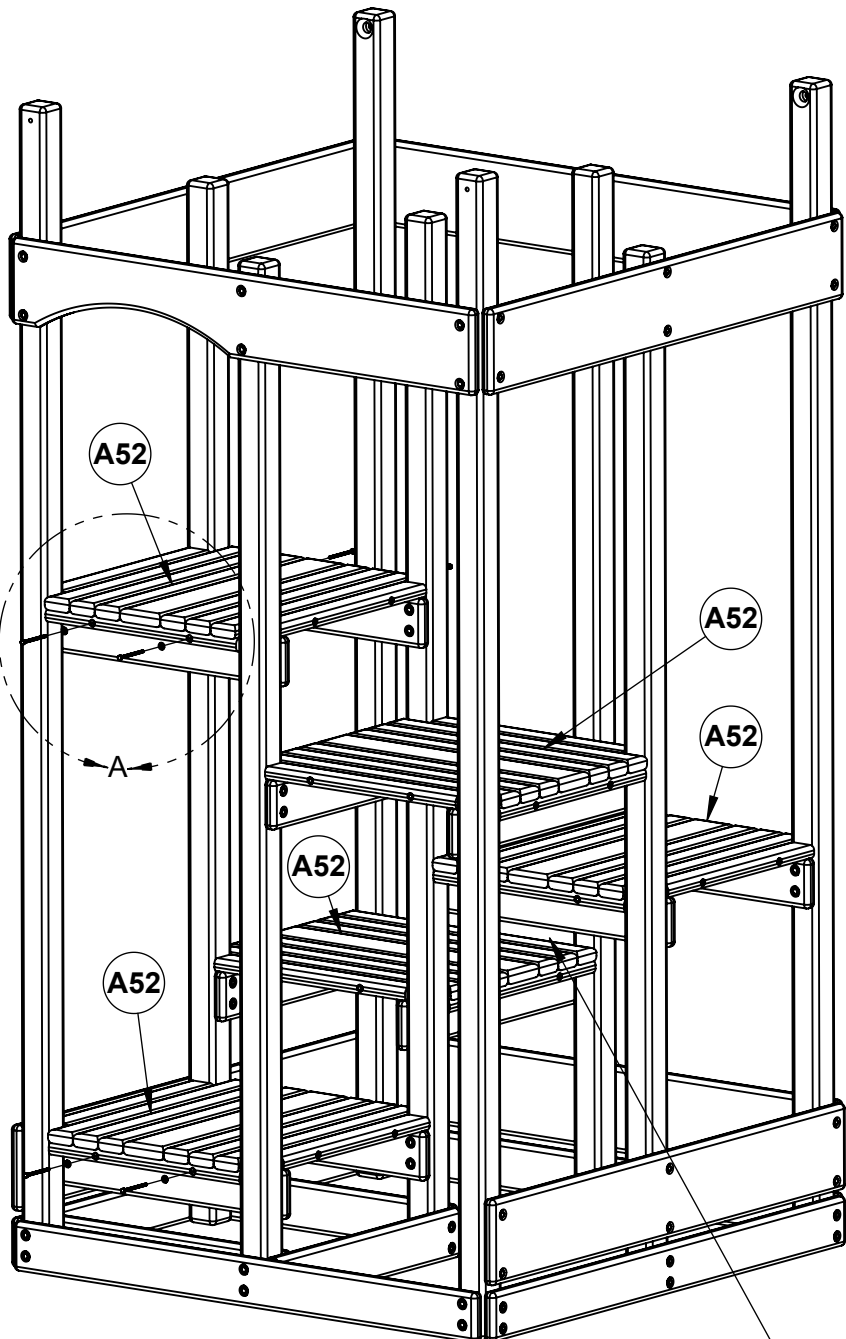
Step 4

Deck Installation

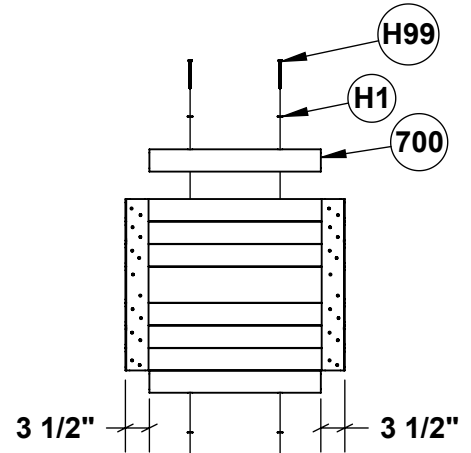
***SUGGESTION:** Pre-drill 1/8" pilot holes for all 1/4" lag bolts.

***NOTE:** If installing Green Tic Tac Toe Panel, do not install Rail Top (700) on the outside of the second deck.

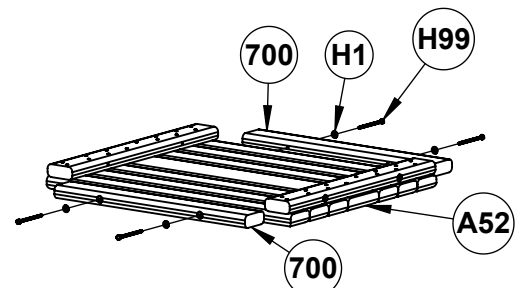
1. Lay BGB Decks (A52) on a flat surface with tops down.
2. Center Rail Tops (700) on BGB Decks (A52) and attach using 1/4" Hardware (H1) (H99) (as shown in Inset A).
3. Place Deck Assemblies on top of 4 Hole Facias (545) and attach using 1/4" Hardware (H1) (H99).



DETAIL A



INSET A



IF INSTALLING GREEN TIC TAC TOE PANEL DO NOT INSTALL RAIL TOP (700) IN THIS LOCATION (SECOND DECK)

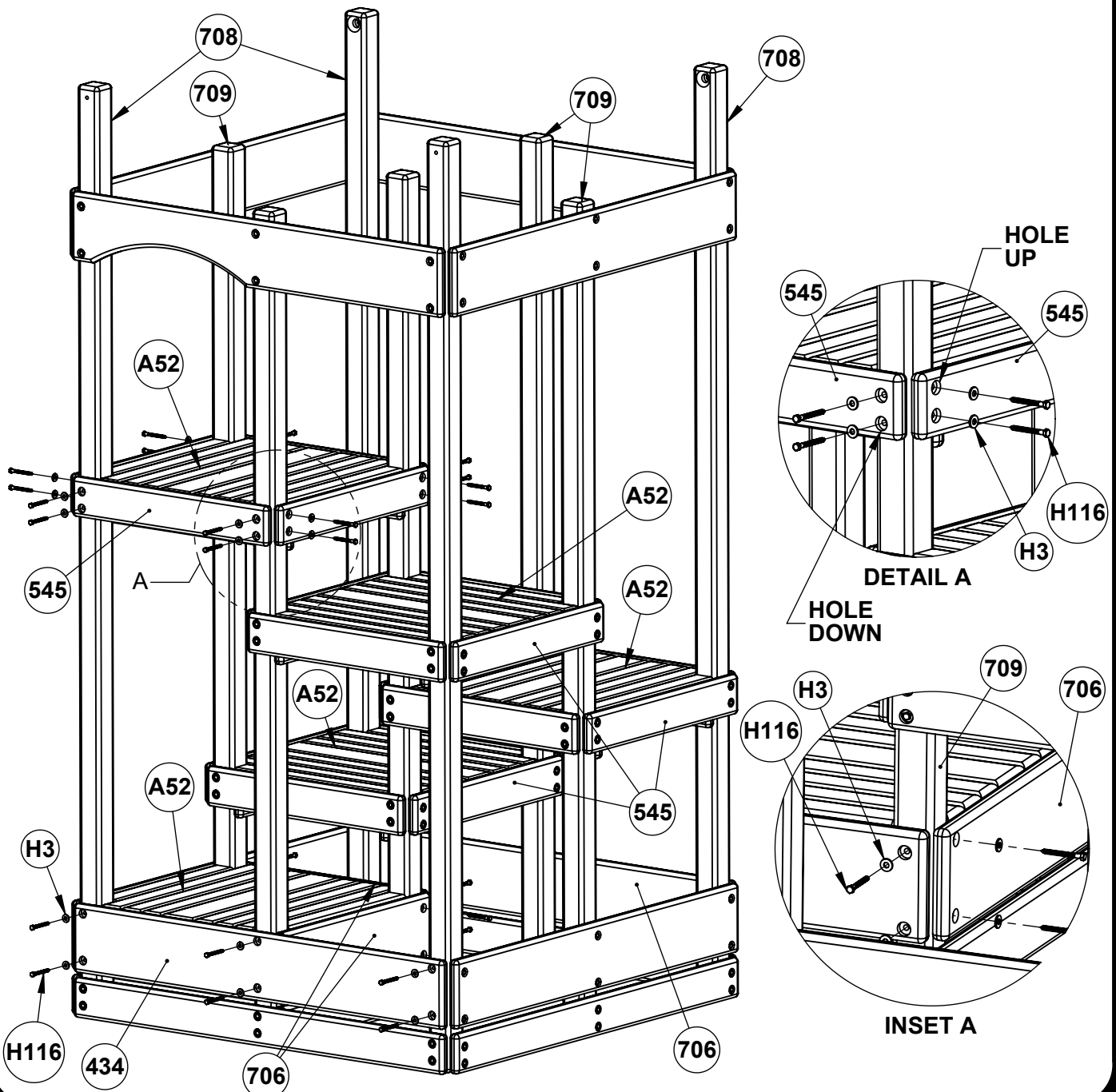
Step 5

Deck Facia Installation

***SUGGESTION:** Pre-drill 1/4" pilot holes for all 3/8" lag bolts.

***NOTE:** Holes on 4 Hole Facias (545) are offset, orient properly (as shown in Detail A).

1. Orient 4 Hole Facias (545) (as shown) with tops flush with BGB Decks (A52) and attach using 3/8" Hardware (H3) (H116).
2. Orient 4 Hole Sandbox Facias (706) (as shown in Inset A) and attach using 3/8" Hardware (H3) (H116).
3. Orient 6 Hole Sandbox Facia (434) (as shown) and attach using 3/8" Hardware (H3) (H116).



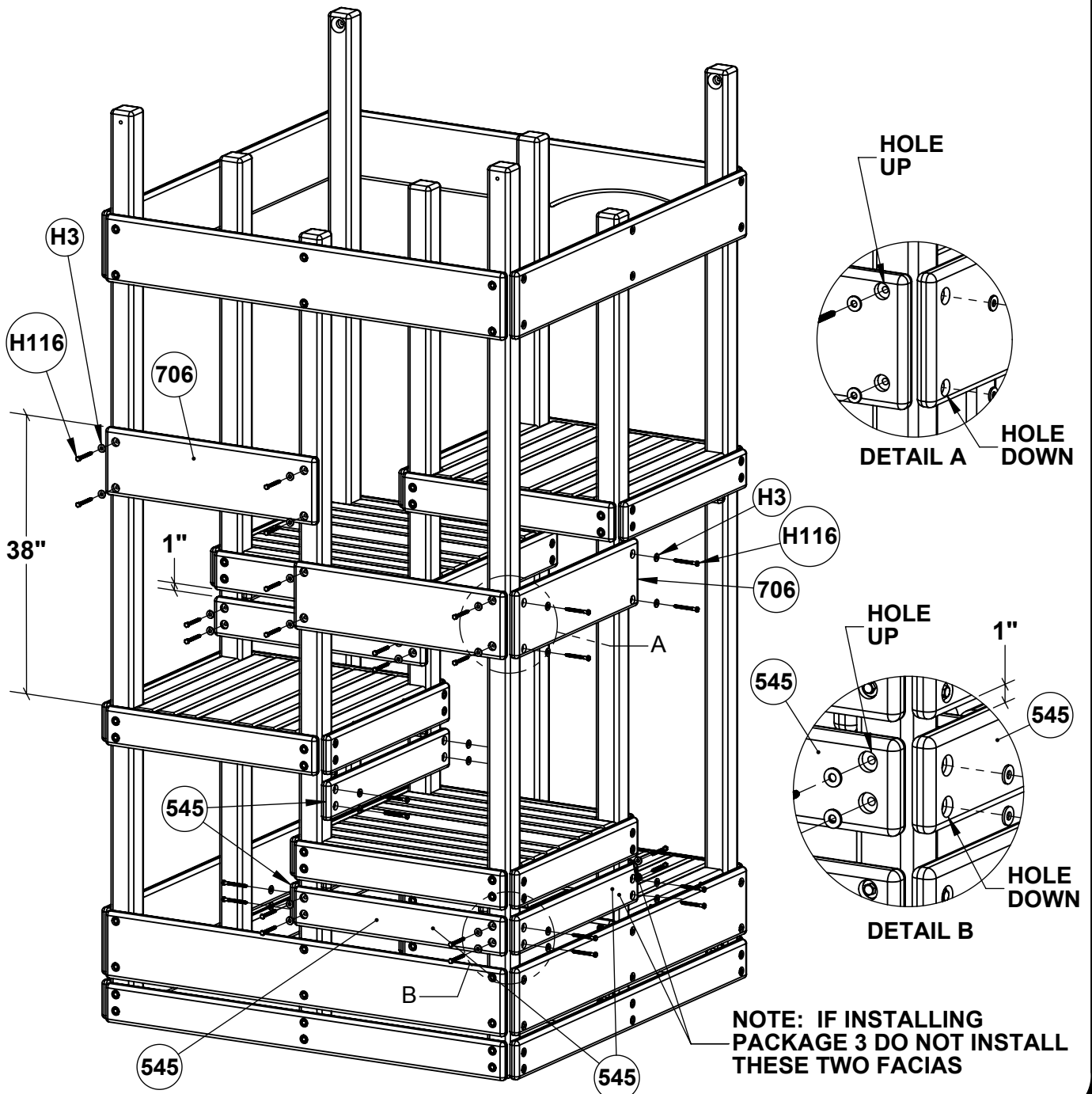
Step 6

Facia Installation

***SUGGESTION: Pre-drill 1/4" pilot holes for all 3/8" lag bolts.**

***NOTE: Holes on 4 Hole Facias (545) (706) are offset, orient properly (as shown in Detail A & B).**

1. Position and orient 4 Hole Facias (545) (as shown) and attach using 3/8" Hardware (H3) (H116).
2. Orient 4 Hole Sandbox Facias (706) (as shown in Detail A) and attach using 3/8" Hardware (H3) (H116).



Step 7

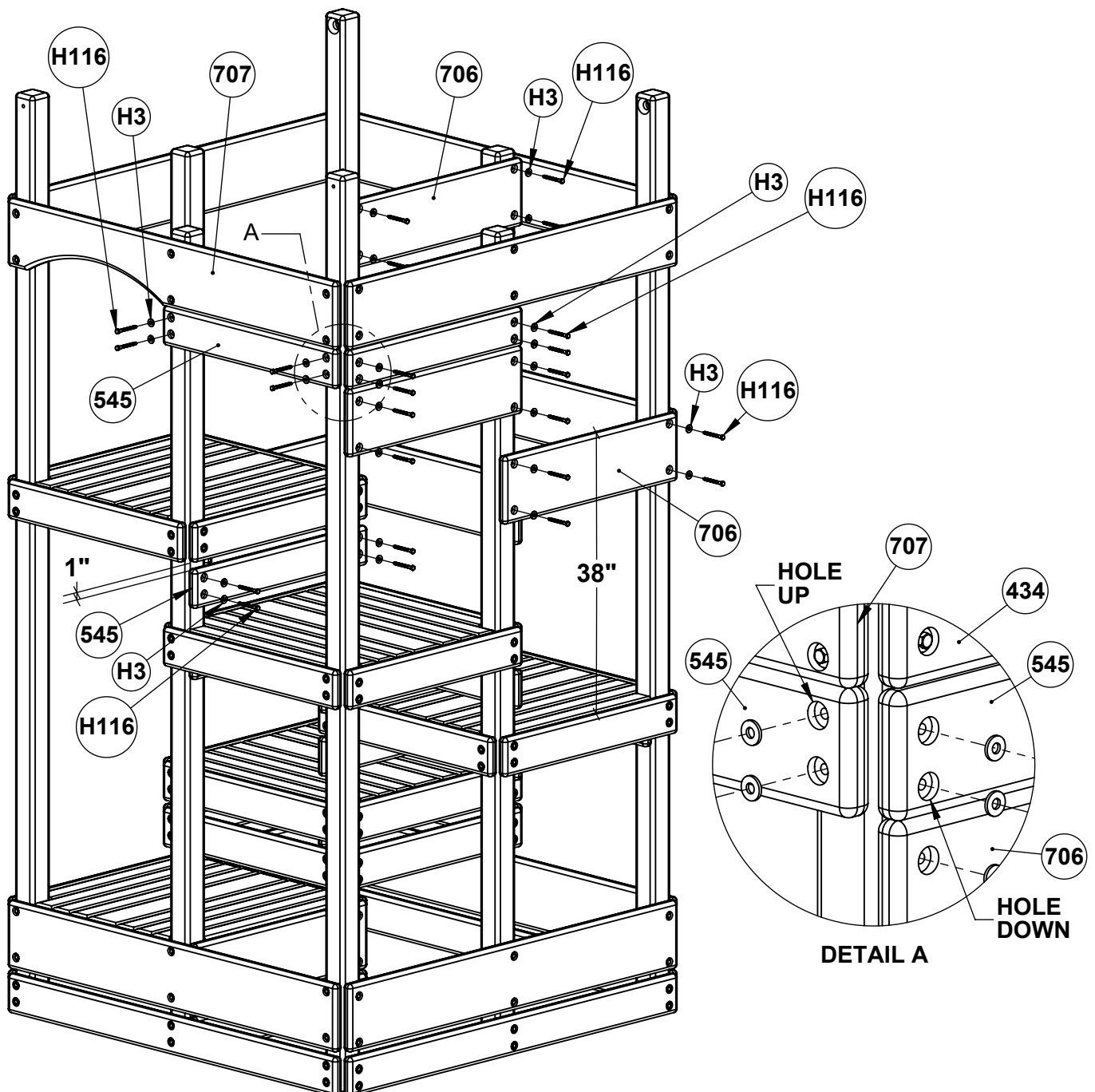
Facia Installation

***SUGGESTION:** Pre-drill 1/4" pilot holes for all 3/8" lag bolts.

***NOTE:** Holes on 4 Hole Facias (545) (706) are offset, orient properly (as shown in Detail A).

1. Position and orient 4 Hole Facias (545) (in locations shown) and attach using 3/8" Hardware (H3) (H116).
2. Orient 4 Hole Sandbox Facias (706) (as shown) and attach using 3/8" Hardware (H3) (H116).

***NOTE:** There should be no spaces between the mating top and bottom surfaces of Facias (545) (706) (707) (434) (as shown in Detail A).



Step 8

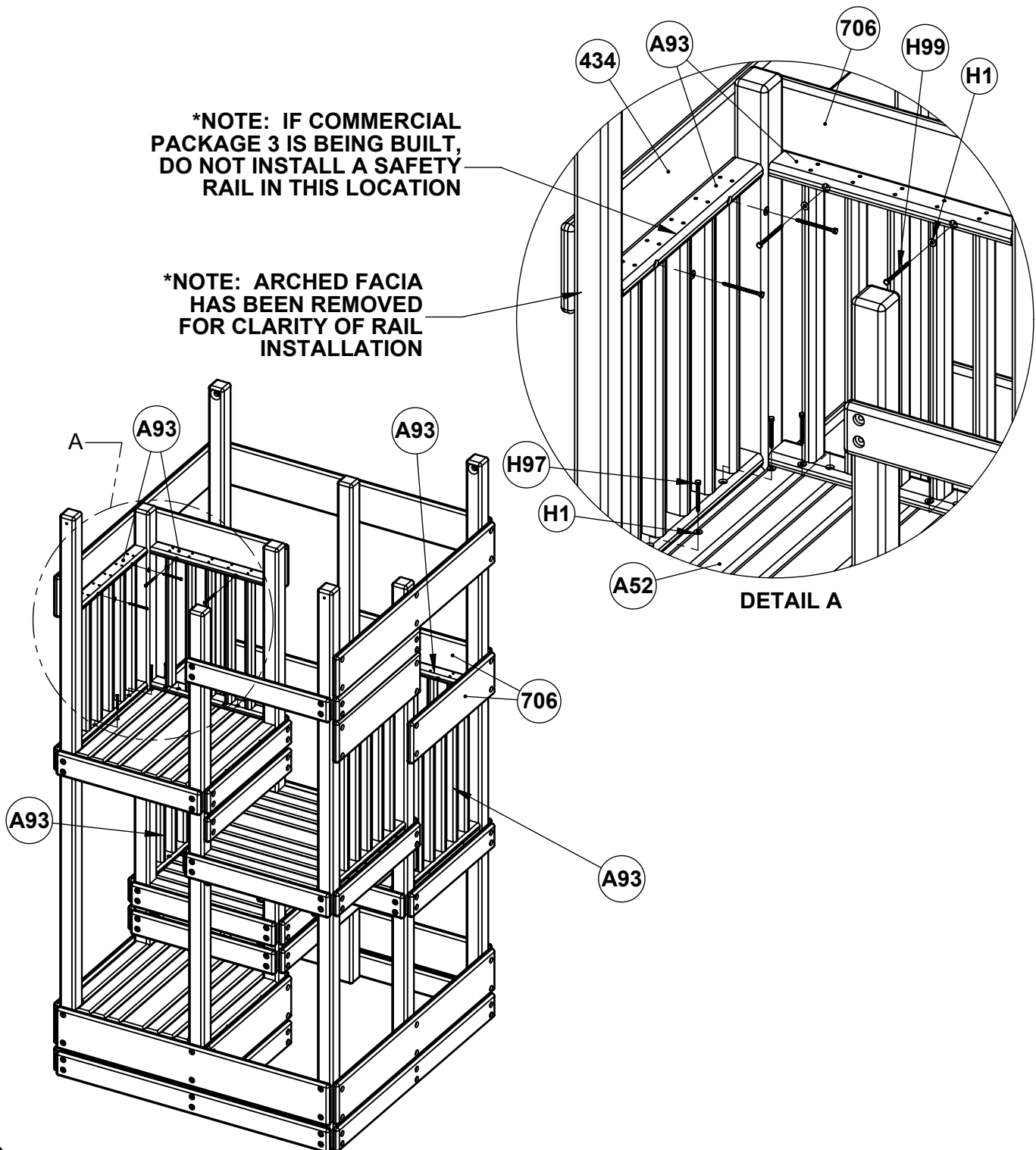
Safety Rail Installation

***SUGGESTION:** Pre-drill 1/4" pilot holes for all 3/8" lag bolts.

1. Position Safety Rails (A93) (in locations shown) and attach to Facias using 1/4" Hardware (H1) (H99) and attach to Decks (A52) using 1/4" Hardware (H1) (H97).

***NOTE:** IF COMMERCIAL PACKAGE 3 IS BEING BUILT, DO NOT INSTALL A SAFETY RAIL IN THIS LOCATION

***NOTE:** ARCHED FACIA HAS BEEN REMOVED FOR CLARITY OF RAIL INSTALLATION



Step 9

Wood Roof Installation

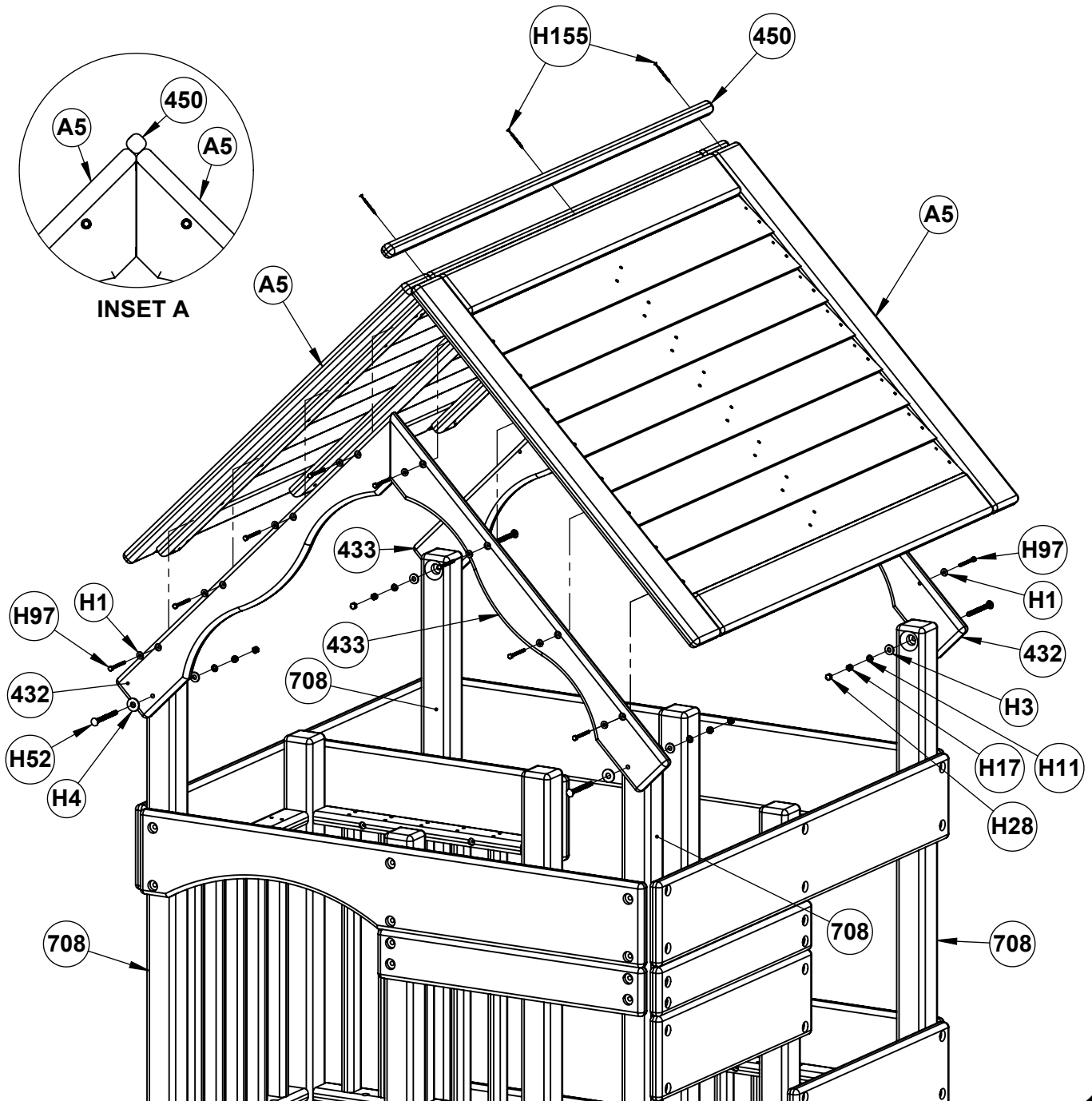
1. Attach Right Roof Supports (433) and Left Roof Supports (432) to Corner Uprights (708) using 3/8" Hardware (H3) (H11) (H17) (H28) (H52) and 1/2" Hardware (H4).

***NOTE:** Do not tighten Hardware completely at this time.

2. Attach Roof Panels (A5) to Roof Supports (432) (433) using 1/4" Hardware (H1) (H97).

***NOTE:** Top edge of Roof Panels (A5) must be flush with the tops of the Roof Supports when properly installed (as shown in Inset A).

3. Attach Roof Cap (450) to Roof Panel (A5) using #8 Hardware (H155).



Step 10

Fan Installation

***NOTE:** Tighten all Roof Hardware at this time.

***NOTE:** Countersink (approximately 1/4" deep) bottom holes of Fans (A6) using a 3/4" Diameter drill bit.

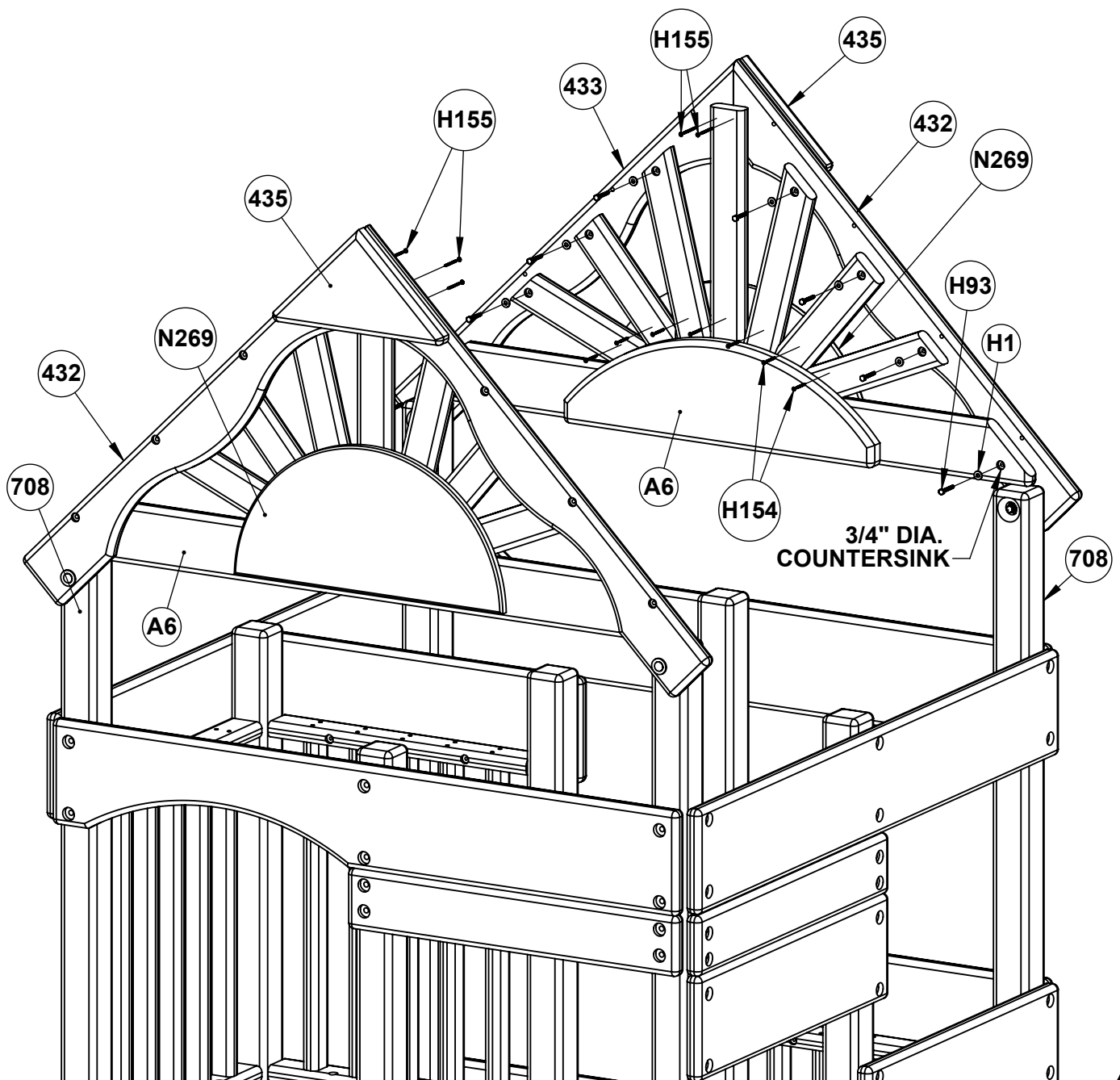
1. Position Peak Facia (435) flush with the tops of Roof Supports (432) (433) and attach using #8 Hardware (H155).

***NOTE:** Routed edge of Peak Facia (435) must face to the outside when properly installed.

2. Center Fan Center (N269) on Fans (A6) and attach using #8 Hardware (H154).
3. Attach Fan (A6) to Roof Supports (432) (433) using 1/4" Hardware (H1) (H93) and #8 Hardware (H155).

***NOTE:** Bottom edge of Fan (A6) should rest on the tops of Corner Uprights (708).

4. Repeat for other side.



Step 11

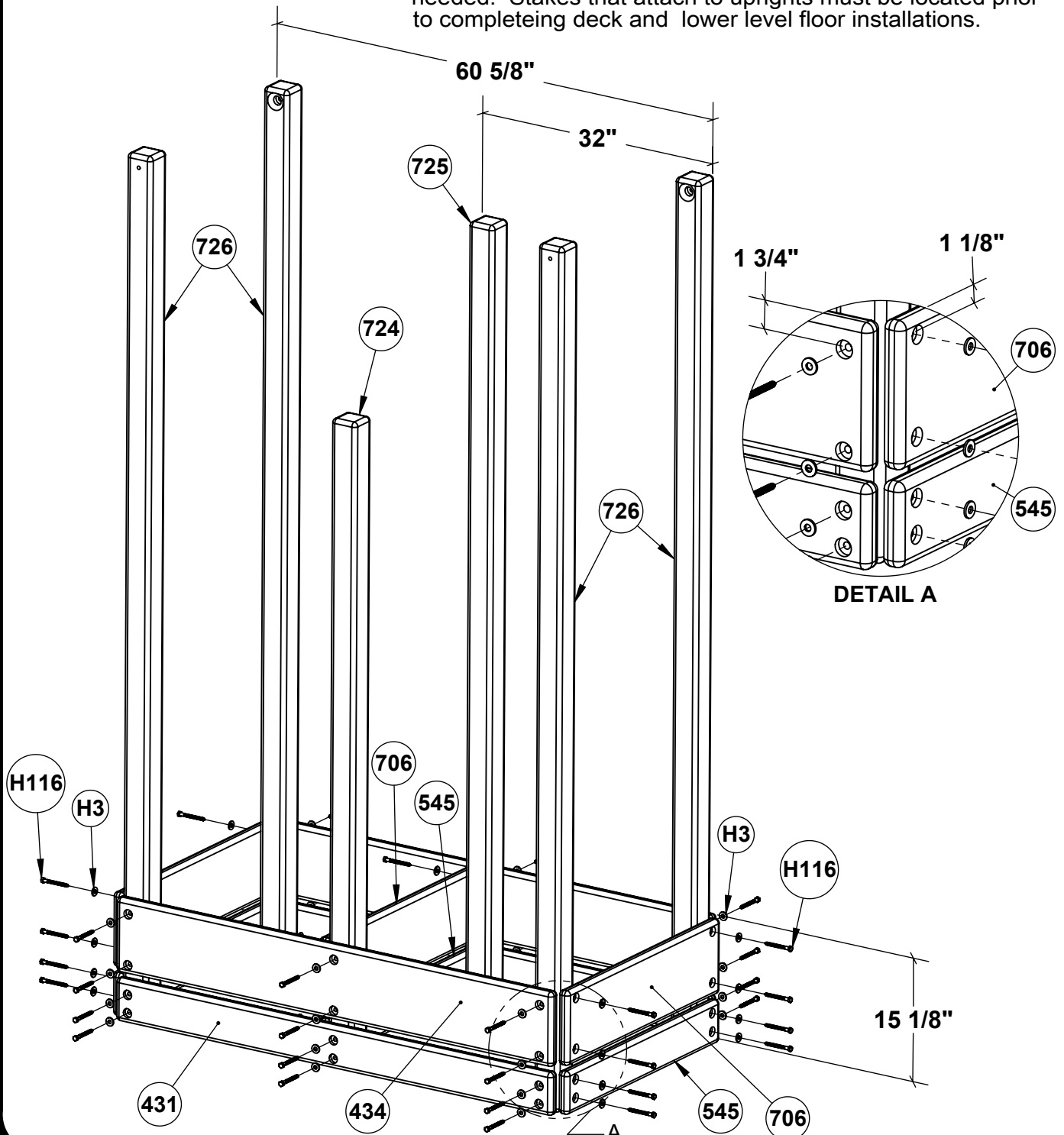
Package 2 Wall Assembly

***SUGGESTION: Pre-drill 1/4" holes for all 3/8" lag bolts.**

***NOTE: Holes on Facias (545) (431) (434) (706) are offset, orient properly (as shown in Detail A).**

1. Position Corner Uprights (726) 60 5/8" apart on a flat surface with 6 Hole Sandbox Facias (434) flush with the bottoms of Corner Uprights (726) and attach using 3/8" Hardware (H3) (H116).
2. Center Center Uprights (724) (725) on Facias (431) (434) and attach using 3/8" Hardware (H3) (H116).
3. Orient and position Facias (545) (706) (in locations shown) and attach using 3/8" Hardware (H3) (H116).

***NOTE: At this time turn to Step 45, page 71 to layout anchoring Stakes for Package 2 or 3 as needed. Stakes that attach to uprights must be located prior to completing deck and lower level floor installations.**



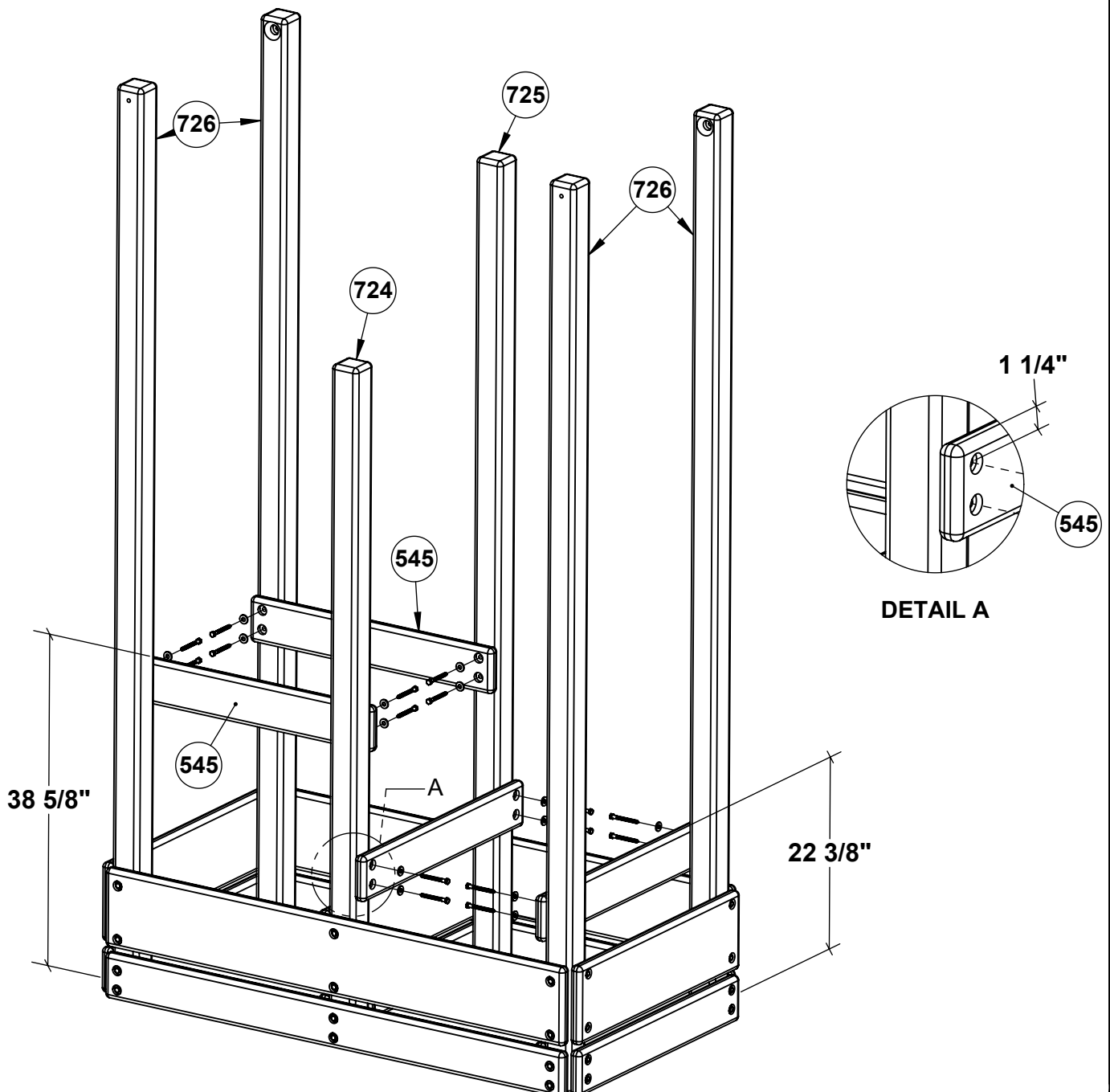
Step 12

Package 2 Wall Assembly

***SUGGESTION:** Pre-drill 1/4" holes for all 3/8" lag bolts.

***NOTE:** Holes on 4 Hole Facias (545) are offset, orient properly (as shown in Detail A).

1. Measure and mark on Corner Uprights (726) and Center Uprights (724) (725) 22 3/8" and 38 5/8" (as shown).
2. Orient and position 4 Hole Facias (545) in marked locations and attach using 3/8" Hardware (H3) (H116).



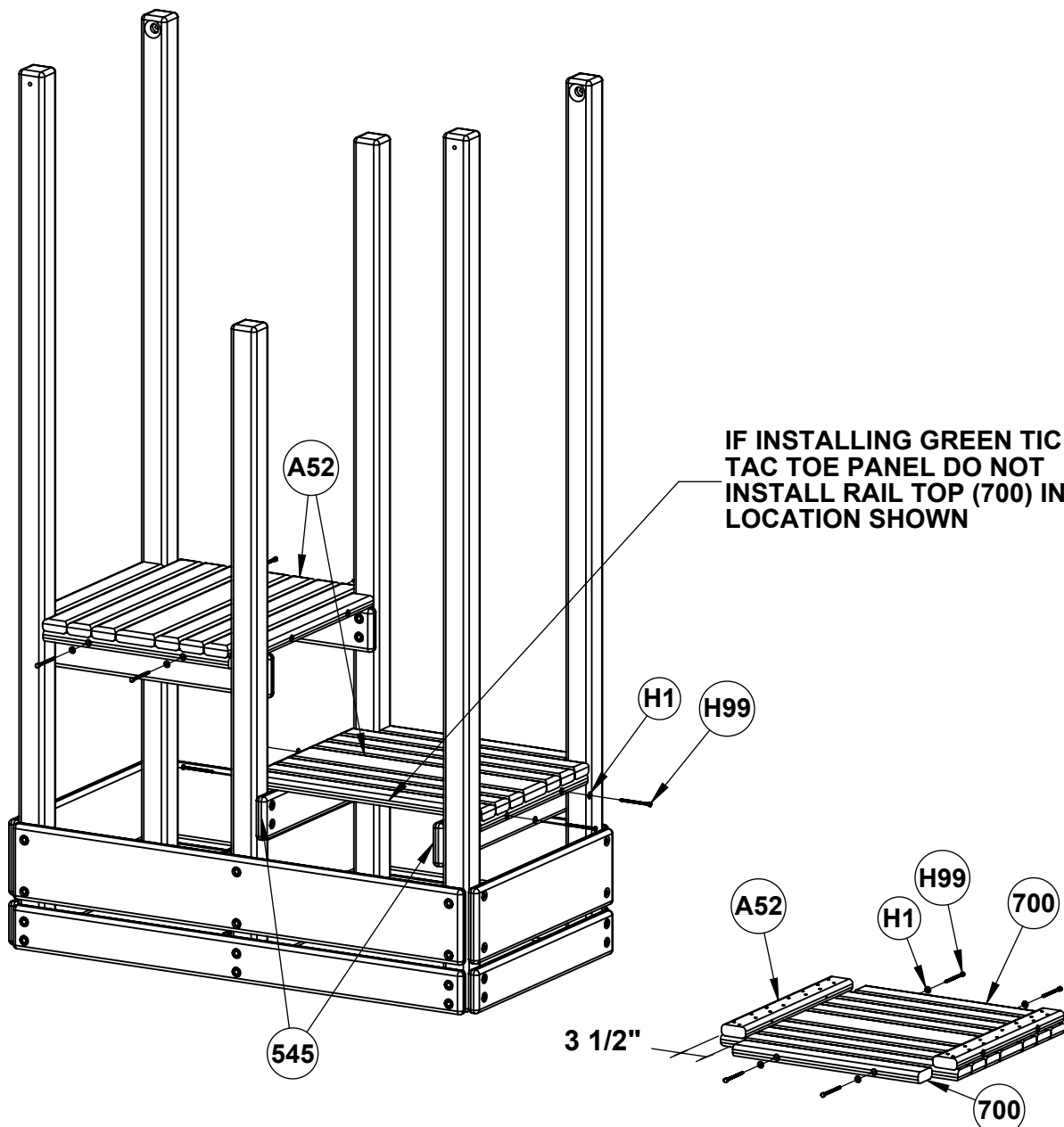
Step 13

Deck Installation

***SUGGESTION:** Pre-drill 1/8" pilot holes for all 1/4" lag bolts.

***NOTE:** If installing Green Tic Tac Toe Panel, only attach one Rail Top (700) to the first Deck (A52) (as shown).

1. Lay BGB Decks (A52) on a flat surface with tops down.
2. Center Rail Tops (700) on BGB Decks (A52) and attach using 1/4" Hardware (H1) (H99) (as shown in Inset A).
3. Place Deck Assemblies on top of 4 Hole Facias (545) and attach using 1/4" Hardware (H1) (H99).



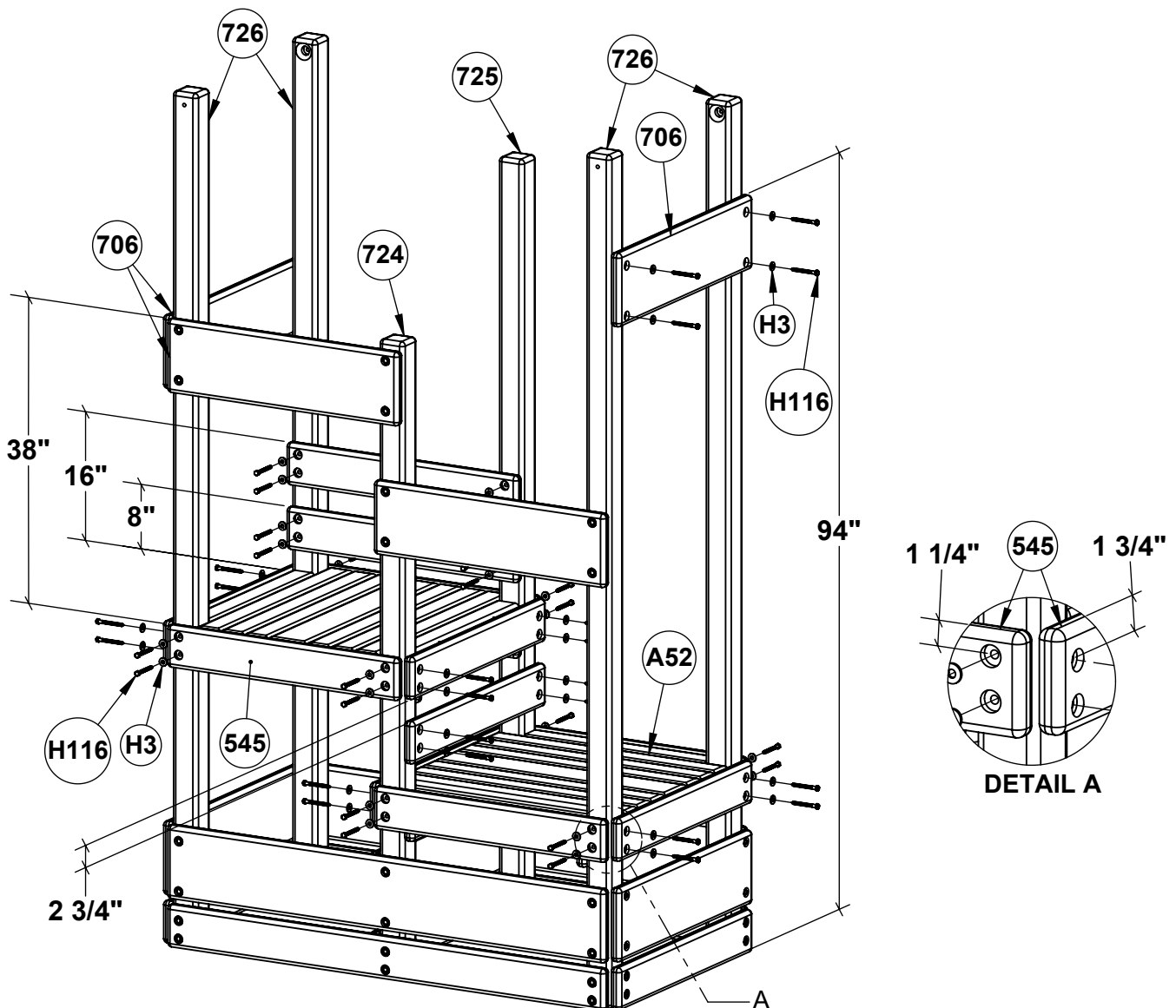
Step 14

Facia Installation

***SUGGESTION:** Pre-drill 1/4" pilot holes for all 3/8" lag bolts.

***NOTE:** Holes on 4 Hole Facias (545) are offset, orient properly (as shown in Detail A).

1. Orient 4 Hole Facias (545) (as shown) with tops flush with BGB Decks (A52) and attach using 3/8" Hardware (H3) (H116).
2. Orient 4 Hole Facias (545) (as shown between and above Decks) and attach using 3/8" Hardware (H3) (H116).
3. Orient and position 4 Hole Sandbox Facias (706) 38" up from Decks (A52) (as shown) and attach using 3/8" Hardware (H3) (H116).

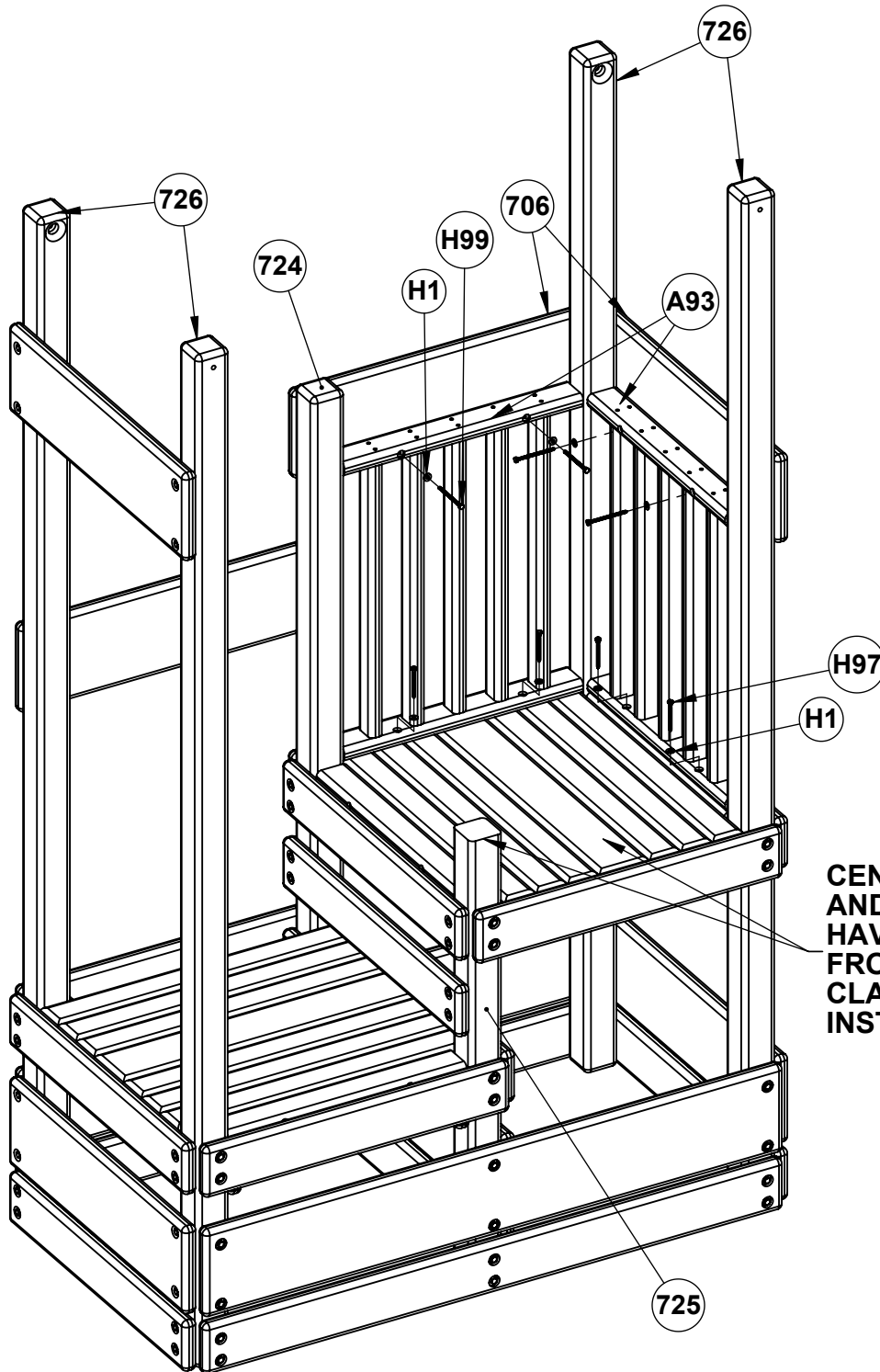


Step 15

Safety Rail Installation

***SUGGESTION:** Pre-drill 1/4" pilot holes for all 3/8" lag bolts.

1. Position Safety Rails (**A93**) (in locations shown) and attach to Facias (**706**) using 1/4" Hardware (**H1**) (**H99**) and attach to Decks (**A53**) using 1/4" Hardware (**H1**) (**H97**).



CENTER UPRIGHT (724)
AND 4 HOLE FACIAS (545)
HAVE BEEN REMOVED
FROM THIS VIEW FOR
CLARITY OF RAIL
INSTALLATION

Step 16

Wood Roof Installation

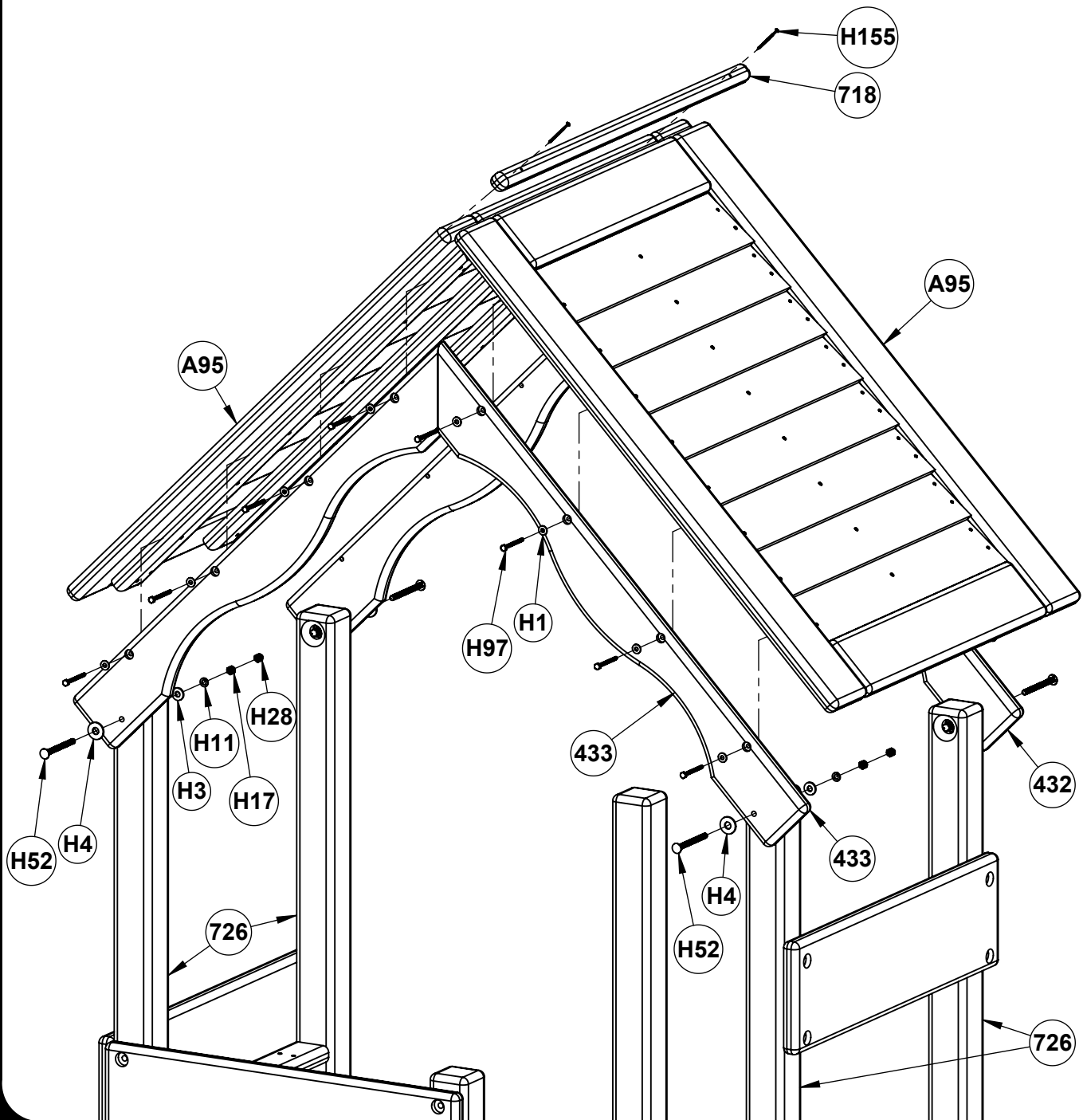
1. Attach Right Roof Supports (433) and Left Roof Supports (432) to Corner Uprights (726) using 3/8" Hardware (H3) (H11) (H17) (H28) (H52) and 1/2" Hardware (H4).

***NOTE:** Do not tighten Hardware completely at this time.

2. Attach Roof Panels (A95) to Roof Supports (432) (433) using 1/4" Hardware (H1) (H97).

***NOTE:** Top edge of Roof Panels (A95) must be flush with the tops of the Roof Supports when properly installed.

3. Attach Roof Cap (718) to Roof Panel (A95) using #8 Hardware (H155).



Step 17

Fan Installation

***NOTE:** Tighten all Roof Hardware at this time.

***NOTE:** Countersink (approximately 1/4" deep) bottom holes of Fans (A6) using a 3/4" Diameter drill bit.

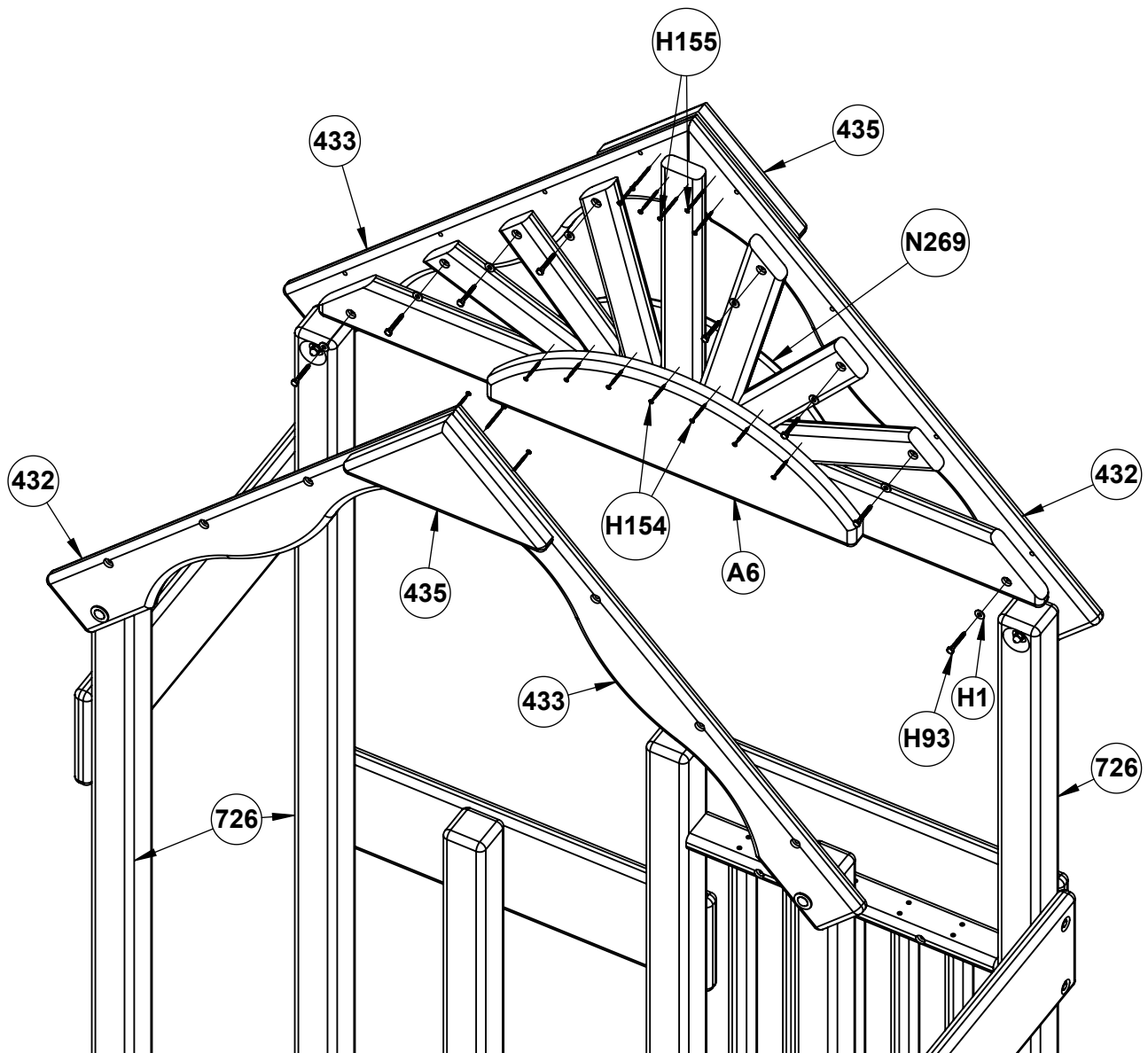
1. Position Peak Facia (435) flush with the tops of Roof Supports (432) (433) and attach using #8 Hardware (H155).

***NOTE:** Routed edge of Peak Facia (435) must face to the outside when properly installed.

2. Center Fan Center (N269) on Fans (A6) and attach using #8 Hardware (H154).
3. Attach Fan (A6) to Roof Supports (432) (433) using 1/4" Hardware (H1) (H93) and #8 Hardware (H155).

***NOTE:** Bottom edge of Fan (A6) should rest on the tops of Corner Uprights (726).

4. Repeat for other side.



Step 18

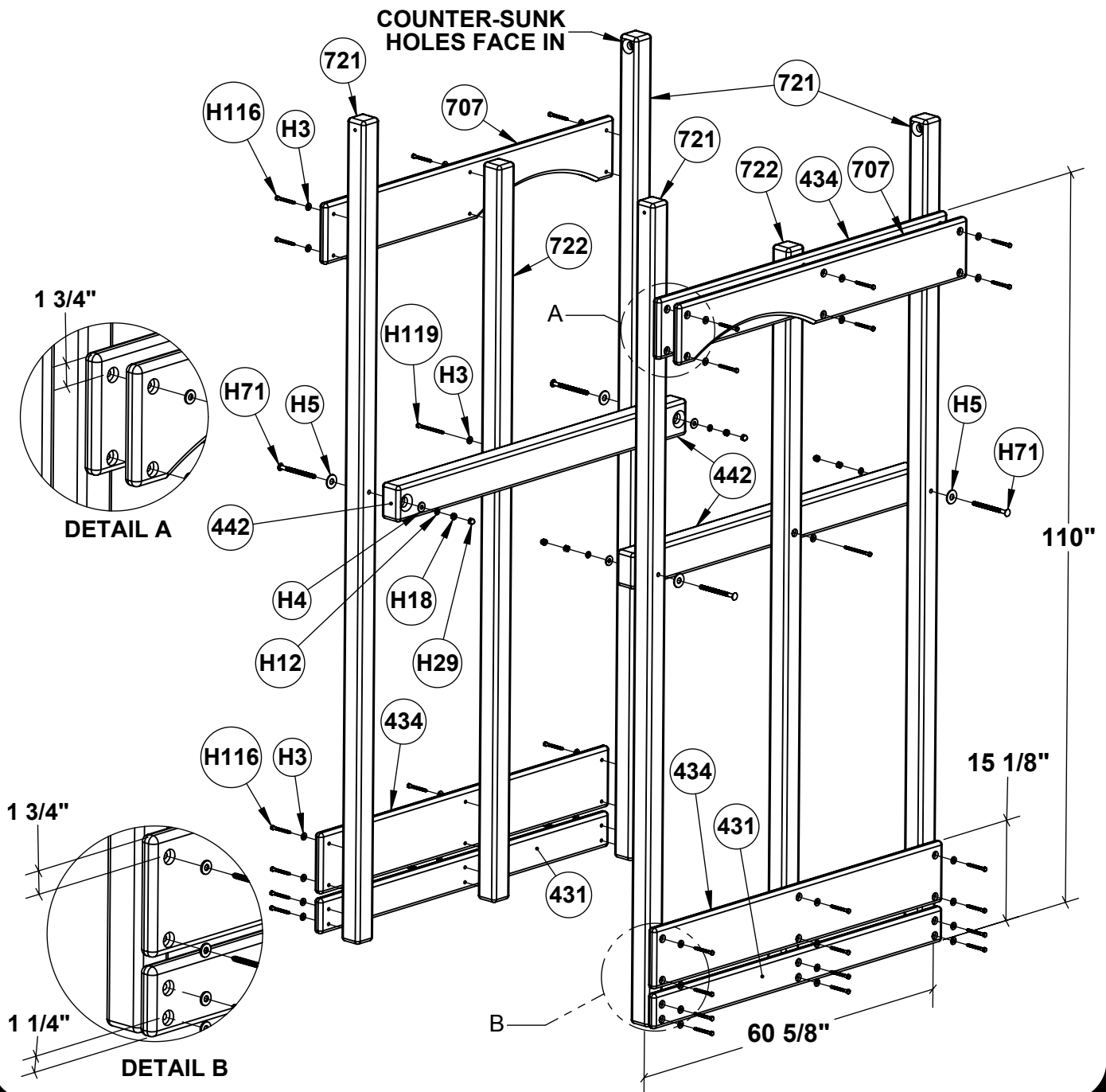
Package 2 Wall Assembly

***SUGGESTION:** Pre-drill 1/4" holes for all 3/8" lag bolts.

***NOTE:** Holes on Facias (431) (434) are offset, orient properly (as shown in Inset A and B).

***NOTE:** If building Commercial Package 3 install Left Arched Facia (707) (as shown). If building Commercial Package 2, install 6 Hole Sandbox Facia (434).

1. Lay Corner Uprights (721) and Center Upright (722) flat on the ground with counter-sunk holes facing in towards each other.
2. Attach Main Beams (442) to Corner Uprights (721) using 1/2" Hardware (H4) (H12) (H18) (H29) (H71) and 3/4" Hardware (H5).
3. Orient and position Facias (431) (434) (707) per below diagrams and attach to Uprights (721) (722) using 3/8" Hardware (H3) (H116).
4. Secure Center Upright (722) to Main Beam (442) using 3/8" Hardware (H3) (H119).



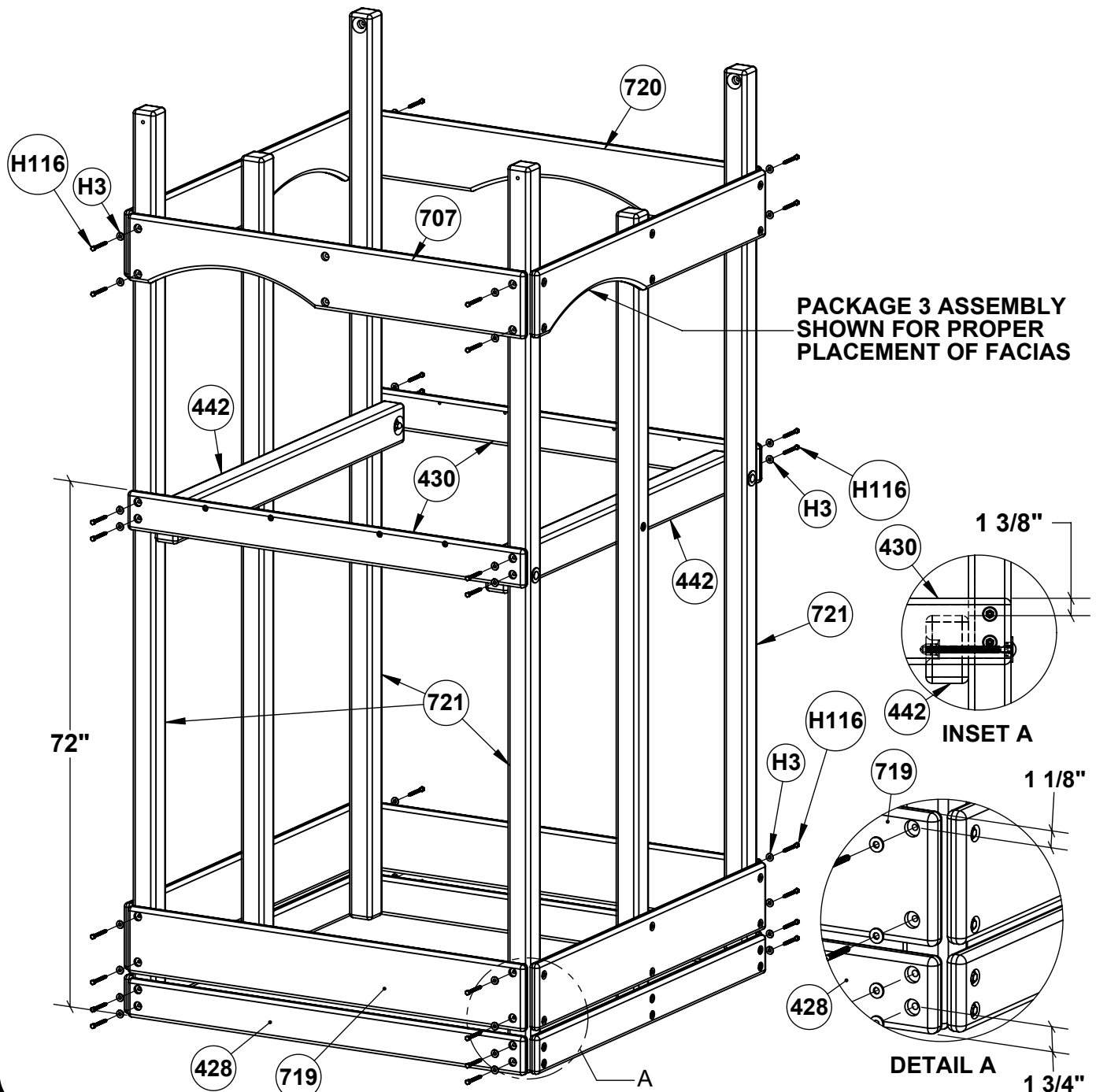
Step 19

Clubhouse Wall Assembly

***NOTE: Check level of assembly now and periodically throughout construction.**

1. Attach Facias (428) (719) to Corner Uprights (721) using 3/8" Hardware (H3) (H116).
***NOTE: Holes on Facias (428) (719) should be offset as shown in Inset A below.**
2. Measure 1 3/8" (or 72" up from bottom of Uprights) up from tops of Main Beams (442) and attach 8 Hole Deck Facias (430) to Corner Uprights (721) using 3/8" Hardware (H3) (H116).
3. Flush tops of Left Arched Facia (707) and Center Arched Facia (720) with tops of previously installed Left Arched Facias (707) and attach to Corner Uprights (721) using 3/8" Hardware (H3) (H116).

***NOTE: At this time turn to Step 45, page 71 to layout anchoring Stakes for Package 2 or 3 as needed. Stakes that attach to uprights must be located prior to completing deck and lower level floor installations.**

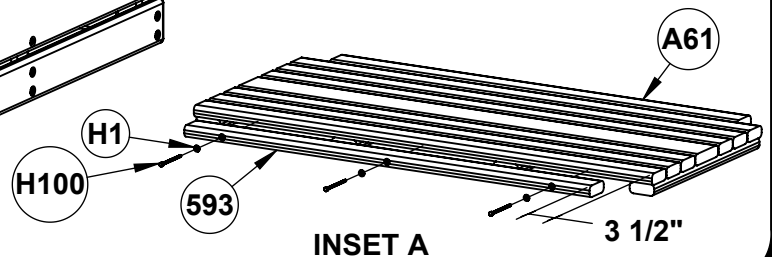
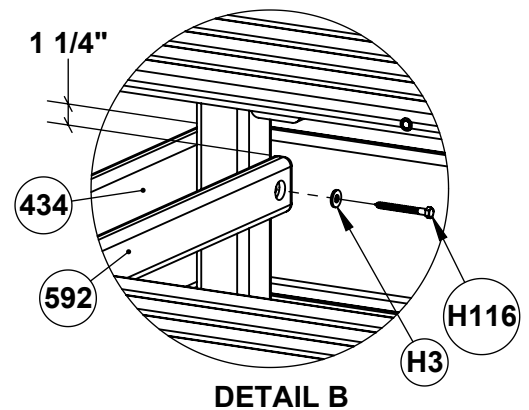
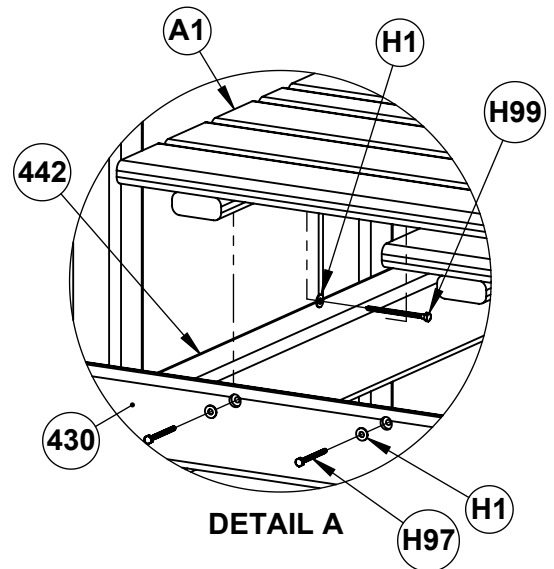
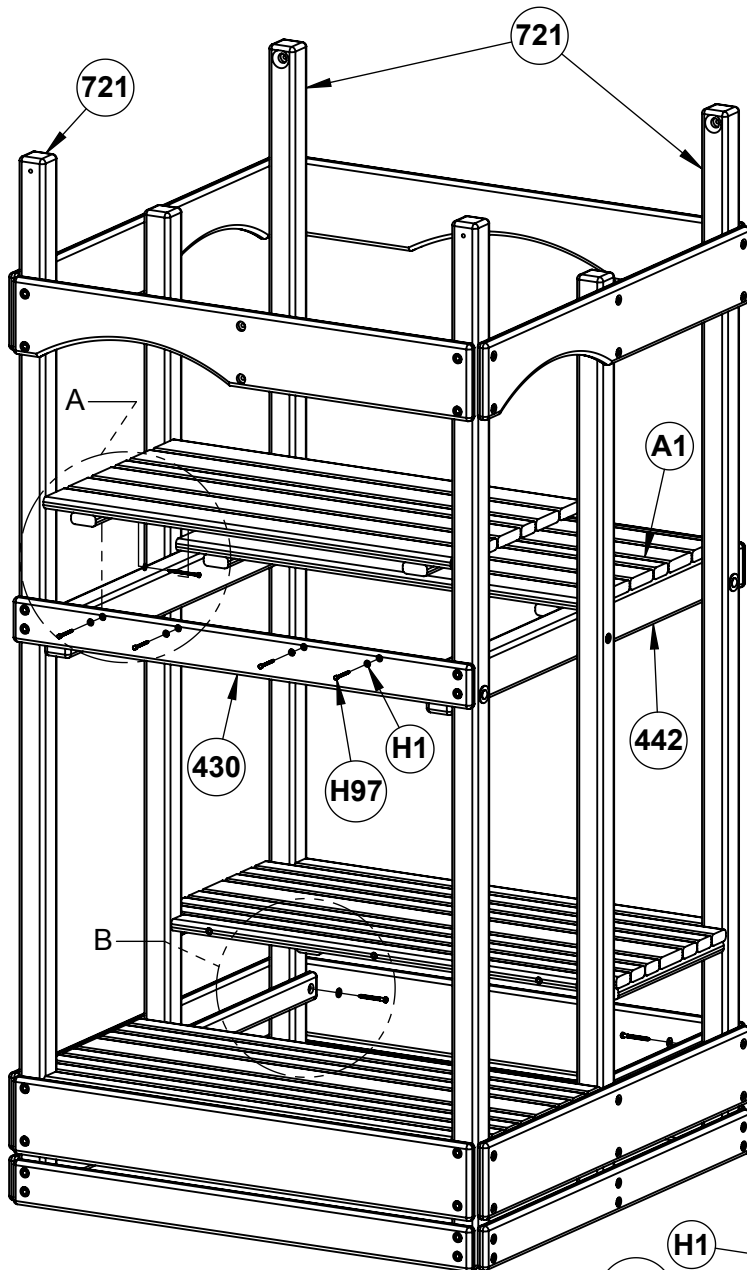


Step 20

Upper and Lower Deck Installation

***SUGGESTION:** Pre-drill 1/8" pilot holes for all 1/4" and 1/4" holes for all 3/8" lag bolts.

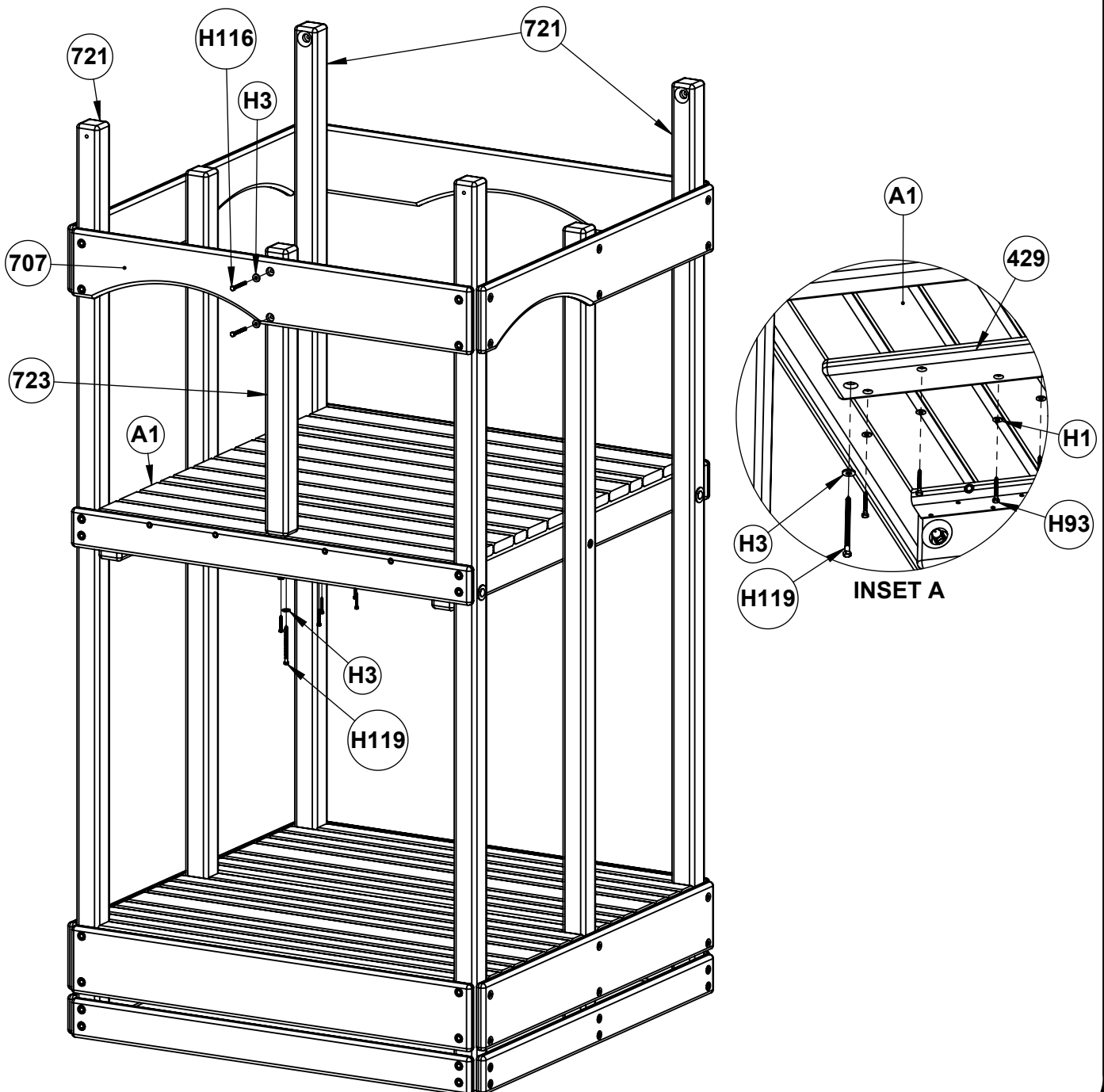
1. Position Deck Panels (A1) on top of Main Beams (442) and attach using 1/4" Hardware (H1) (H99).
2. Attach Deck Panels (A1) to 8 Hole Facias (430) using 1/4" Hardware (H1) (H97).
3. Measure down 1 3/8" from the top of 6 Hole Sandbox Facias (434) and attach 2 Hole Facias (592) to Corner Uprights (721) using 3/8" Hardware (H3) (H116).
4. Center Floor Board (593) on one of the Floor Panels (A61) (as shown) and attach using 1/4" Hardware (H1) (H100).
5. Place Floor Panels (A61) on top of 2 Hole Facias (592).



Step 21

Center Post & Deck Runner Installation

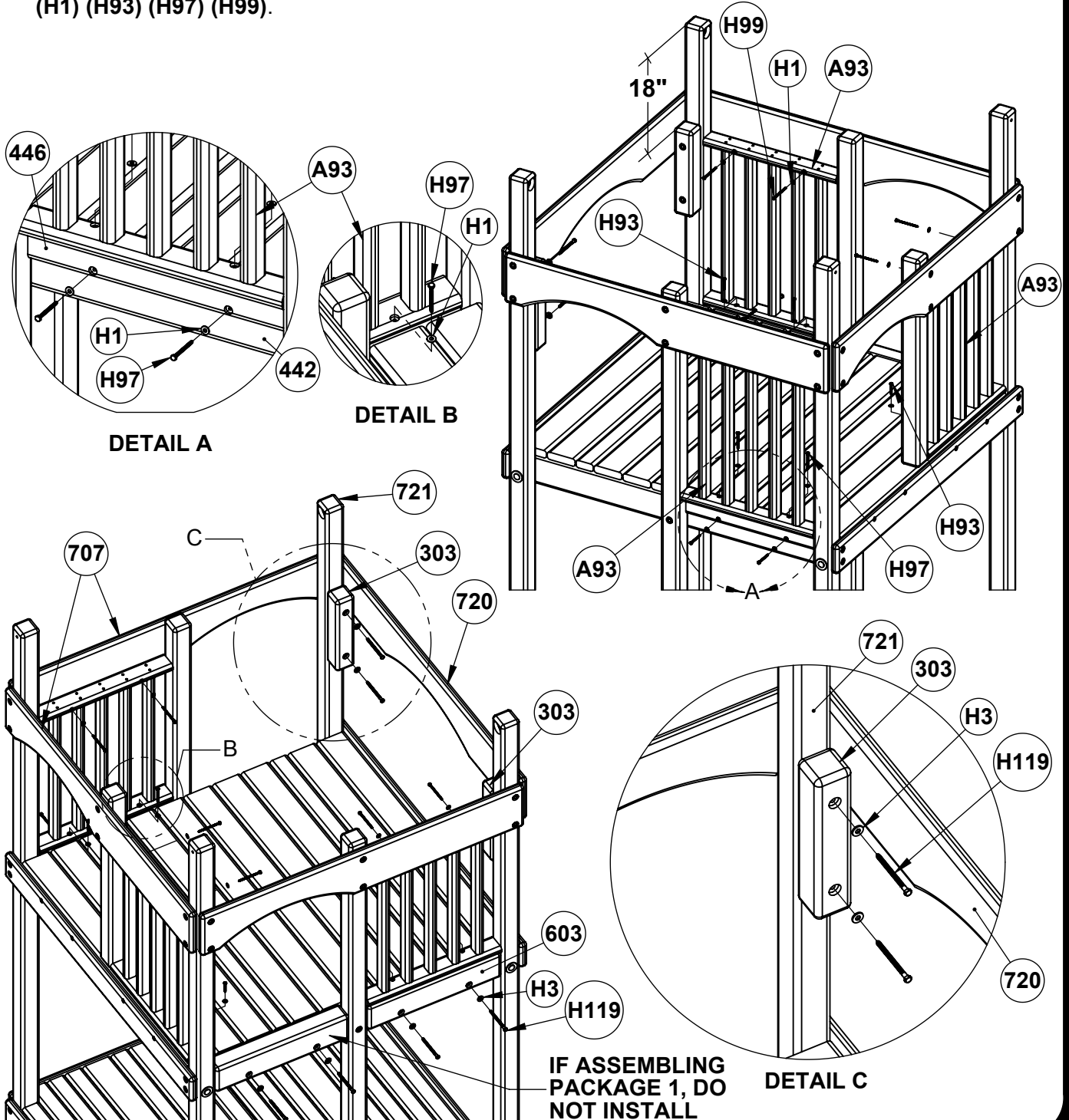
1. Center and attach Deck Runner (429) to bottoms of Deck Panels (A1) using 1/4" Hardware (H1) (H93).
2. Position the Center Post (723) in the center of Left Arched Facia (707), on top of Deck Panels (A1) and attach using 3/8" Hardware (H3) (H116) (H119).



Step 22

Rail Installation

1. Measure down **18"** from the tops of Corner Uprights (**721**) (as shown) and attach Filler Blocks (**303**) using **3/8" Hardware (H3) (H119)**.
 2. Orient and position Filler Blocks (**603**) and Rail Bottom (**446**) flush with the top of Deck Panels (**A1**) and attach using **3/8" Hardware (H3) (H119)** and **1/4" Hardware (H1) (H97)** respectively.
- *NOTE: If assembling Package 2, only install one Filler Block (603) (as shown under Rail).**
3. Position Rails (**A93**) (in locations shown) on top of the Deck and attach using **1/4" Hardware (H1) (H93) (H97) (H99)**.

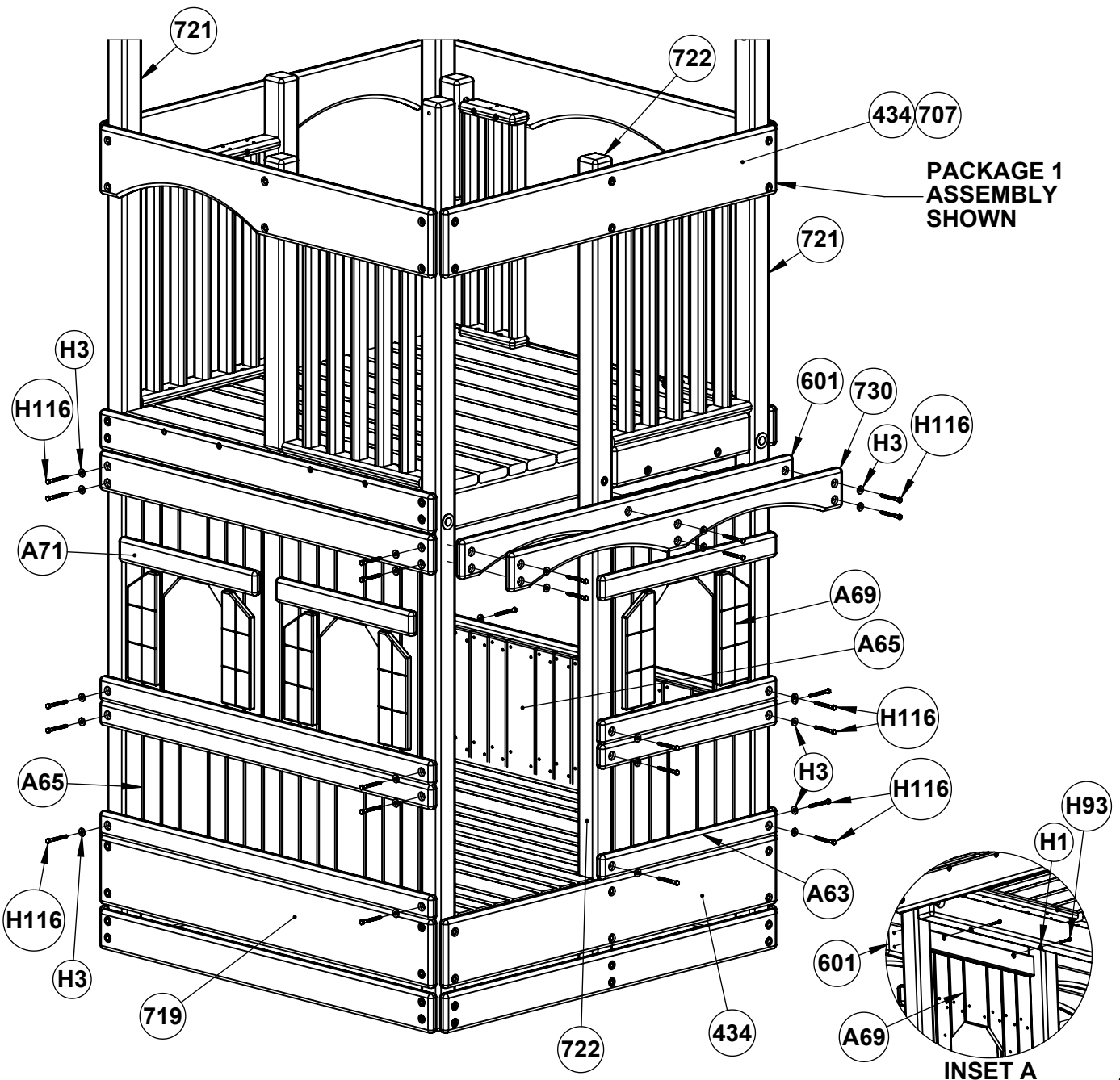


Step 23

Store Front and Play Panel Installation

***NOTE:** If assembling Package 3, install Double Arched Facia (730) in place of Left Arched Facia (601). If assembling Package 3, Store Front (A63) and Play Panel (A69) will not be installed.

1. Position Store Fronts (A63) (A65) directly on top of Facias (434) (719) (as shown) and attach to Uprights (721) (722) using 3/8" Hardware (H3) (H116).
2. Attach Left Arched Facia (601) or Double Arched Facia (730) (as shown) using 3/8" Hardware (H3) (H116).
3. Position Full Play Panel (A71) directly on top of Store Front (A65) and attach using 3/8" Hardware (H3) (H116).
4. Position Single Play Panel (A69) directly on top of Store Front (A63) and attach to Uprights (721) (722) using 3/8" Hardware (H3) (H116) and to Left Arched Facia (601) using 3/8" Hardware (H3) (H93) (as shown in Inset A).



Step 24

Wood Roof Installation

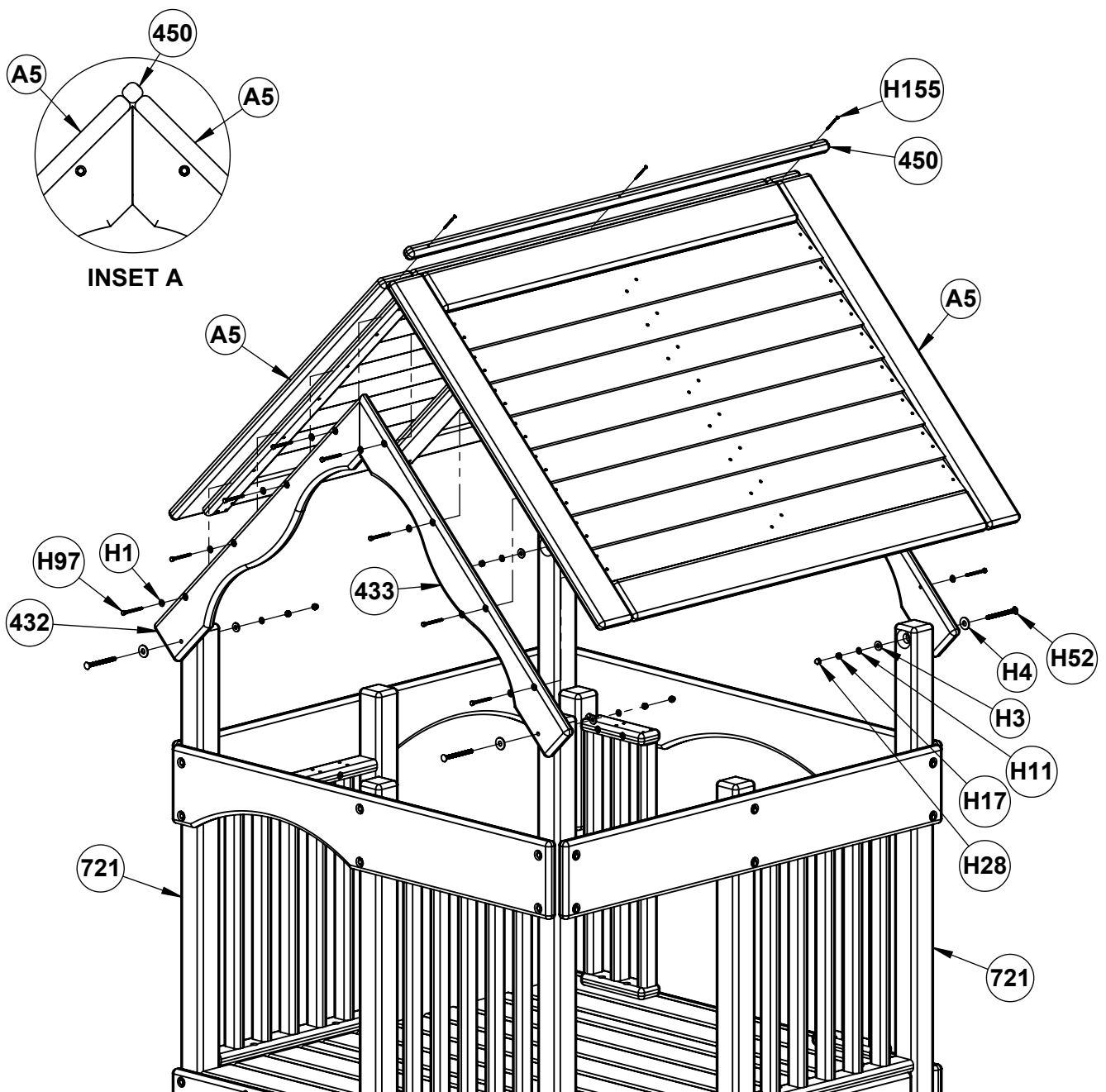
1. Attach Right Roof Supports (433) and Left Roof Supports (432) to Corner Uprights (721) using 3/8" Hardware (H3) (H11) (H17) (H28) and 1/2" Hardware (H4).

***NOTE:** Do not tighten Hardware completely at this time.

2. Attach Roof Panels (A5) to Roof Supports (432) (433) using 1/4" Hardware (H1) (H97).

***NOTE:** Top edge of Roof Panels (A5) must be flush with the tops of the Roof Supports when properly installed (as shown in Inset A).

3. Attach Roof Cap (450) to Roof Panel (A5) using #8 Hardware (H155).



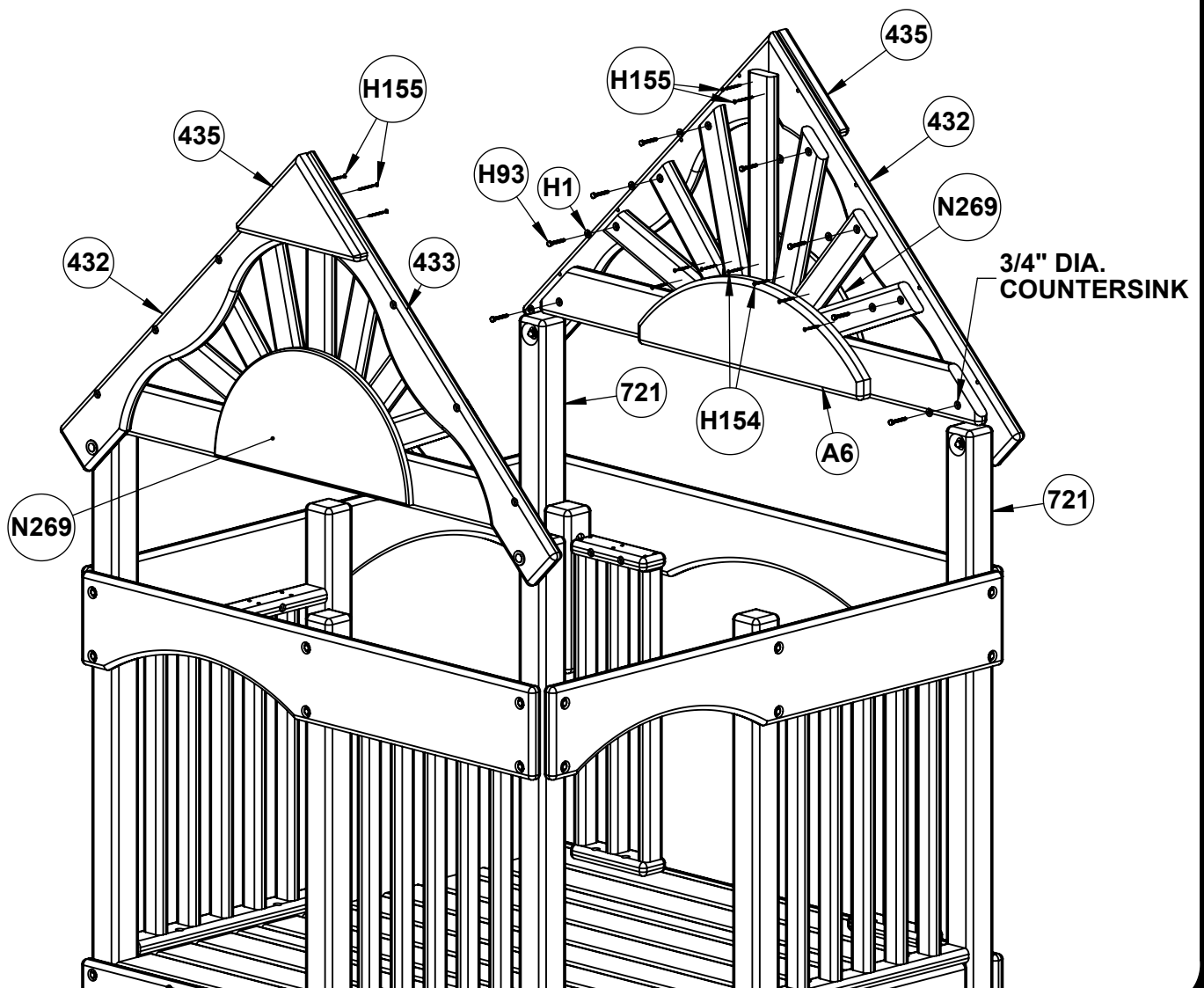
Step 25

Fan Installation

***NOTE:** Tighten all Roof Hardware at this time.

***NOTE:** Countersink (approximately 1/4" deep) bottom holes of Fans (A6) using a 3/4" Diameter drill bit.

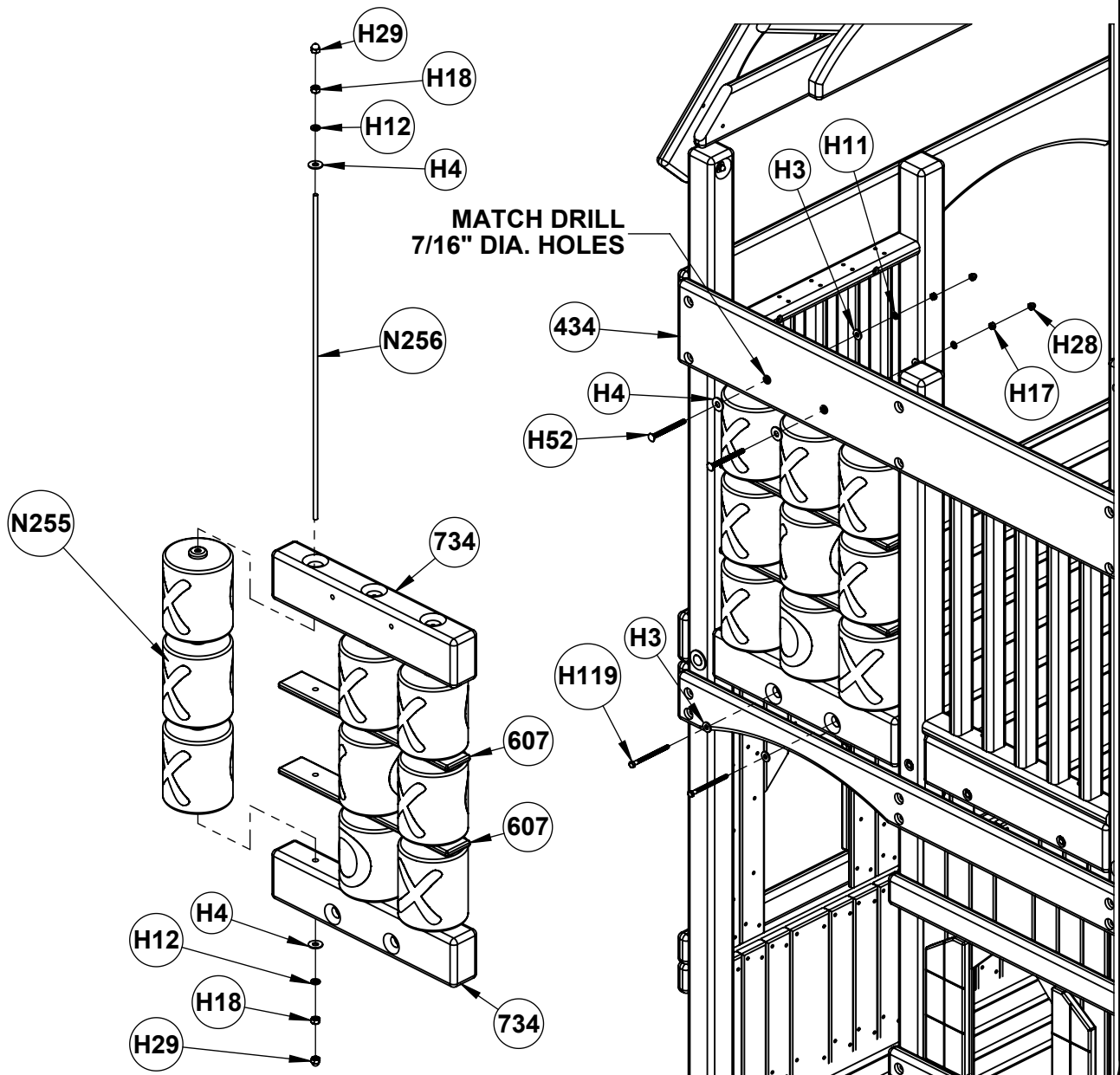
1. Position Peak Facia (435) flush with the tops of Roof Supports (432) (433) and attach using #8 Hardware (H155).
***NOTE:** Routed edge of Peak Facia (435) must face to the outside when properly installed.
2. Center Fan Center (N269) on Fans (A6) and attach using #8 Hardware (H154).
3. Attach Fan (A6) to Roof Supports (432) (433) using 1/4" Hardware (H1) (H93) and #8 Hardware (H155).
***NOTE:** Bottom edge of Fan (A6) should rest on the tops of Corner Uprights (721).
4. Repeat for other side.



Step 26

Package 2 Green TTT Panel Installation

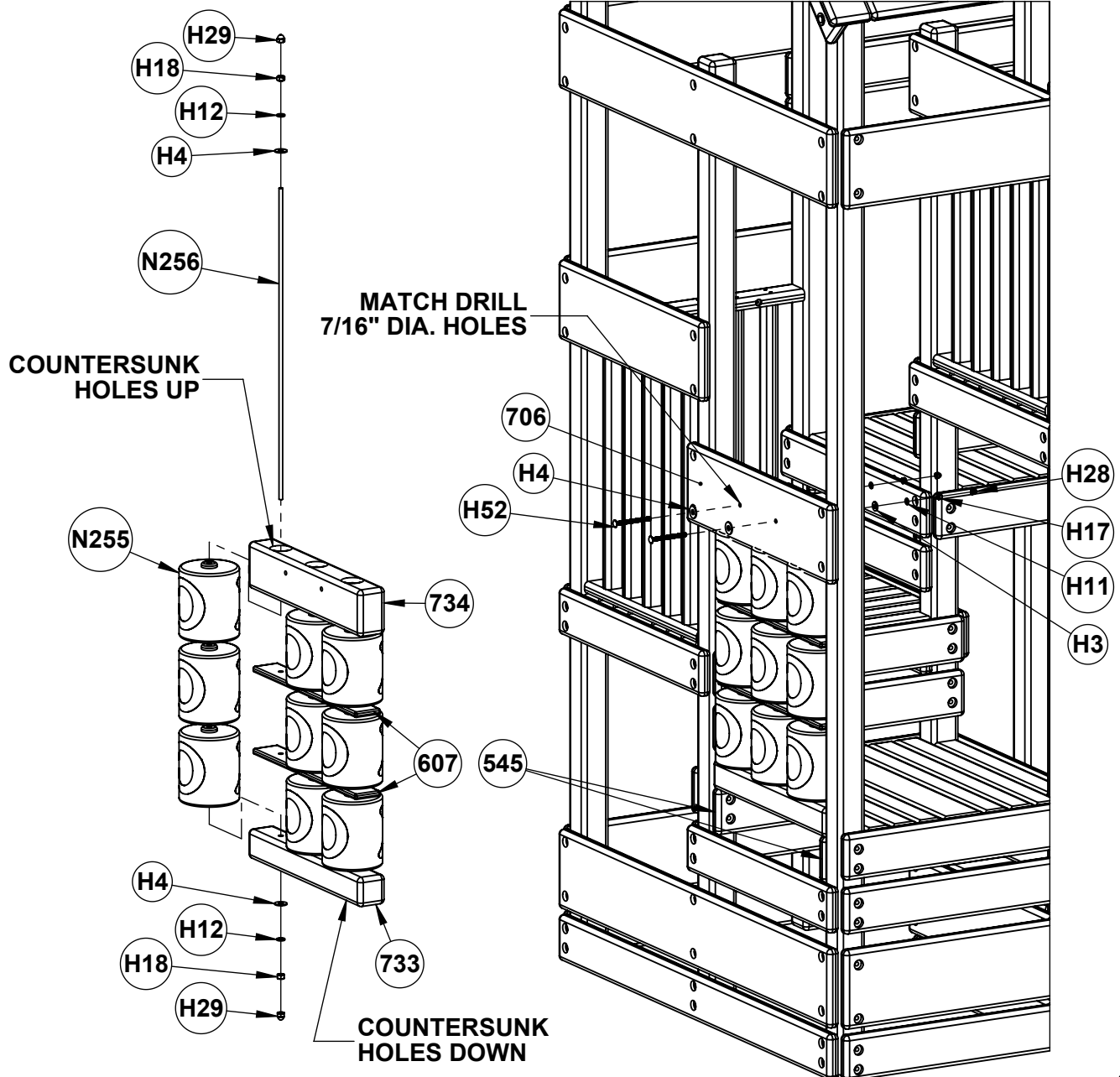
1. Attach Threaded Rods (N256) to Mounting Board (734) using 1/2" Hardware (H4) (H12) (H18) (H29).
***NOTE: Countersunk holes in bottom Mounting Board (734) for Threaded Rods (N256) must be facing down and Hardware must not be tightened at this time.**
2. Place three Tic Tac Toe Cylinders (N255) on each Threaded Rod (N256), placing a TTT Insert (607) between each cylinder.
3. Attach other Mounting Block (734) using 1/2" Hardware (H4) (H12) (H18) (H29).
***NOTE: Countersunk holes on Top Mounting Block (734) must be facing towards the inside of the unit when properly installed. Tighten 1/2" Hardware at this time.**
4. Position Tic Tac Toe Panel assembly in the opening and match drill Facia (434) to top Mounting Block (734) using a 7/16" drill bit.
5. Attach Tic Tac Toe Panel assembly to Facia (434) using 1/2" Hardware (H4) and 3/8" Hardware (H3) (H11) (H17) (H28) (H52).
6. Secure Tic Tac Toe Panel by attaching lower Mounting Block (734) using 3/8" Hardware (H3) (H119).



Step 27

Package 1 & 2 Green TTT Panel Installation

1. Attach Threaded Rods (N256) to Mounting Board (734) using 1/2" Hardware (H4) (H12) (H18) (H29).
***NOTE: Countersunk holes for Threaded Rods (N256) must be facing up and Hardware must not be tightened at this time.**
2. Place three Tic Tac Toe Cylinders (N255) on each Threaded Rod (N256), placing a TTT Insert (607) between each cylinder.
3. Attach Bottom Mounting Block (733) using 1/2" Hardware (H4) (H12) (H18) (H29).
***NOTE: Countersunk holes on Top Mounting Block (734) must be facing towards the inside of the unit when properly installed. Tighten 1/2" Hardware at this time.**
***NOTE: TTT assembly should rest on top of Facias (545) (deck supports).**
4. Position Tic Tac Toe Panel assembly in the opening and match drill Facia (706) to top Mounting Block (734) using a 7/16" drill bit.
5. Attach Tic Tac Toe Panel assembly to Facia (706) using 1/2" Hardware (H4) and 3/8" Hardware (H3) (H11) (H17) (H28) (H52).

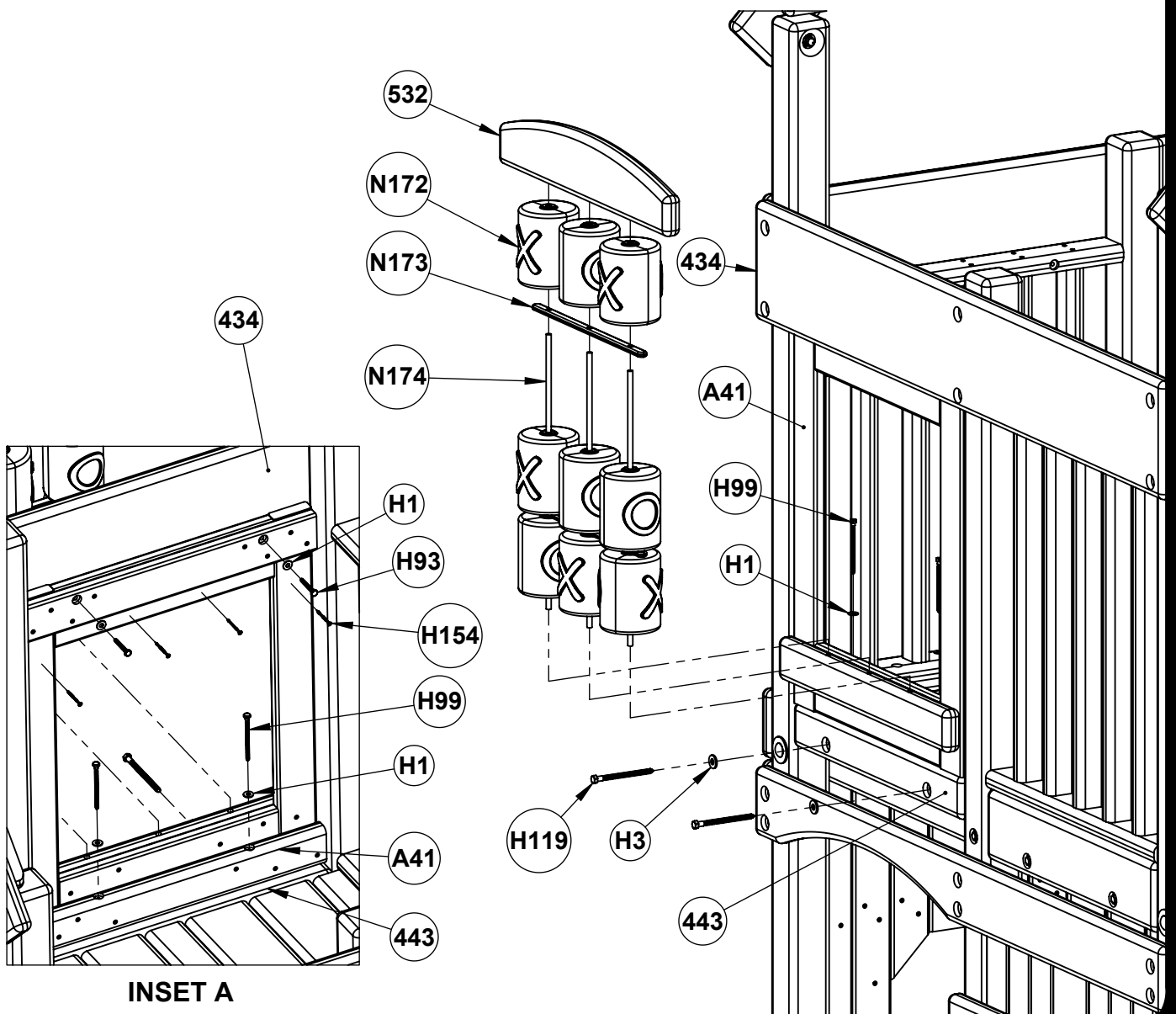


Step 28

Package 2 Yellow TTT Panel Installation

1. Position Filler Block (443) against Main Beam, with holes down, flush with the top of the deck, and attach using 3/8" Hardware (H3) (H119).
2. Position TTT Rail (A41) (in location shown) and attach using 1/4" Hardware (H1) (H93) (H99).
3. Place Tic Tac Toe Rods (N174) into holes on Tic Tac Toe Rail (A41).
4. Place TTT Cylinders (N172) and TTT Inserts (N173) over Rods (N174).
5. Place Top TTT Board (532) onto TTT Rods (N174) and attach to Tic Tac Toe Rail (A41) using #8 Hardware (H154).

***NOTE: #8 Hardware (H154) should be inserted from the back side of Tic Tac Toe Rail (A41) (as shown in Inset A).**

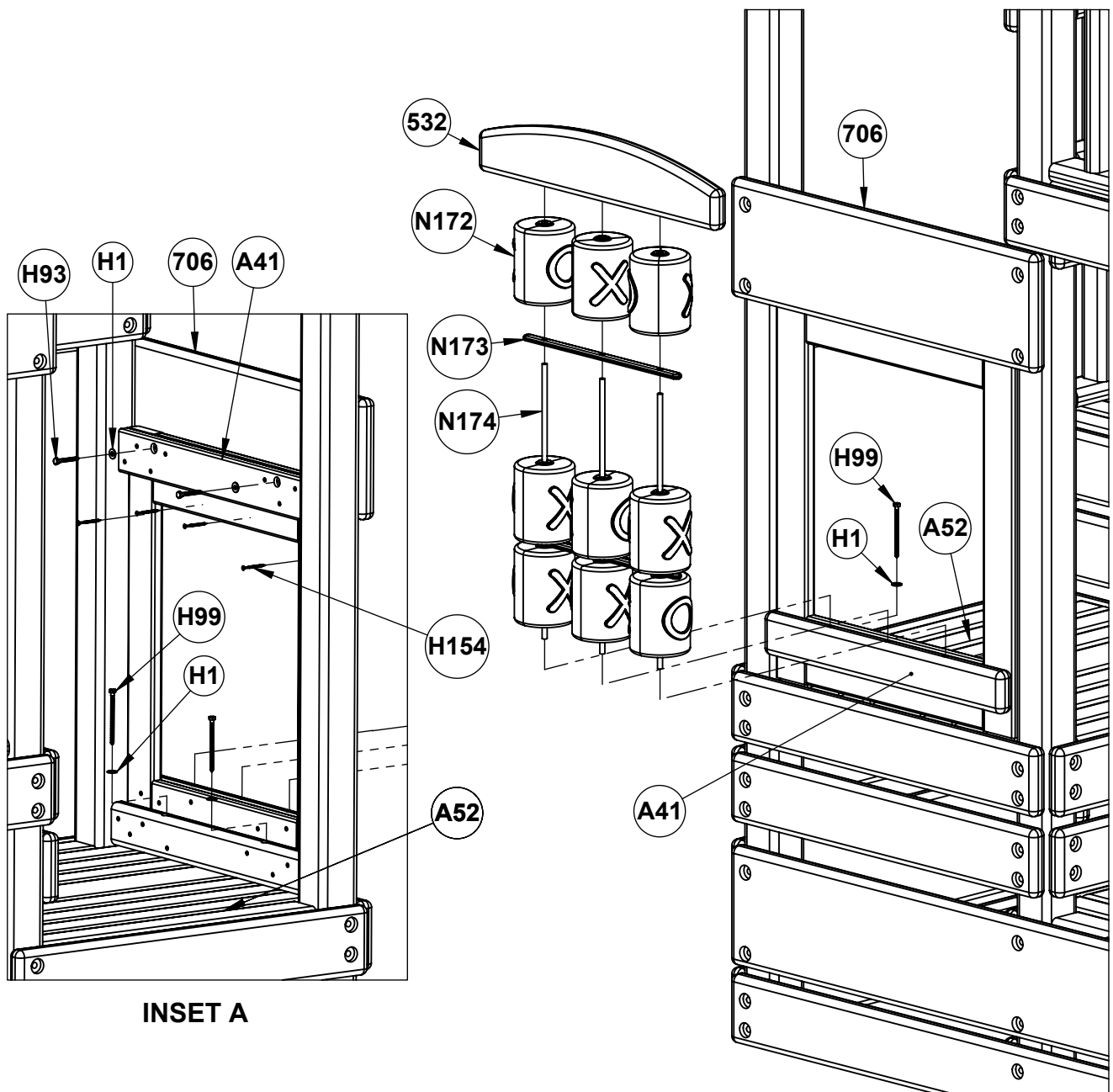


Step 29

Package 1 & 3 Yellow TTT Panel Installation

1. Position TTT Rail (A41) (in location shown) and attach to Facia (706) and Deck (A52) using 1/4" Hardware (H1) (H93) (H99).
2. Place Tic Tac Toe Rods (N174) into holes on Tic Tac Toe Rail (A41).
3. Place TTT Cylinders (N172) and TTT Inserts (N173) over Rods (N174).
4. Place Top TTT Board (532) onto TTT Rods (N174) and attach to Tic Tac Toe Rail (A41) using #8 Hardware (H154).

***NOTE:** #8 Hardware (H154) should be inserted from the back side of Tic Tac Toe Rail (A41) (as shown in Inset A).



Step 30

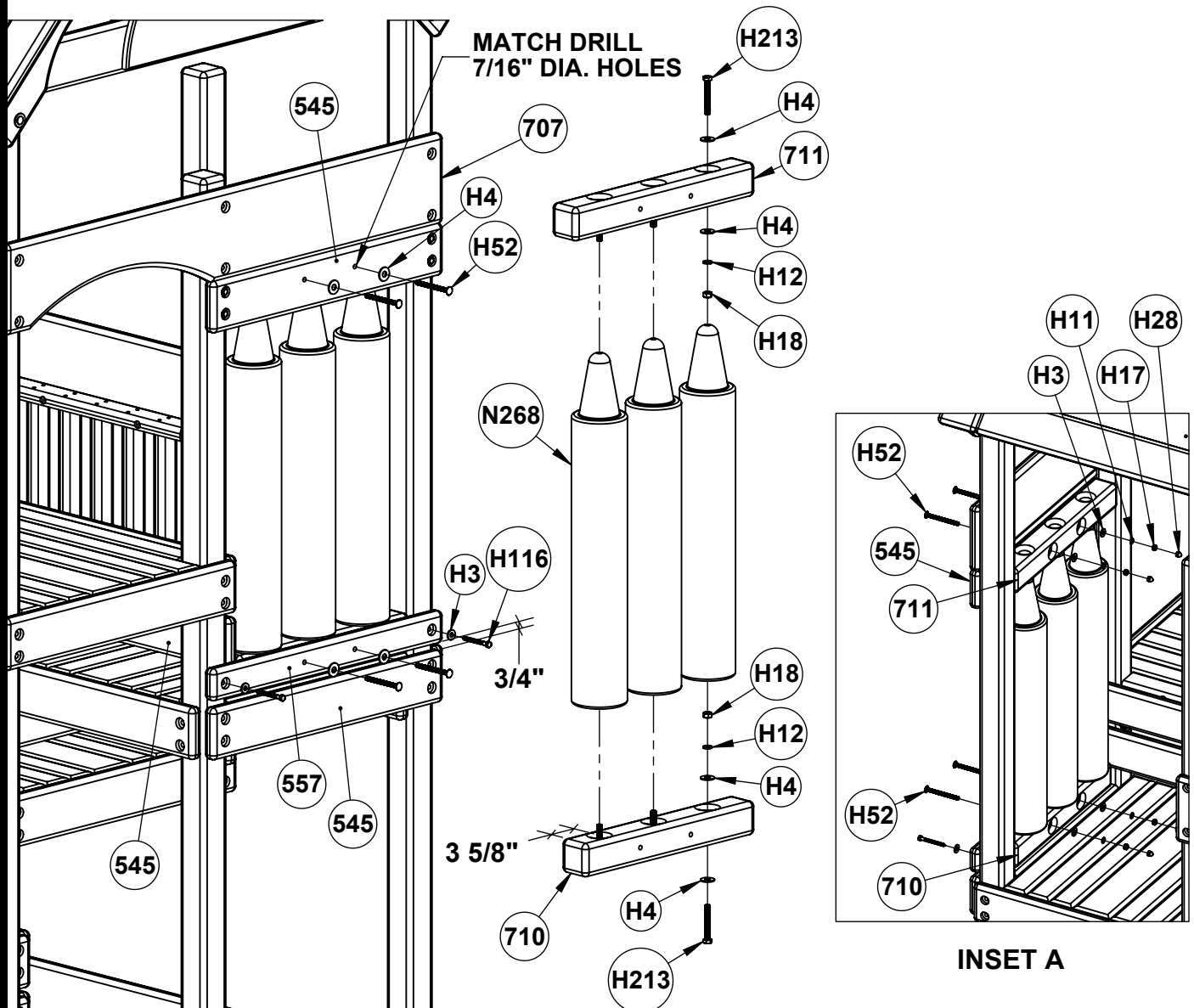
Package 1 Crayon Panel Installation

***NOTE:** Orient lower Crayon Mounting Board (710) with the hole that measures 3 5/8" from the end against Facia (545).

1. Attach 1/2" Hardware (H4) (H12) (H18) (H213) to Crayon Mounting Board (710) (711) (as shown).
2. Measure up 3/4" up from the top of 4 Hole Facia (545) (as shown) and attach 2 Hole Facia (557) to Uprights using 3/8" Hardware (H3) (H116).
3. Match drill lower 2 Hole Facia (557) to lower Crayon Mounting Board (710) (orient properly) using a 7/16" Diameter drill.
4. Attach lower Mounting Board (710) to 2 Hole Facia (557) using 1/2" Hardware (H4) and 3/8" Hardware (H3) (H11) (H17) (H28) (H52).

***NOTE:** Countersunk holes on Mounting Boards (710) (711) must be facing towards the inside of the unit when properly installed.

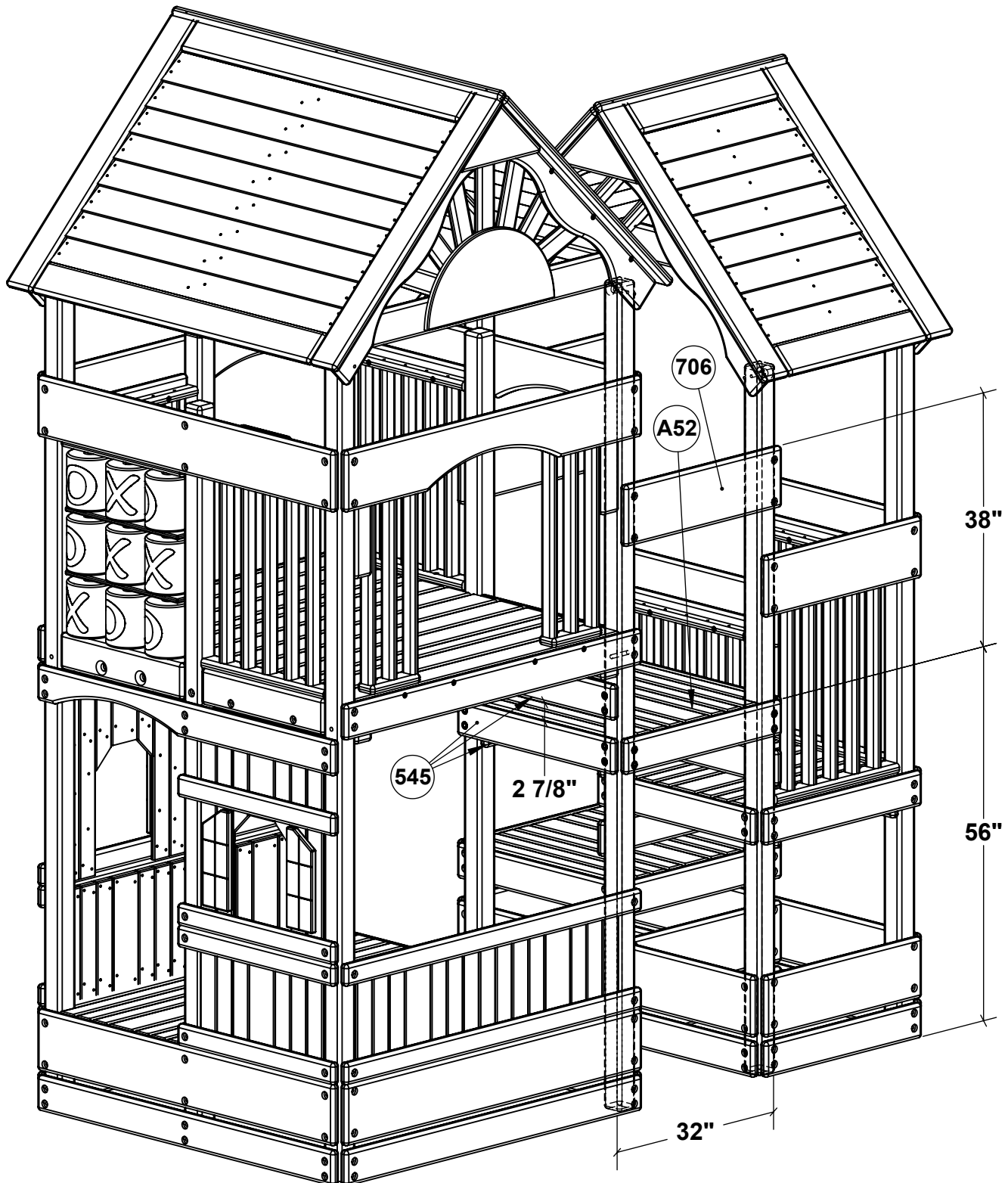
5. Position Crayons (N268) on to bolts extending upwards from the lower Mounting Board (710).
6. Position Mounting Board (711) (with bolts inserted into the tops of Crayons) and match drill 4 Hole Facia (545).
7. Repeat part 4 for securing top Mounting Board (711).



Step 31

Package 2 Billy Goat Bridge Installation

*NOTE: The below diagram shows the proper orientation of the previously assembled Multi-Level and Clubhouse. The parts used for installing this Single-Bay Billy Goat Bridge are the same parts used for constructing the 2-Level and 5-Level Multi-Levels. Reference pages 38-41, Steps 12-15 to install this Single-Bay Billy Goat Bridge.

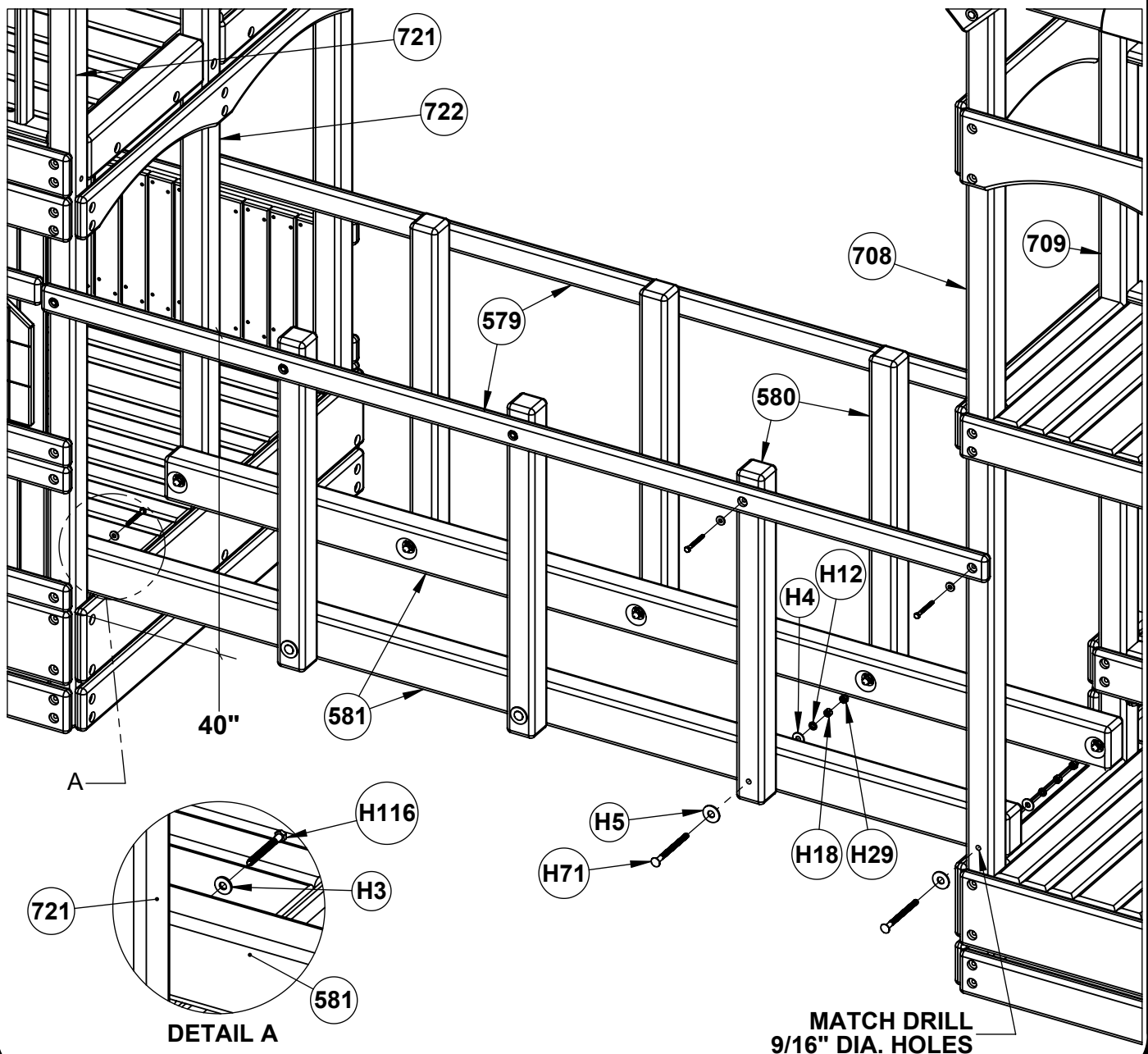


Step 32

Package 3 Billy Goat Bridge Installation

***NOTE:** Do not match drill thru hole on Upright shown in Detail A.

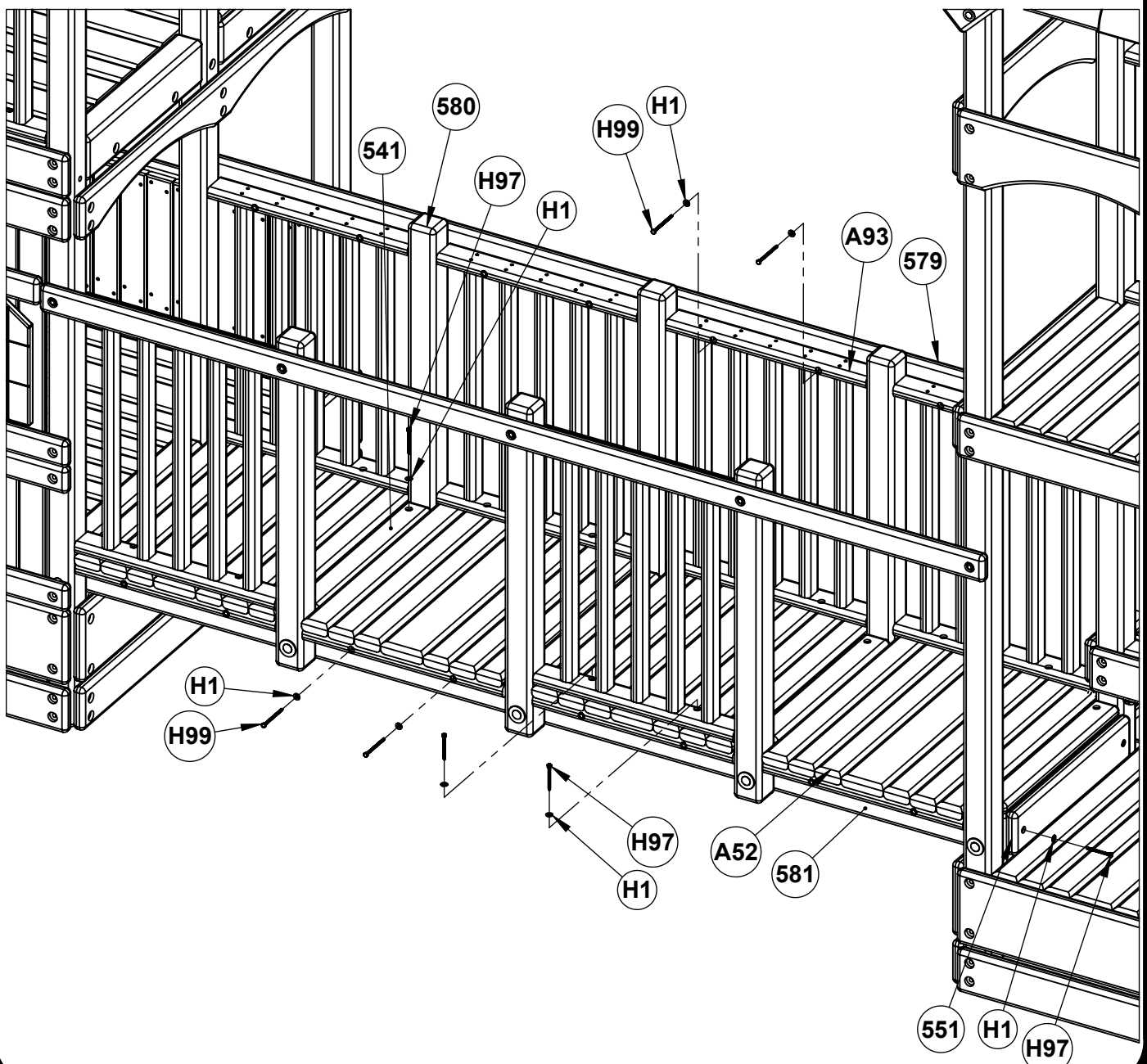
1. Position Main Beams (581) (with countersunk holes facing in) directly on top of play deck and match drill thru Uprights using a 9/16" diameter drill bit.
2. Attach Main Beams (581) to Uprights using 3/4" Hardware (H5) and 1/2" Hardware (H4) (H12) (H18) (H29) (H71) (in 3 locations).
3. Attach Main Beam (581) (in 1 location) to Upright using 3/8" Hardware (H3) (H116).
3. Attach Billy Goat Bridge Uprights (580) to Main Beams (581) using 3/4" Hardware (H5) and 1/2" Hardware (H4) (H12) (H18) (H29) (H71).
4. Measure up 40" up (on Uprights) from the top surface of the play deck and attach Billy Goat Bridge Facias (579) to Uprights using 3/8" Hardware (H3) (H116).



Step 33

Package 3 Billy Goat Bridge Installation

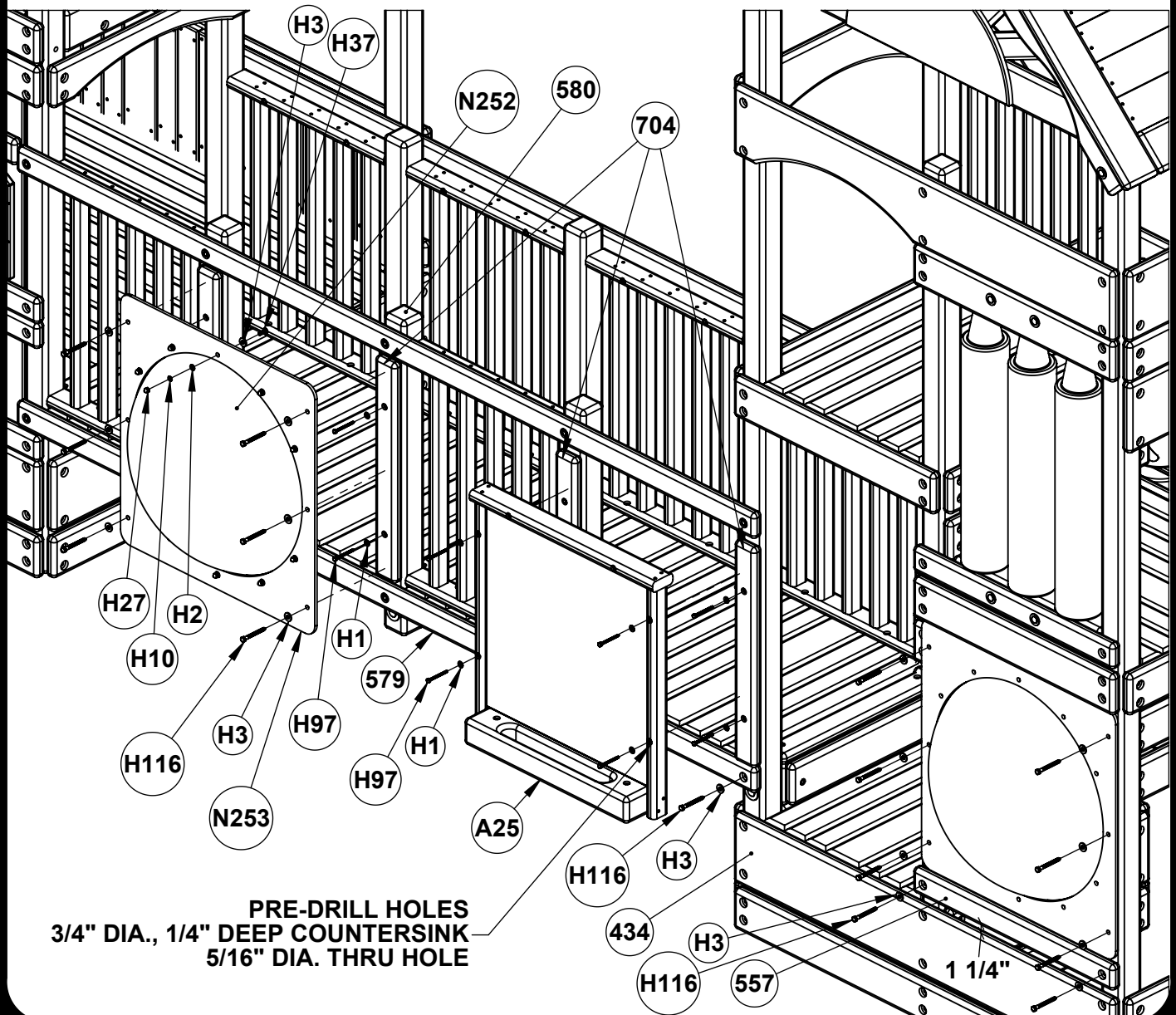
1. Position Deck Panels (A52) and attach to BGB Main Beams (581) using 1/4" Hardware (H1) (H99).
 2. On each side of Deck Panels (A52), attach Filler Board (541) to BGB Main Beams (581) using 1/4" Hardware (H1) (H97).
 3. Attach Billy Goat Facias (579) to Uprights using 3/8" Hardware (H3) (H116).
 4. Position Billy Goat Facia (579) flush with Deck Panels and attach using 3/8" Hardware (H3) (H116).
- *NOTE: If installing Crawl Tunnel next to Billy Goat Bridge, do not install Facia, as noted below.**
5. Position Safety Rails (A2) on top of Deck Panels and attach to Decks using 1/4" Hardware (H1) (H97).
 6. Attach Safety Rails (A2) to Billy Goat Facias (579) using 1/4" Hardware (H1) (H99).
 7. Attach Entrapment Boards (551) to ends of Billy Goat Main Beams using 1/4" Hardware (H1) (H97).



Step 34

Package 3 Billy Goat Bridge Installation

1. Flush Billy Goat Bridge Facias (579) with top of Billy Goat Bridge Deck Panels (A52) and attach to Uprights using 3/8" Hardware (H3) (H116).
***Note: Center Panel Fillers (704) between BGB Facias (579) when installed behind Bubble Panel. Position Panel Fillers (704) directly on top of lower BGB Facia (579) when installed behind Chalk Board (A25).**
2. Position Panel Fillers (704) on BGB Uprights (580) and attach using 1/4" Hardware (H1) (H97).
3. Position 2 Hole Facia (557) up 1 1/4" from the top of 6 Hole Facia (434) and attach using 3/8" Hardware (H3) (H116).
4. Attach Bubble (N252) to Panel Mount (N253) using 3/8" Hardware (H3) and 5/16" Hardware (H2) (H10) (H27) (H37).
***Note: 5/16" Hardware (H27) must be tightened to 5 foot-pounds torque when properly installed.**
5. Position Bubble Panel assemblies in locations shown and attach using 3/8" Hardware (H3) (H116).
6. Pre-drill Chalk Board (A25) using a 3/4" diameter drill bit for countersink and 5/16" diameter drill bit for thru hole.
7. Position Chalk Board (A25) (as shown) and attach using 1/4" Hardware (H1) (H97).



Step 35

Package 2 & 3 Rock Wall Installation

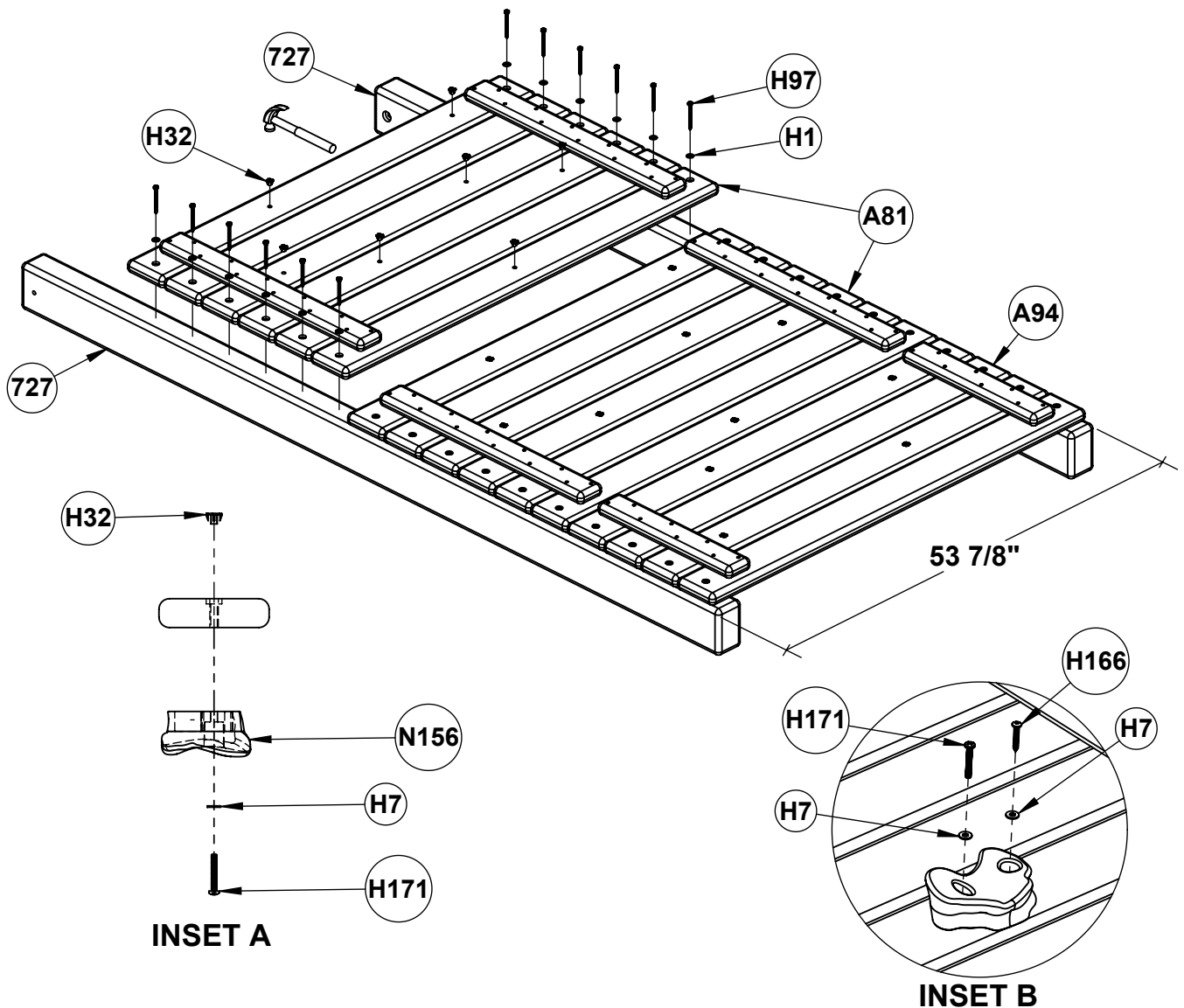
***NOTE:** Panels should be flush with outsides of Rock Wall Legs when properly installed. Be sure that all Panels are positioned so that the holes are in the pattern shown in the diagram below.

1. Lay Rock Wall Legs (727) on the ground with the countersunk holes facing in and position 4 Board Rock Wall Panel (A94) 1" up from the bottom of the Rock Wall Legs (727) and attach using 1/4" Hardware (H1) (H97).
2. Position 6 Board Rock Wall Panels (A81) above 4 Board Rock Wall Panel (A94) and attach using 1/4" Hardware (H1) (H97).
3. Using a hammer, tap 1/4" T-Nuts (H32) in the holes on the **BACK SIDE** of Rock Wall.

***NOTE:** Inset A shows the correct orientation of T-Nut insertion when inserted properly.

4. Attach Rocks (N156) to Rock Wall using 1/4" Hardware (H7) (H171) and #14 Hardware (H166).

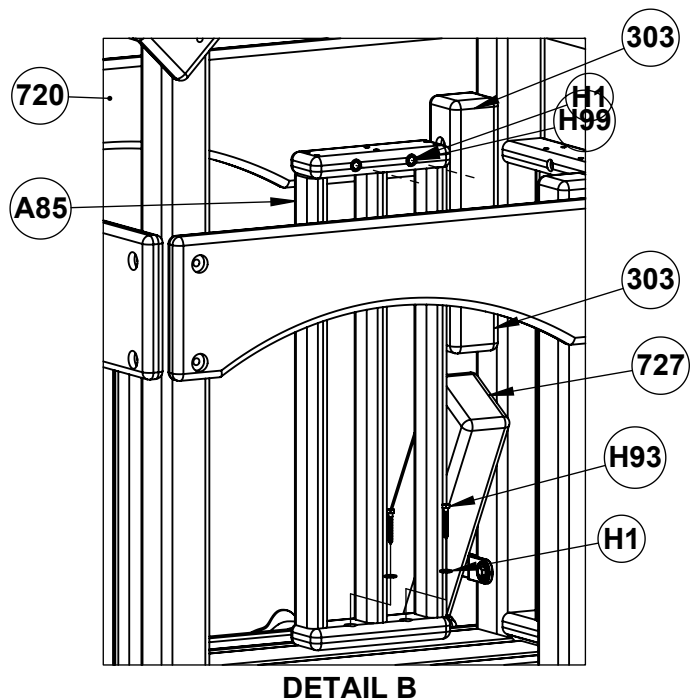
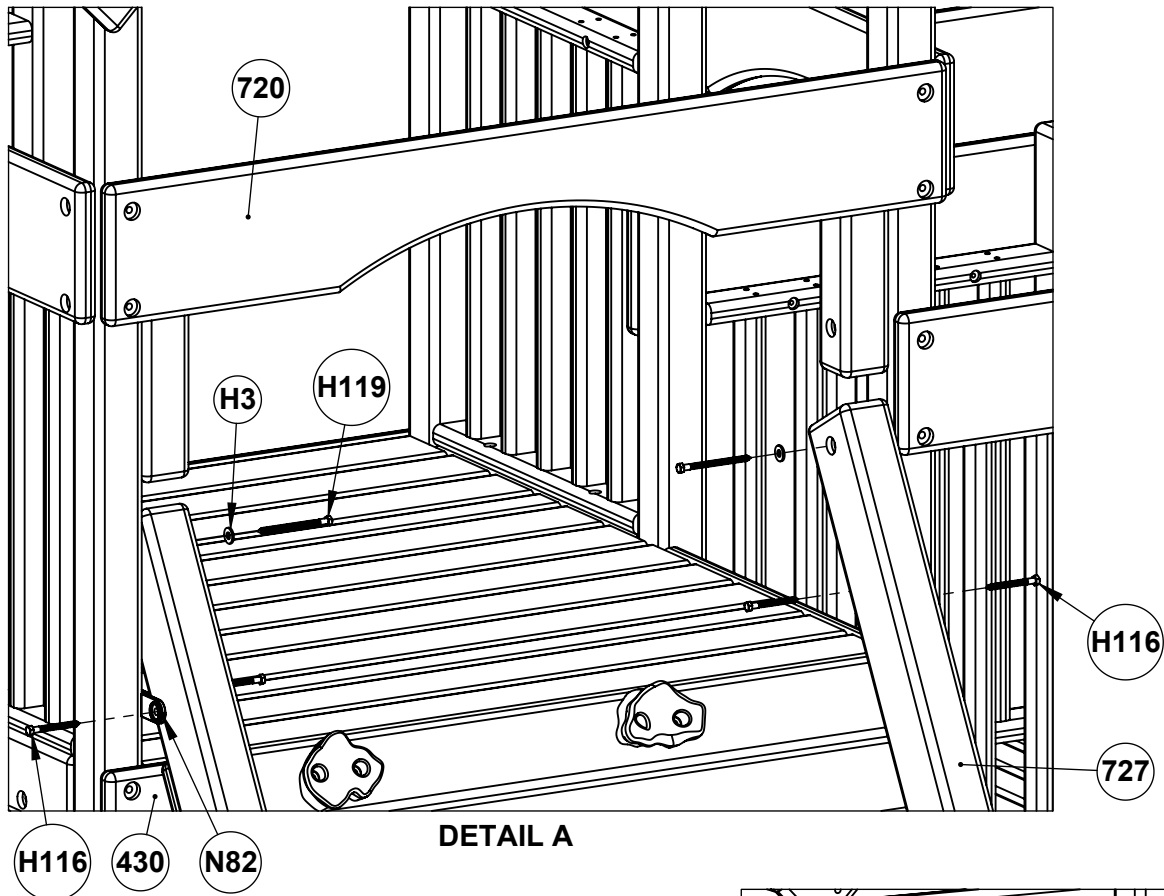
***NOTE:** 1/4" Hardware (H171) mates up with T-Nuts (H32) on back side of Rock Wall.



Step 36

Package 2 & 3 Rock Wall Installation

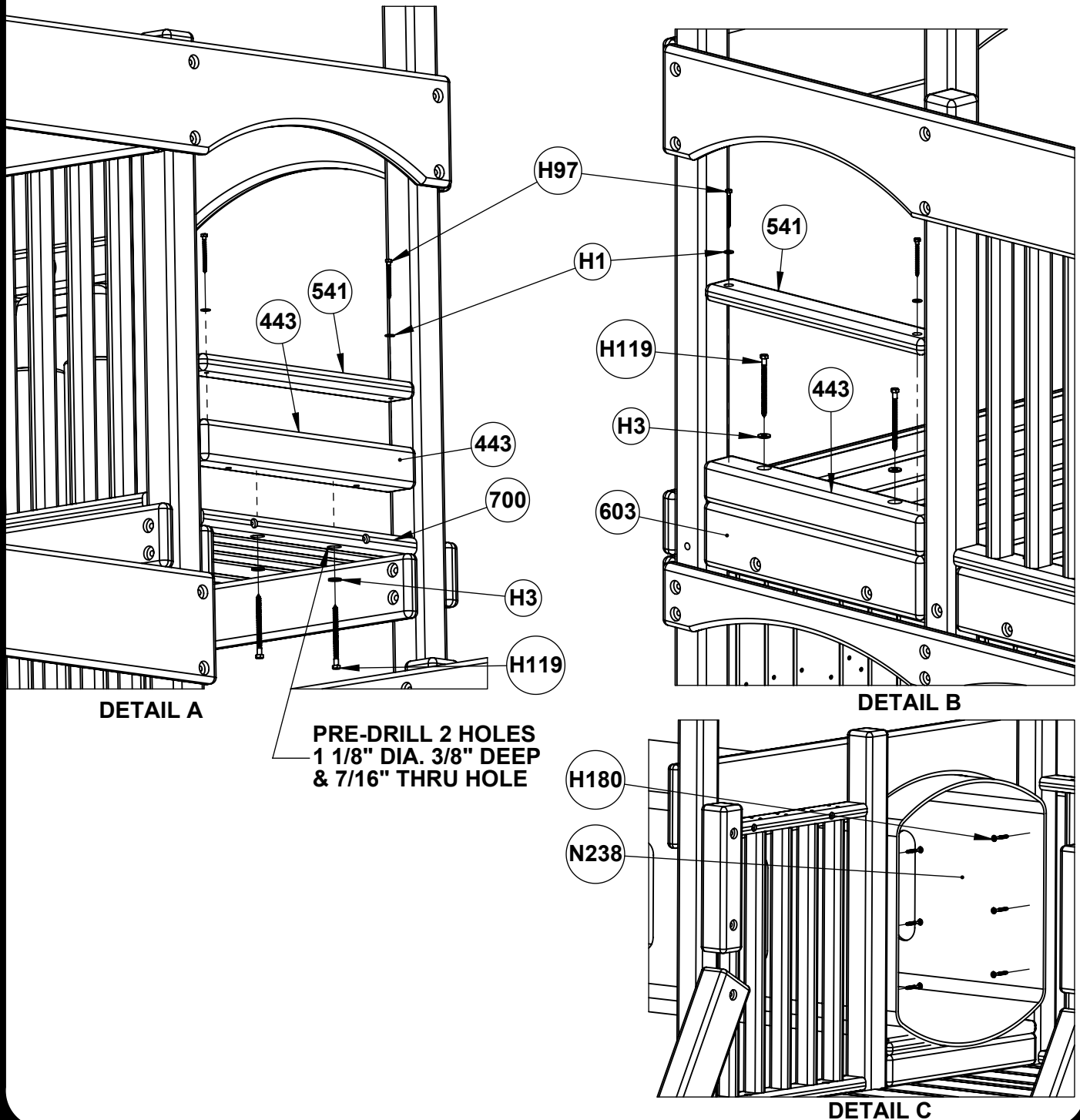
1. Attach Rock Wall Assembly to Corner Uprights using 3/8" Hardware (H3) (H119).
***NOTE: There should be no gaps between Rock Wall Assembly and Deck Facia (430).**
2. Attach Ladder Brackets (N82) to Corner Uprights and Rock Wall Legs using 3/8" Hardware (H116).
3. Position Cozy Rails (A85) (in locations shown) on top of the Deck and attach using 1/4" Hardware (H1) (H93) (H97) (H99).



Step 37

Package 3 Crawl Tunnel Installation

1. Measure in approximately 8" from each end of Rail Top (700) and center drill two 1 1/8" diameter holes 3/8" deep and 7/16" diameter thru holes (as shown in Detail A).
2. Attach Filler Board (541) to Filler Block (443) using 1/4" Hardware (H1) (H97) (as shown in Detail A).
3. Attach Filler assembly to Rail Top (700) using 3/8" Hardware (H3) (H119) (as shown in Detail A).
4. Attach Filler Block (443) to Filler Block (603) using 3/8" Hardware (H3) (H119) (as shown in Detail B).
5. Attach Filler Board (541) to Filler Block (443) using 1/4" Hardware (H1) (H97) (as shown in Detail B).
6. Place Crawl Tunnel (N238) into the openings and rest on the Filler Boards (541). Attach Crawl Tunnel (N238) to Uprights using 5/16" Hardware (H180).

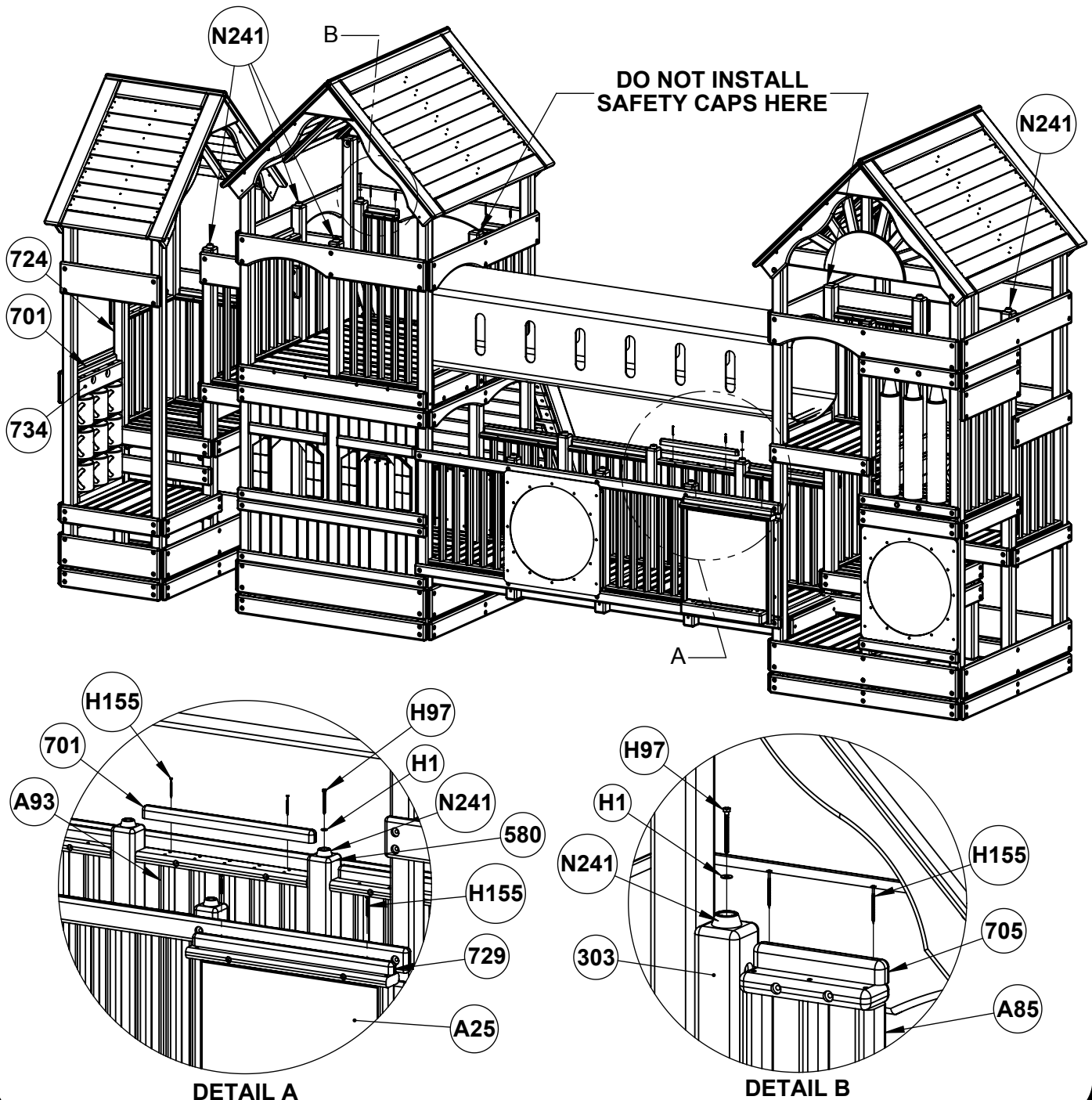


Step 38

Rail Top & Safety Cap Installation

***NOTE:** This step must be completed for Package 1, Package 2, and Package 3. Package 3 is shown, install Safety Caps (N241) and Rail Tops (701) (705) (729) as applies to your play structure.

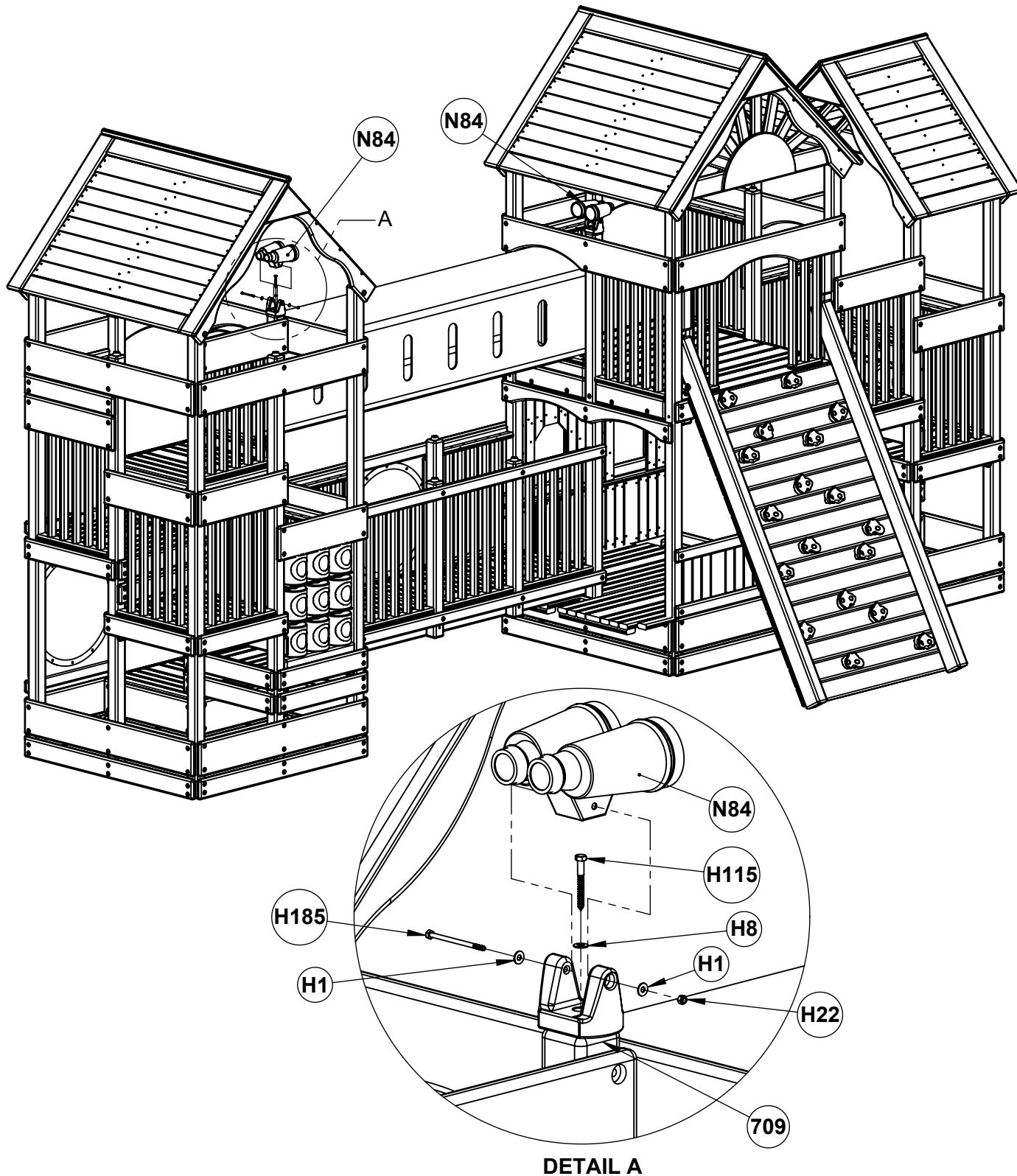
1. Attach Safety Caps (N241) to all 4 x 4 Uprights (with exposed tops) using 1/4" Hardware (H1) (H97).
2. Attach Rail Tops (701) (705) (729) to Rails (A25) (A85) (A93) and Mounting Block (734) (TTT) and Mounting Block (711) (Crayons) using #8 Hardware (H155).



Step 39

Binoculars Installation

1. Position Mounting Base on Uprights and attach using 3/8" Hardware (H8) (H115).
***NOTE: Do not over-tighten Hardware. Mounting Base should rotate freely.**
2. Position Binoculars (N84) in Base and attach using 1/4" Hardware (H1) (H22) (H185) (as shown in Detail A).



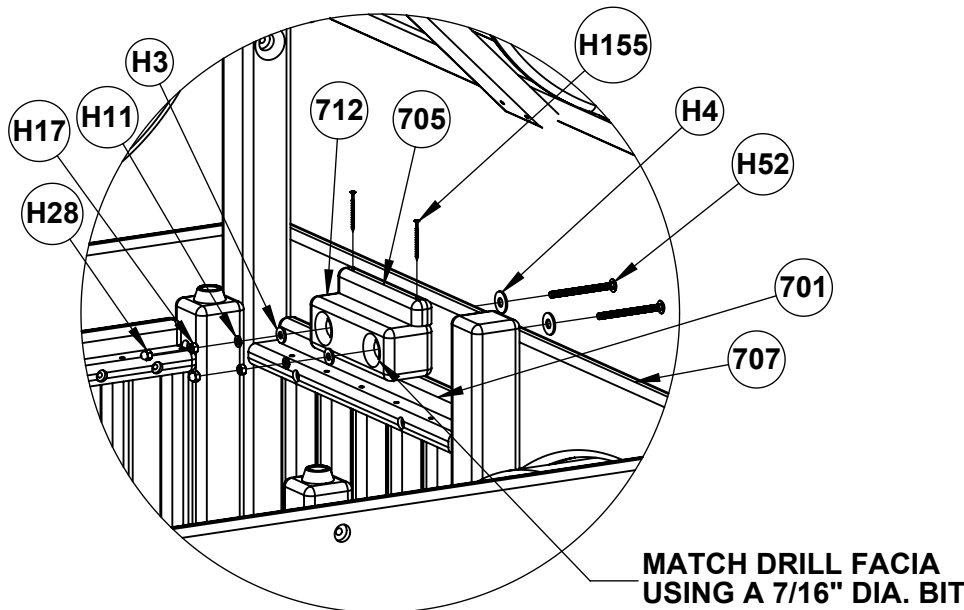
DETAIL A

Step 40

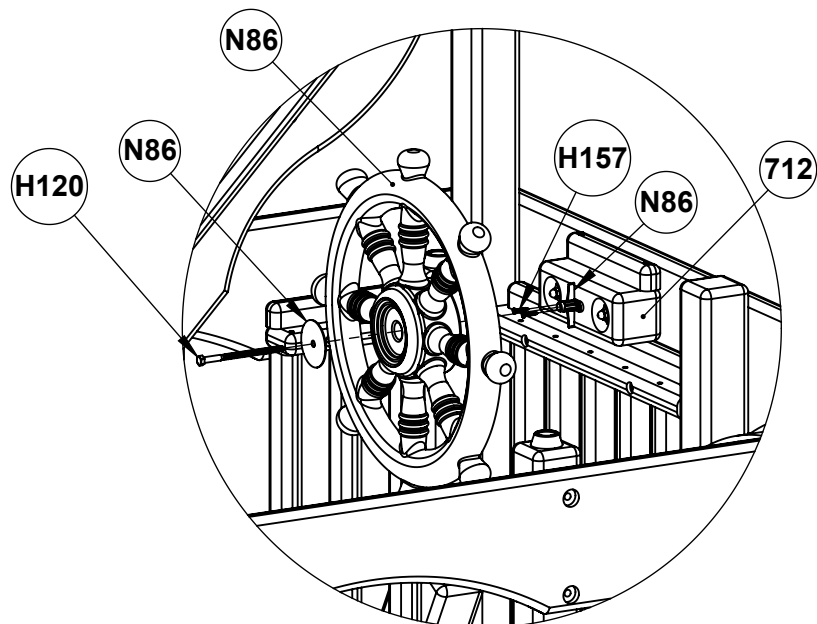
Ship's Wheel Installation

1. Position Ship's Wheel Block (712) (centered between uprights) directly on top of Rail Top (701) and match drill Facia using a 7/16" Diameter drill bit.
2. Attach Ship's Wheel Block (712) to Facia using 1/2" Hardware (H4) and 3/8" Hardware (H3) (H11) (H17) (H28) (H52).
3. Attach Rail Top (705) to Ship's Wheel Block (712) using #8 Hardware (H155).
4. Position Ship's Wheel Clicker (N86) and attach using #10 Hardware (H157).
5. Position Ship's Wheel (N86) and Ship's Wheel Cover (N86) over Clicker and attach all three using 3/8" Hardware (H120).

***NOTE: Do not over tighten Hardware, Wheel must rotate freely.**



DETAIL A

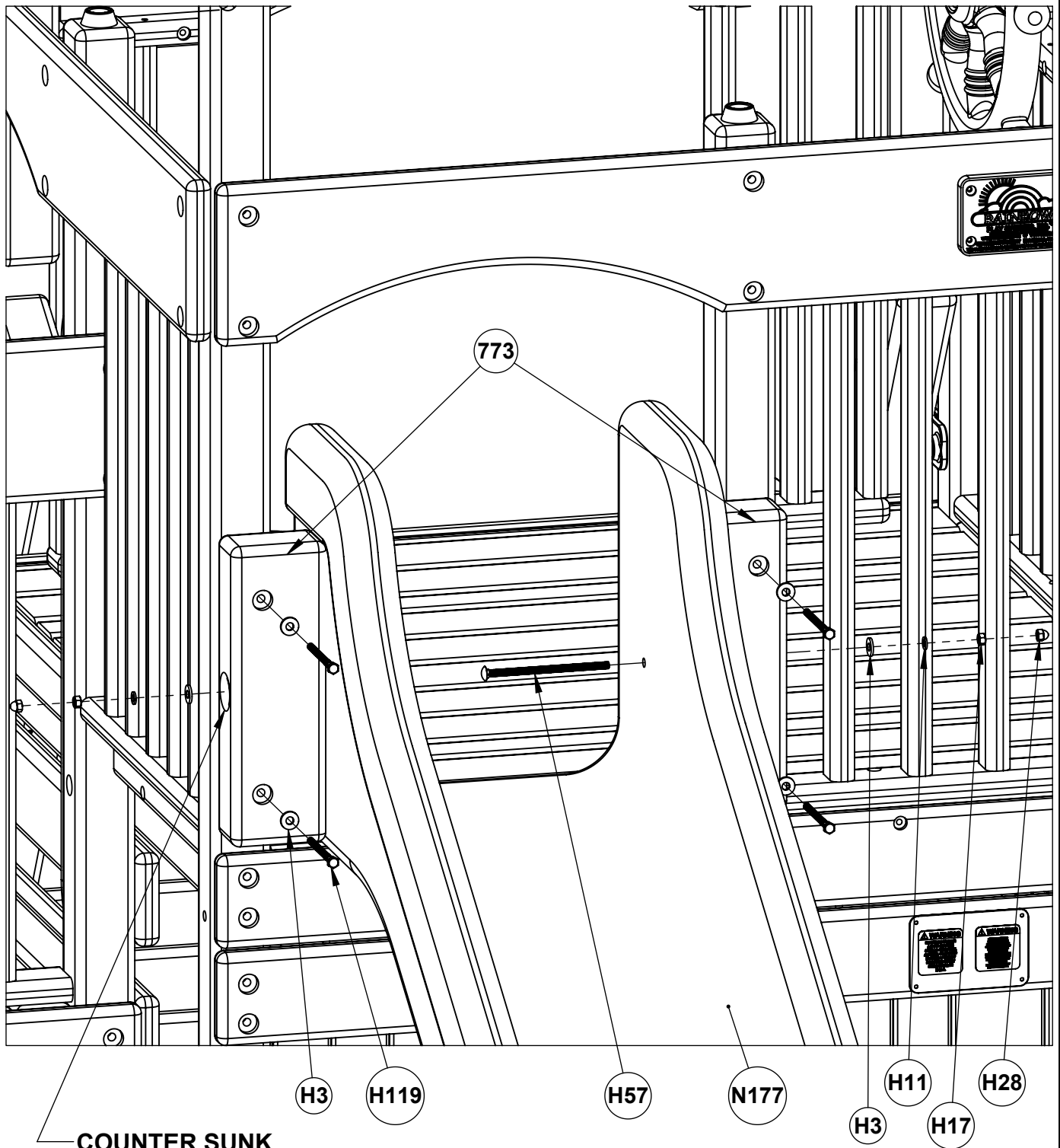


DETAIL B

Step 41

Commercial Scoop Slide Installation

1. On the ground, orientate Slide Blocks (773) (as shown) and attach to Slide (N177) using 3/8" Hardware (H3) (H11) (H17) (H28) (H57).
2. Set Slide in the opening so that the Slide rests on the Deck.
3. Attach Slide Blocks (773) to Uprights using 3/8" Hardware (H3) (H119).



COUNTER SUNK
HOLES OUT

Step 42

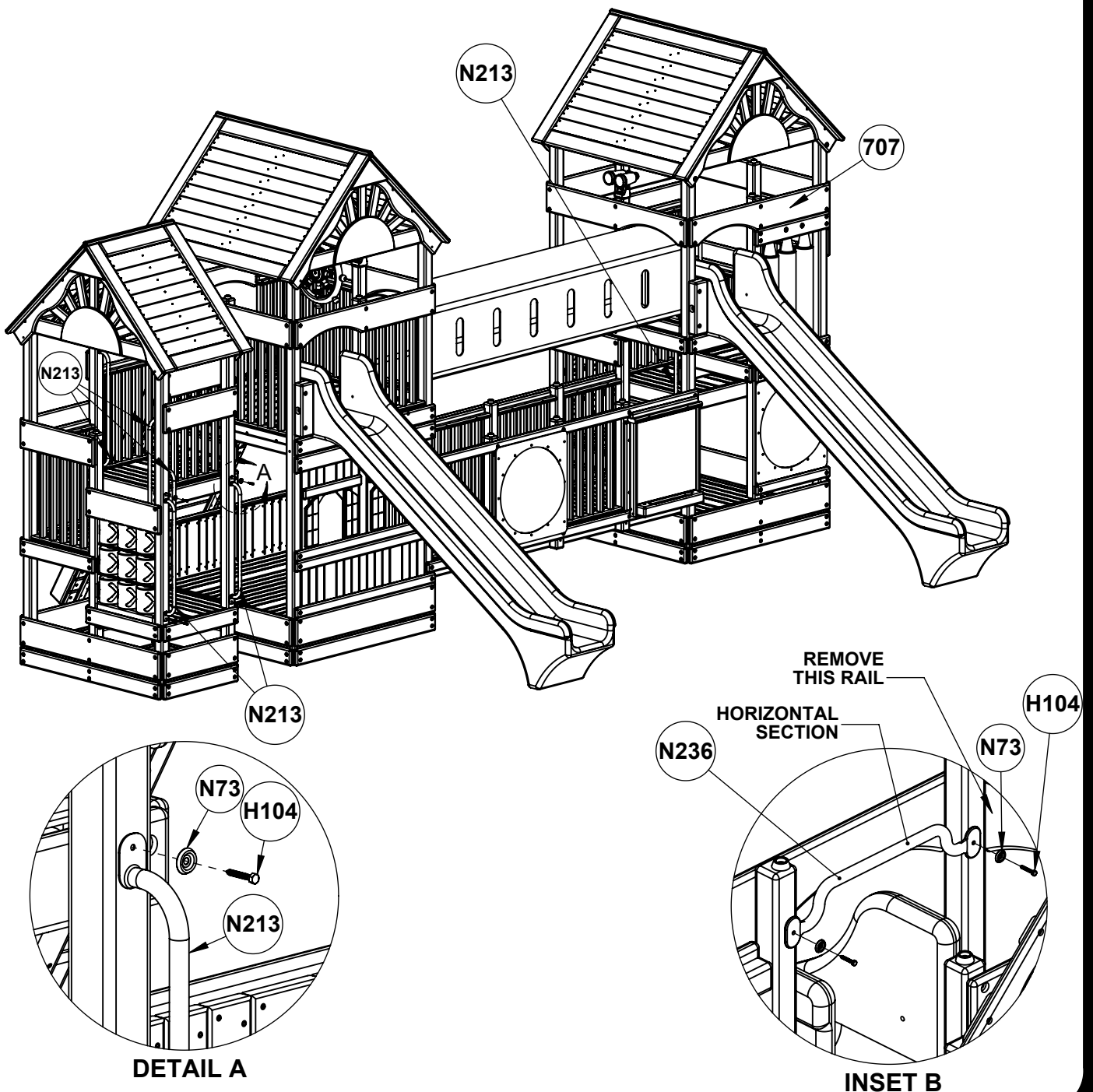
Ladder Handles & Grab-n-Go Bar Installation

1. Position Ladder Handles on uprights and attach using Bolt Cup (N73) and 1/4" Hardware (H104).

***NOTE:** Rail, in position shown, must be removed in order to install Grab-n-Go Bar.

2. Attach Grab-N-Go Bar (N236) to Corner Upright and Center Post/Center Upright using 1/4" Hardware (H1) and 5/16" Hardware (H104).

***NOTE:** The bottom edge of the Horizontal section of the Grab-n-Go Bar (N236) should be flush with bottom edge of Arched Facia (707).

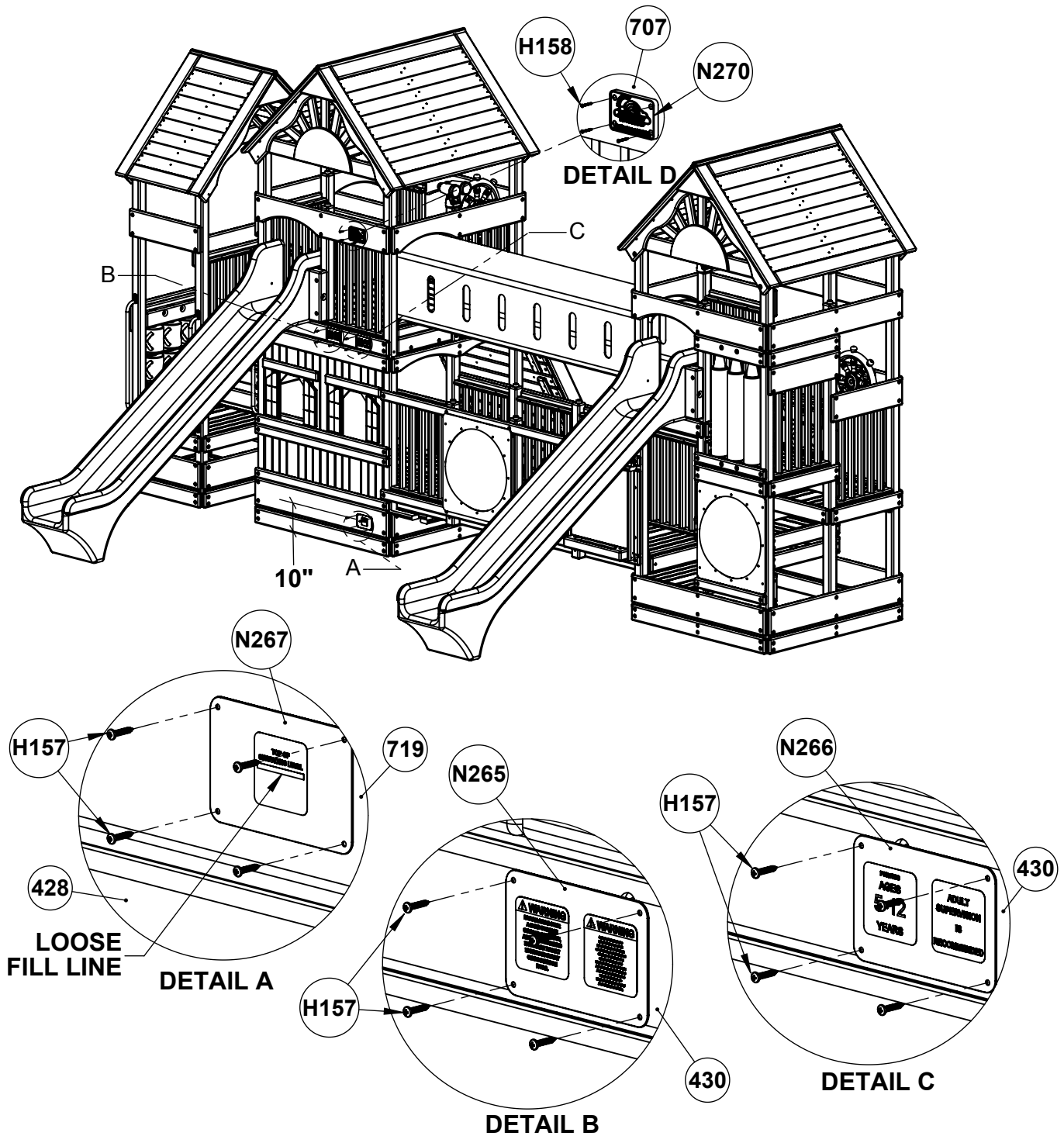


Step 43

Commercial Rainbow, Warning, Supervision, & Surfacing Plaque Installation

***NOTE:** Ensure loose fill line on Surfacing Plaque (N267) is approximately 10" up from the bottom of 4 Hole Facia (428).

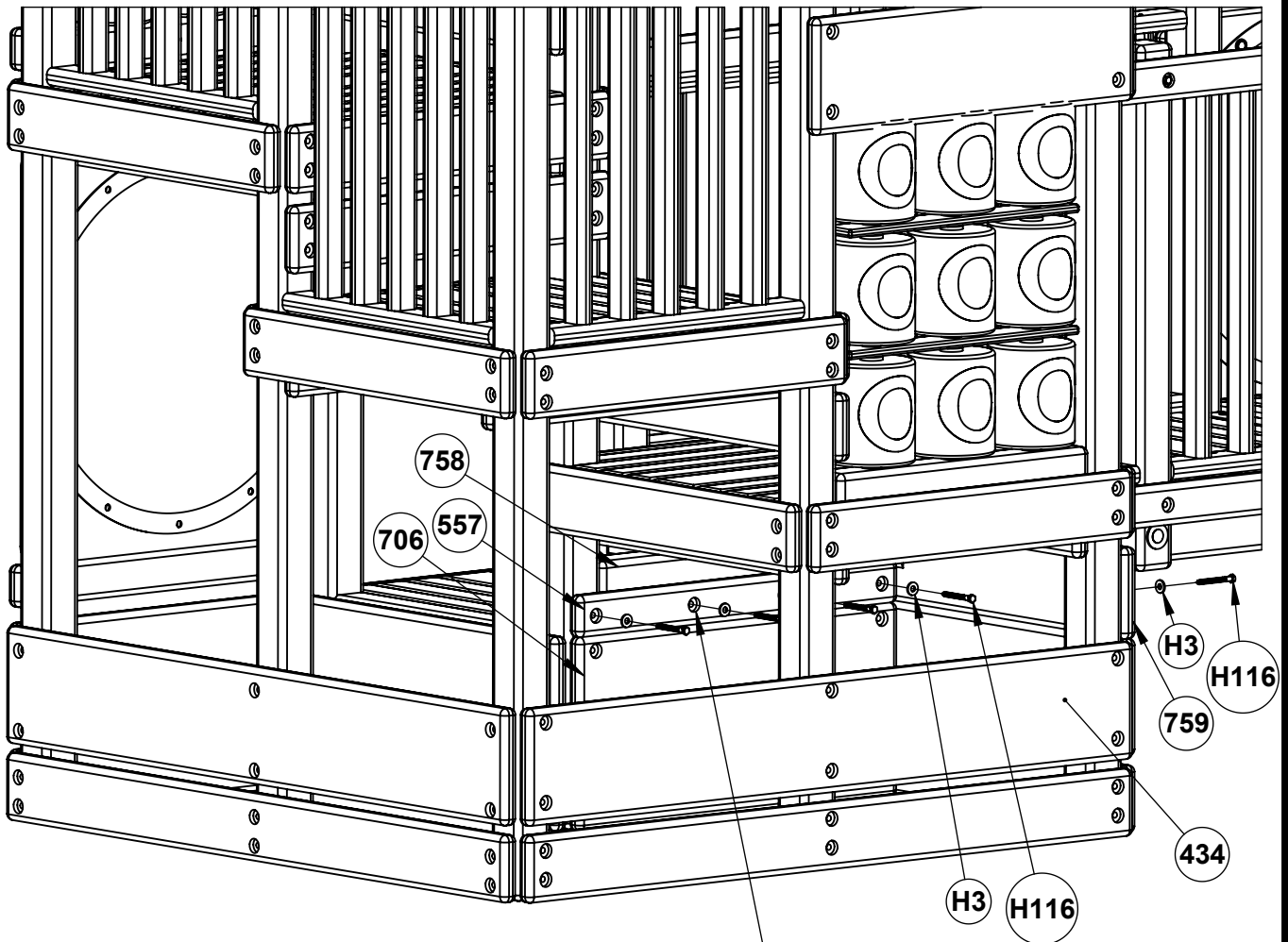
1. Position Surfacing Plaque (N267) on 4 Hole Sandbox Facia (719) (as shown in Detail A) and attach using #10 Hardware (H157).
2. Position Warning Plaque (N265) and Supervision Plaque (N266) on Deck Facia (430) (as shown) and attach using #10 Hardware (H157).
3. Position Rainbow Commercial Plaque (N270) on Arched Facia (707) (as shown) and attach using #10 Hardware (H158).



Step 44

Package 3 Filler Board Installation

1. Position Filler Facia (759) (in location shown) on top of 6 Hole Sandbox Facia (434) and attach using 3/8" Hardware (H3) (H116).
2. Position 2 Hole Facia (557) on top of 4 Hole Facia (706) and attach using 3/8" Hardware (H3) (H116).
3. Pre-drill 2 Hole Facia (557) with 1 1/8" Dia. Hole 3/8" deep with a 7/16" Dia. thru hole.
4. Attach Filler Block (758) to 2 Hole Facia (557) using 3/8" Hardware (H3) (H116).



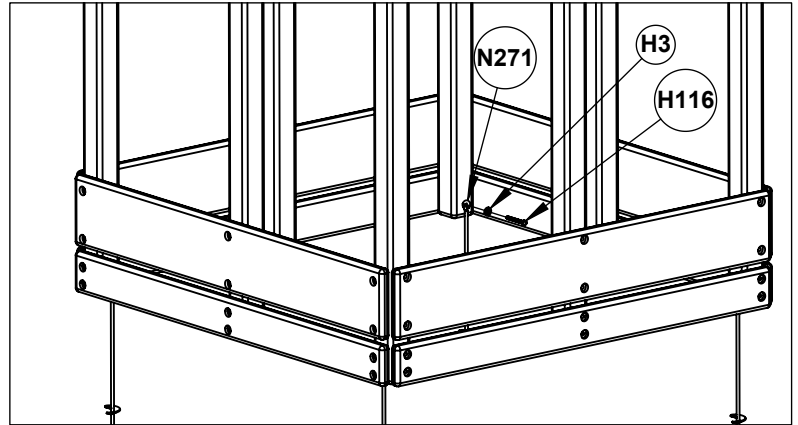
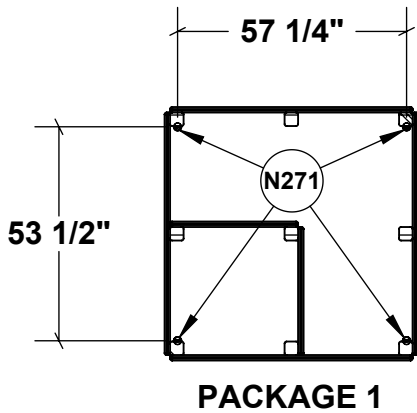
PRE-DRILL 1 1/8" DIA.
HOLE 3/8" DEEP WITH
7/16" DIA. HOLE THRU

Step 45

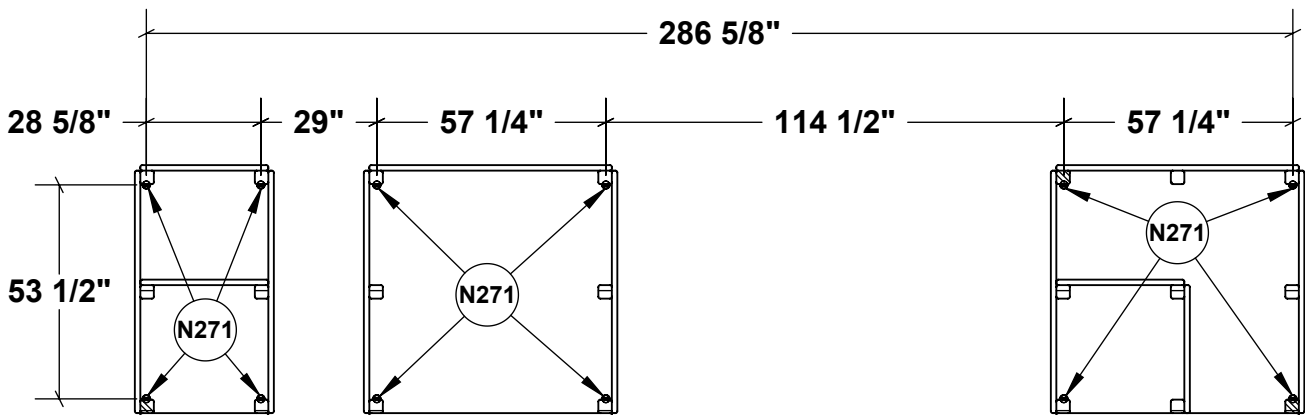
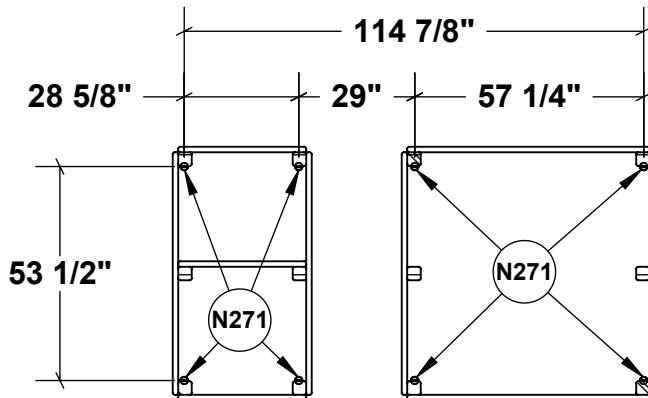
Stake Layout and Installation

***NOTE: Stakes (N271) should only stick 2"-3" above the solid ground level.**

1. Following the measurements below, mark the locations of Stakes (N271) for Package 1, 2, or 3.
2. Drill Stakes (N271) into the ground using an impact gun.
3. Position Structures in proper location and attach Stakes (N271) to Uprights using 3/8" Hardware (H3) (H116) (as shown in Detail A).



DETAIL A



PACKAGE 3

Exclusive Ten & One-Year Commercial Warranties

Please supervise children's play activity and maintain your play equipment periodically as specified in the owner's manual.

An important note about wood and our warranty: The wooden components in your Rainbow Play System will have imperfections. We remind you that seasonal checks and surface cracks, knot holes and knots are natural characteristics of wooden play equipment. Imperfections that do not affect structural integrity are not covered under this warranty. Subject to proper installation and normal residential use, Rainbow Play Systems, Inc. warrants to the original retail purchaser that, for a period of ONE YEAR from the date of purchase, and subject to the limitations stated below, all tarps, chain, seats, screws, powder-coated brackets, rungs and handles, plastic handles, ship's wheel, periscope, binoculars, and accessories will be free from defects in material and workmanship. Merchandise covered under this limited one-year warranty will be repaired or replaced, at Rainbow's option, and shipped at the customer's expense to the Rainbow showroom handling the warranty work per Rainbow's normal method and timing of shipments to that showroom. Expedited shipping to the showroom location or to customer's designated location is also available but must be fully prepaid by the customer prior to shipment. All labor costs, travel expenses and any other charges involved in the installation or replacement of the parts incurred by the Rainbow showroom (or by the showroom's authorized agents or installers) handling the warranty work will be the original purchaser's responsibility. The warranty coverage described in this paragraph is the original purchaser's sole and exclusive remedy. The warranty coverage described in this paragraph also lasts only as long as the original purchaser owns the play system and terminates if the original purchaser sells or otherwise transfers the unit.

In addition, for the period during which the original purchaser owns the system, and subject to proper installation and normal commercial use, Rainbow Play Systems, Inc. warrants to the original retail purchaser all wooden components against structural failure due to wood rot or insect infestation (excluding carpenter bees). Peeling, splintering, minor cracking caused by weather, surface cracks, knot holes and knots are natural characteristics of all wooden play equipment. Such imperfections that do not affect structural integrity are not covered under this warranty. This limited ten-year warranty also covers defects in material and workmanship in the scoop, spiral and Rainbow wave slides, crawl tunnel, crow's nest, swing hangers, tire swivel, bolts and all dipped brackets, rungs and handles. Merchandise covered under this limited ten-year warranty will be repaired or replaced, at Rainbow's option, and shipped at the customer's expense to the Rainbow showroom handling the warranty work per Rainbow's normal method and timing of shipments to that showroom. Expedited shipping to the showroom location or to customer's designated location is also available but must be fully prepaid by the customer prior to shipment. All labor costs, travel expenses and any other charges involved in the installation or replacement of the parts incurred by the Rainbow showroom (or by the showroom's authorized agents or installers) handling your warranty work will be the original purchaser's responsibility. The warranty coverage described in this paragraph is the original purchaser's sole and exclusive remedy. The warranty coverage described in this paragraph also lasts only as long as the original purchaser owns the play system and terminates if the original purchaser sells or otherwise transfers the unit.

Rainbow Play Systems, Inc. reserves the right to examine photographs or physical evidence of merchandise claimed to be defective, and to recover said merchandise, prior to disposition of warranty claims. Merchandise returned to our factory for examination or recovery must be shipped freight prepaid, unless a Return Authorization Number is issued. For purposes of any warranty offered by Rainbow, the following are not considered defects in materials and workmanship if they do not affect the functionality of the component or system: (1) cracks in plastic components; (2) surface rust on hardware or powder-coated components; and (3) fading of any component or accessory, including, without limitation, slides, tube slides, plastic panels, ship's wheel, periscope or binoculars.

Failure to maintain the play system properly - including, without limitation and by way of example only, not staining the unit or not checking or tightening the hardware as specified in the owner's manual - may cause the warranties described herein not to apply in certain circumstances. No warranty is offered on the following: (1) equipment subjected to abuse, negligence, improper installation, vandalism, acts of God, unauthorized alteration or attachment of equipment other than authorized Rainbow® accessories; or (2) equipment subjected to improper use, service or repair by customer or any third party.

To the maximum extent permitted by law, this warranty and the remedies set forth herein are exclusive and expressly in lieu of all other warranties, expressed or implied, including warranties of merchantability or fitness for a particular purpose. If Rainbow Play Systems, Inc. cannot disclaim or exclude implied warranties under applicable law, then to the extent possible any claims under any such implied warranties shall expire on expiration of the applicable warranty period. Some states do not allow limitations on how long an implied warranty lasts, so the above limitation may not apply to you. Rainbow Play Systems, Inc. does not assume, or authorize any person to assume for us, any other liability in connection with the sale of our products.

To the maximum extent permitted by law, Rainbow Play Systems, Inc. assumes no responsibility for incidental or consequential damages which may arise from the purchase or use of our equipment. Some states do not allow the exclusion or limitation of incidental or consequential damages, so the above limitation or exclusion may not apply to you.

If any provision of this limited warranty is invalid, void or unenforceable in any instance or respect, the unenforceable provision will be severed and reformed to effect the intent of this limited warranty to the maximum extent possible, and the remaining provisions shall continue in full force and effect and shall be enforced to the full extent permitted by law.

This warranty gives you specific legal rights, and you may also have other rights, which vary from state to state.