



**PLAY SYSTEMS, INC.®**  
FINE RESIDENTIAL PLAY EQUIPMENT

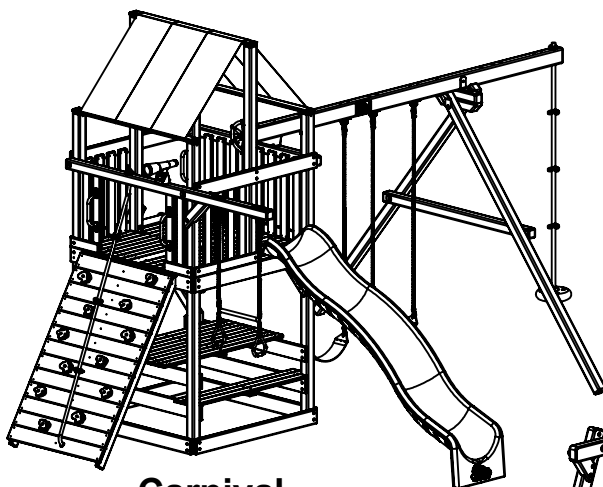
## Carnival Clubhouse

Assembly Instructions

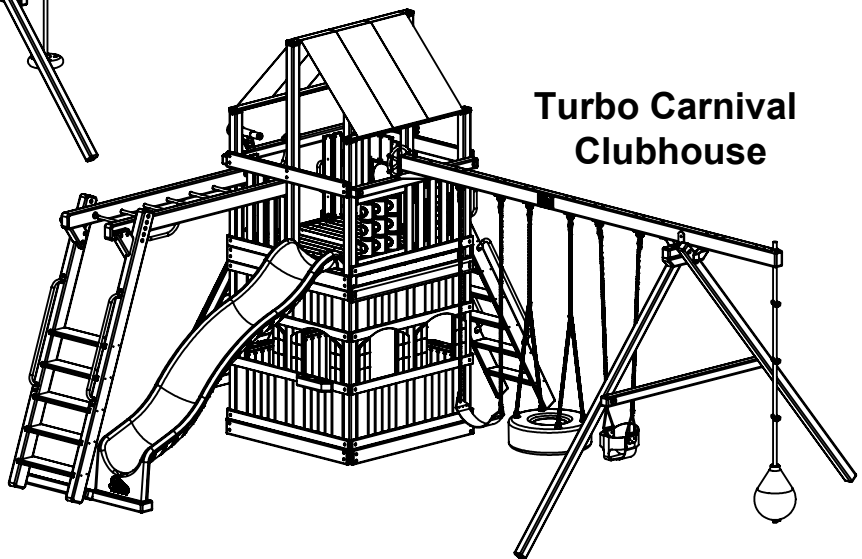
5-70-0424

(Rev 1 -3/7/17)

Contains Assembly, Use, and Maintenance Instructions



**Carnival  
Clubhouse**



**Turbo Carnival  
Clubhouse**

**⚠ WARNING:** Not suitable for children under 36 months. Fall Hazard.  
Only for domestic use.

To be used under the direct supervision of an adult. Intended for children ages 3-12.

This owner's manual contains important information about how to assemble, locate, use, and maintain this playground equipment. Read this manual before you start assembly. Follow all instructions. Be sure to educate all children who use this playground and all adult supervisors about the rules for safe use that are contained in this manual.

Keep this Owner's Manual for future reference and to remind you of how to safely use and maintain this equipment.

RAINBOW RESERVES THE RIGHT TO MAKE CHANGES AND MODIFICATIONS TO THIS PRODUCT.

COPYRIGHT 2017 RAINBOW PLAY SYSTEMS, INC. ALL RIGHTS RESERVED

# Step 8

## Second Wall Assembly (with Lower Level Playhouse)

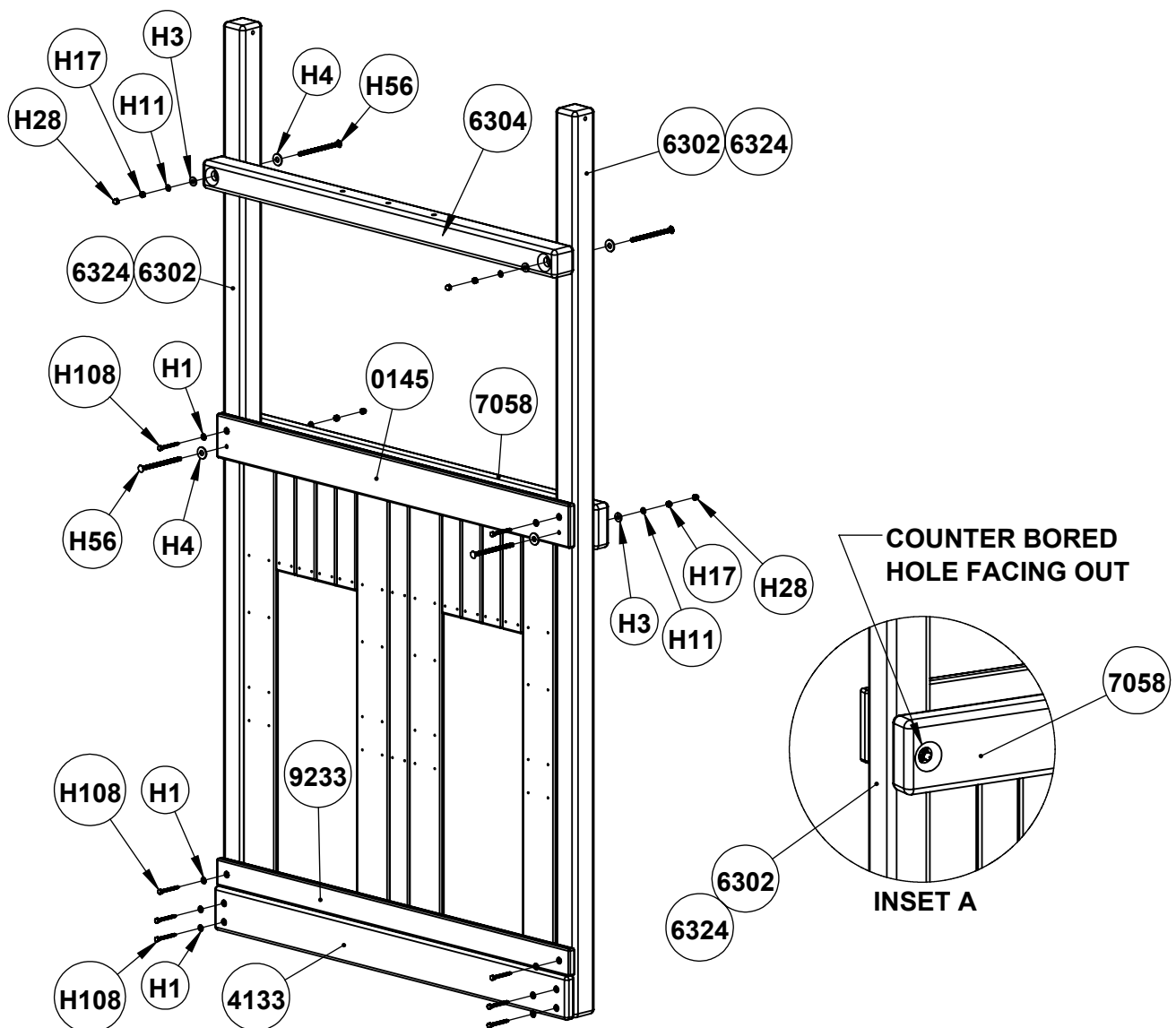
**\*NOTE: Pre-drill 1/8" holes for all 5/16" Lag Bolts.**

1. Position Top Joist (6304) against Corner Uprights (6302) (6324) and attach using 1/2" Hardware (H4) and 3/8" Hardware (H3) (H11) (H17) (H28) (H56).
2. Attach 4 Hole Facia (4133) to Corner Uprights (6302) (6324) using 1/4" Hardware (H1) and 5/16" Hardware (H108). Ends and bottom of Facia must be flush with bottoms and outside faces of Upright.
3. Position Rock Wall Mounting Facia (0145) with previously attach Playhouse Uprights, against Corner Uprights (6302) (6324). Attach Facia through Uprights and Main Beam (7058) using 1/2" Hardware (H4) and 3/8" Hardware (H3) (H11) (H17) (H28) (H56). Bottom of 2 Hole Facia (9233) should sit directly on top of 4 Hole Facia (4133).

**\*NOTE: Counter bored holes in Main Beam must be facing out (as shown in Inset A).**

**\*NOTE: Playhouse Uprights should not have been attached to Rock Wall Mounting Facia if installing the Turbo Carnival Clubhouse. Attach Rock Wall Mounting Facia, without attached Playhouse Uprights, using same processes.**

4. Finish attaching Rock Wall Mounting Facia (0145) and 2 Hole Facia (9233) to Uprights (6302) (6324) using 1/4" Hardware (H1) and 5/16" Hardware (H108).



# Step 9

## Wall Support Assembly

**\*NOTE:** Steps going forward will be shown with the Rock Wall Mounting Facia (0145).

Processes will be the same if not mounting the Rock Wall unless otherwise noted.

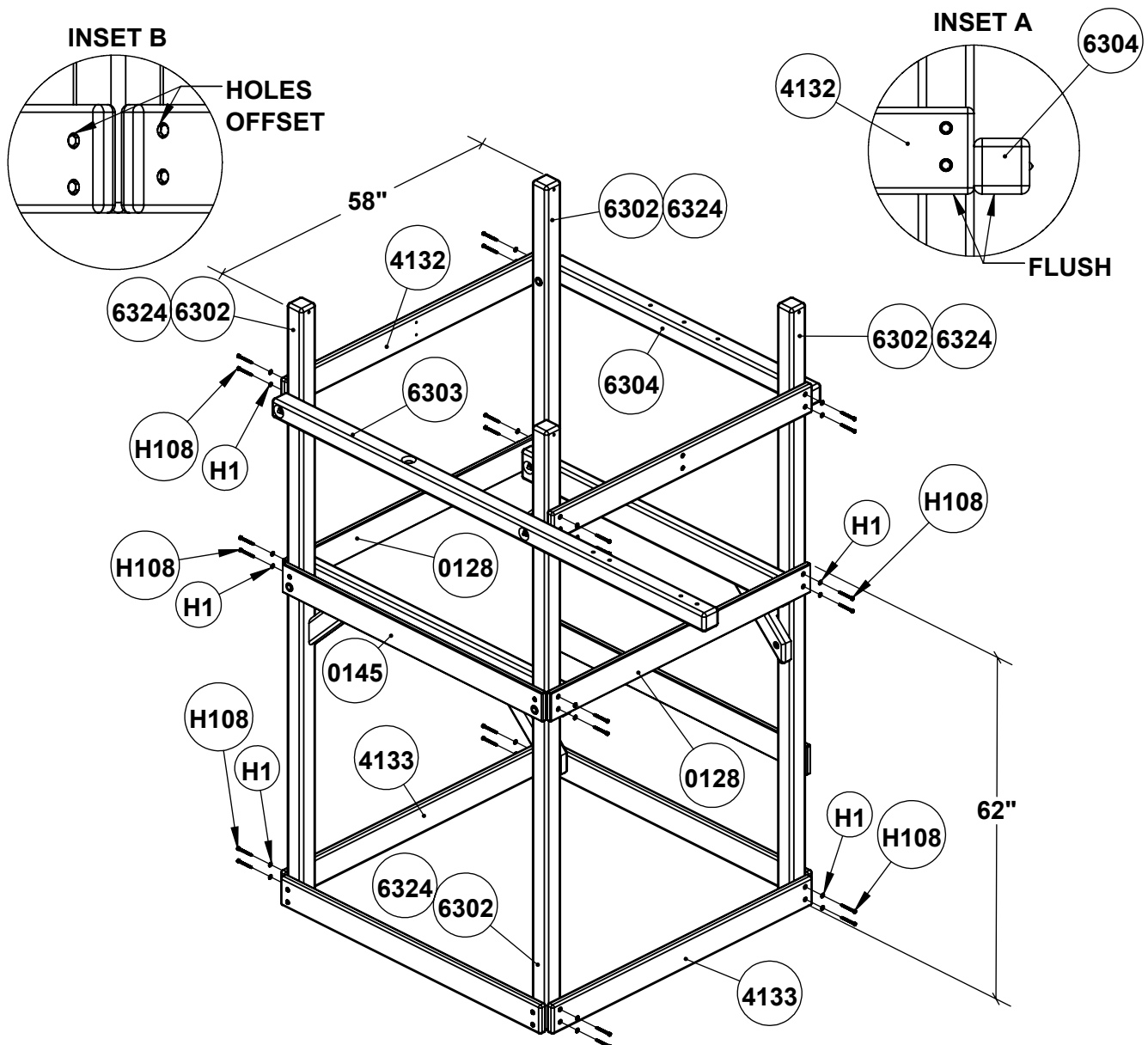
1. Stand up wall assemblies and attach 4 Hole Facias (4133) to Corner Uprights (6302) (6324) using 1/4" Hardware (H1) and 5/16" Hardware (H108). Holes in 4 Hole Facias must be offset with adjacent Facias (as shown in Inset B).

**\*NOTE:** Wall assemblies should measure 58" apart when properly installed.

**\*NOTE:** Ends and bottoms of Facias must be flush with bottoms and outside faces of Uprights.

2. Measure up 62" and attach 4 Hole Facias (0128) to Corner Uprights (6302) (6324) using 1/4" Hardware (H1) and 5/16" Hardware (H108).
3. Position 6 Hole Facias (4132) against Corner Uprights (6302) (6324) and attach using 1/4" Hardware (H1) and 5/16" Hardware (H108).

**\*NOTE:** Bottoms of 6 Hole Facias must be flush with bottoms Accessory Arm (6303) and Top Joist (6304) (as shown in Inset A).



# Step 10

## Picnic Table Installation

**\*NOTE:** If not installing Picnic Table skip to Step 12.

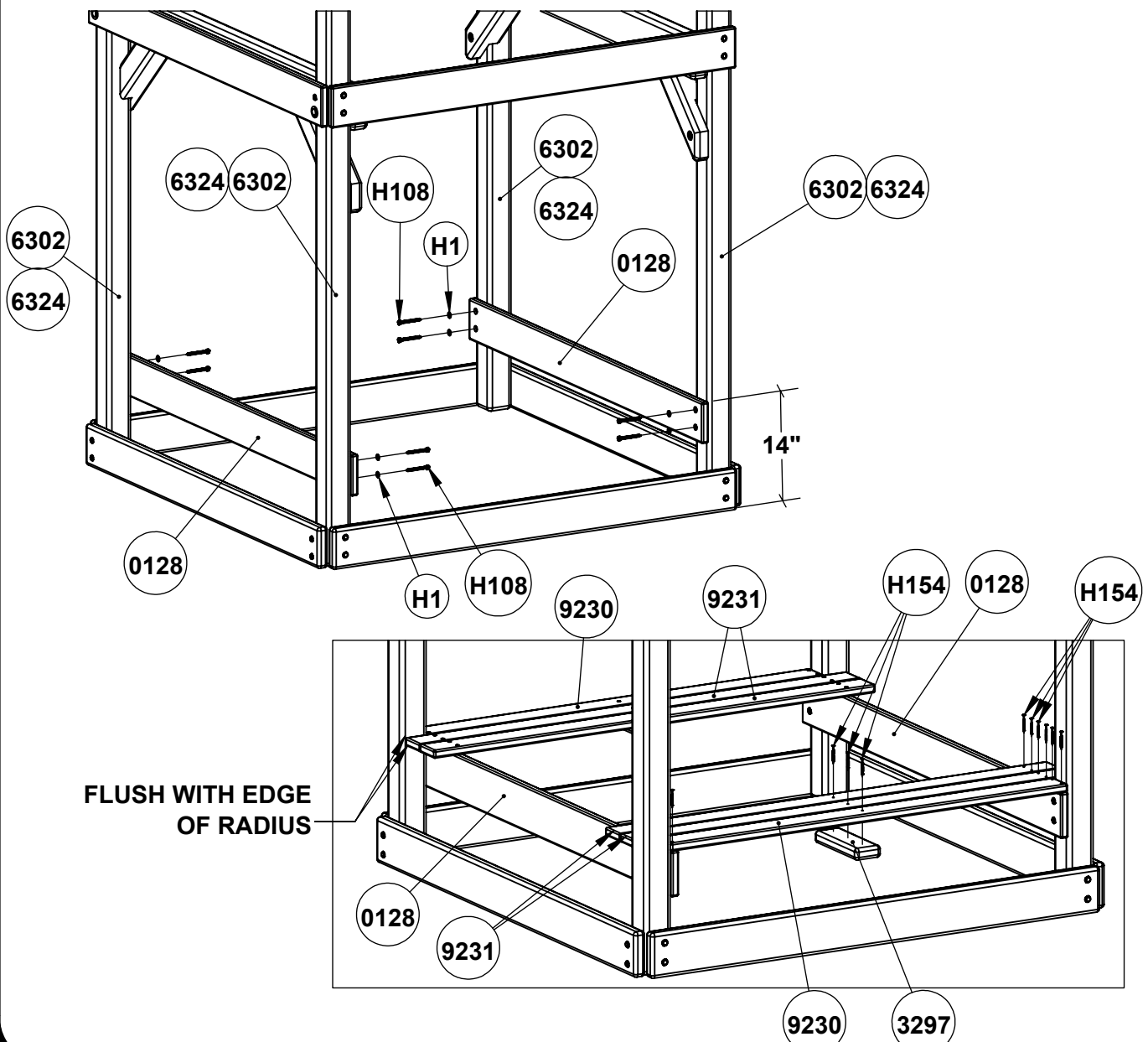
1. Measure up 14" on Corner Uprights (6302) (6324) and attach 4 Hole Facias (0128) using 1/4" Hardware (H1) and 5/16" Hardware (H108).

**\*NOTE:** 4 Hole Facias must run in the same direction as the Main Beams.

2. Layout and attach Short Picnic Boards (9230) and Picnic Boards (9231) to 4 Hole Facias (0128) using #8 Hardware (H154).

**\*NOTE:** Picnic Boards (9231) should be flush with radius of Corner Uprights (6302) (6324) when properly installed.

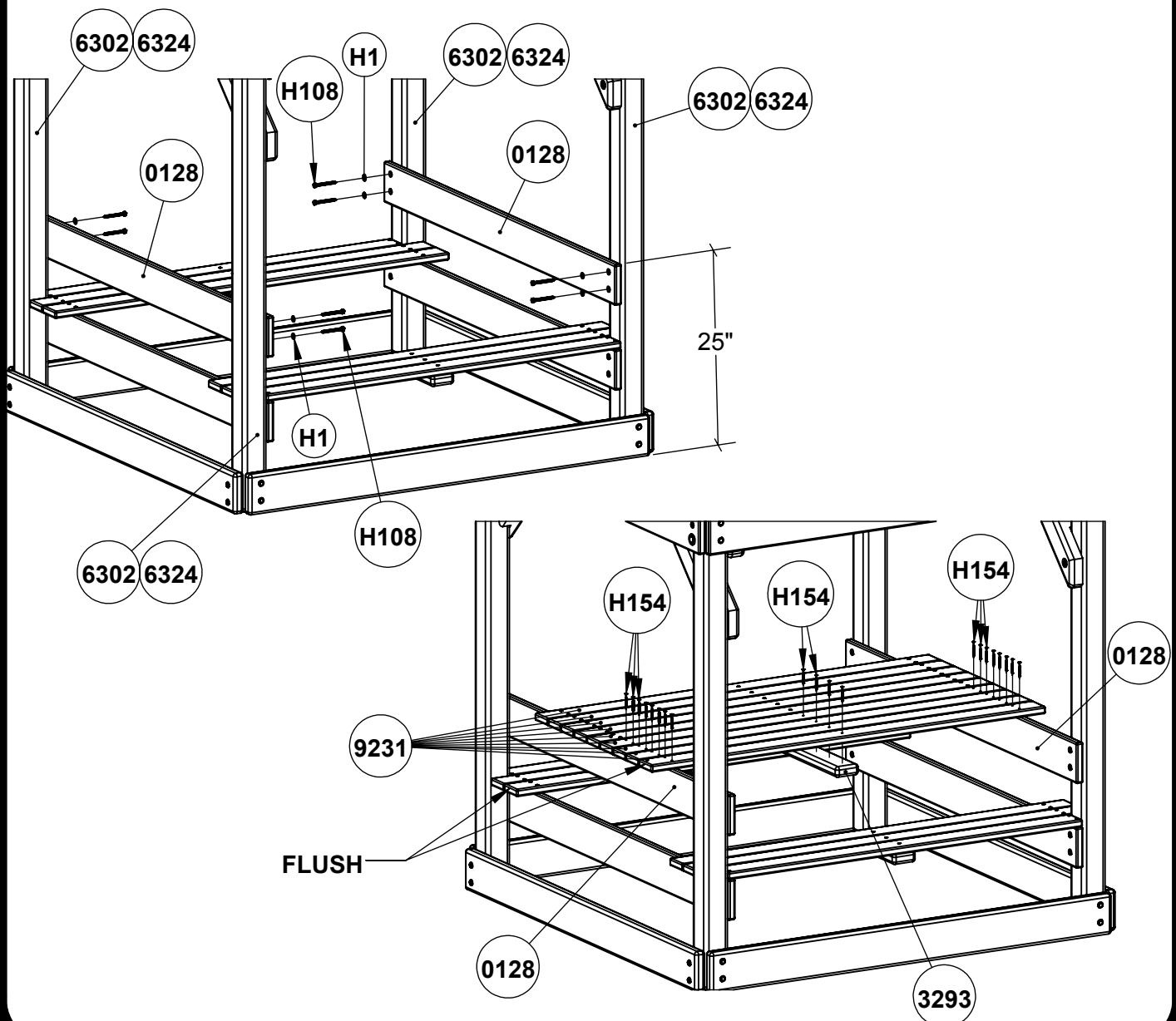
3. Center Seat Runners (3297) on underside of Seat Boards and attach using #8 Hardware (H154).



# Step 11

## Picnic Table Installation

1. Measure up **25"** on Corner Uprights (**6302**) (**6324**) and attach 4 Hole Facias (**0128**) using 1/4" Hardware (**H1**) and 5/16" Hardware (**H108**).
2. Layout and attach Picnic Boards (**9231**) to 4 Hole Facias (**0128**) using #8 Hardware (**H154**).  
**\*NOTE: Picnic Boards should be pushed up tight to each other and centered across 4 Hole Facias. Ends of Picnic Boards should be flush with ends of previously installed Seat Boards.**
3. Center Table Runner (**3293**) on underside of Picnic Boards (**9231**) and attach using #8 Hardware (**H154**).



# Step 12

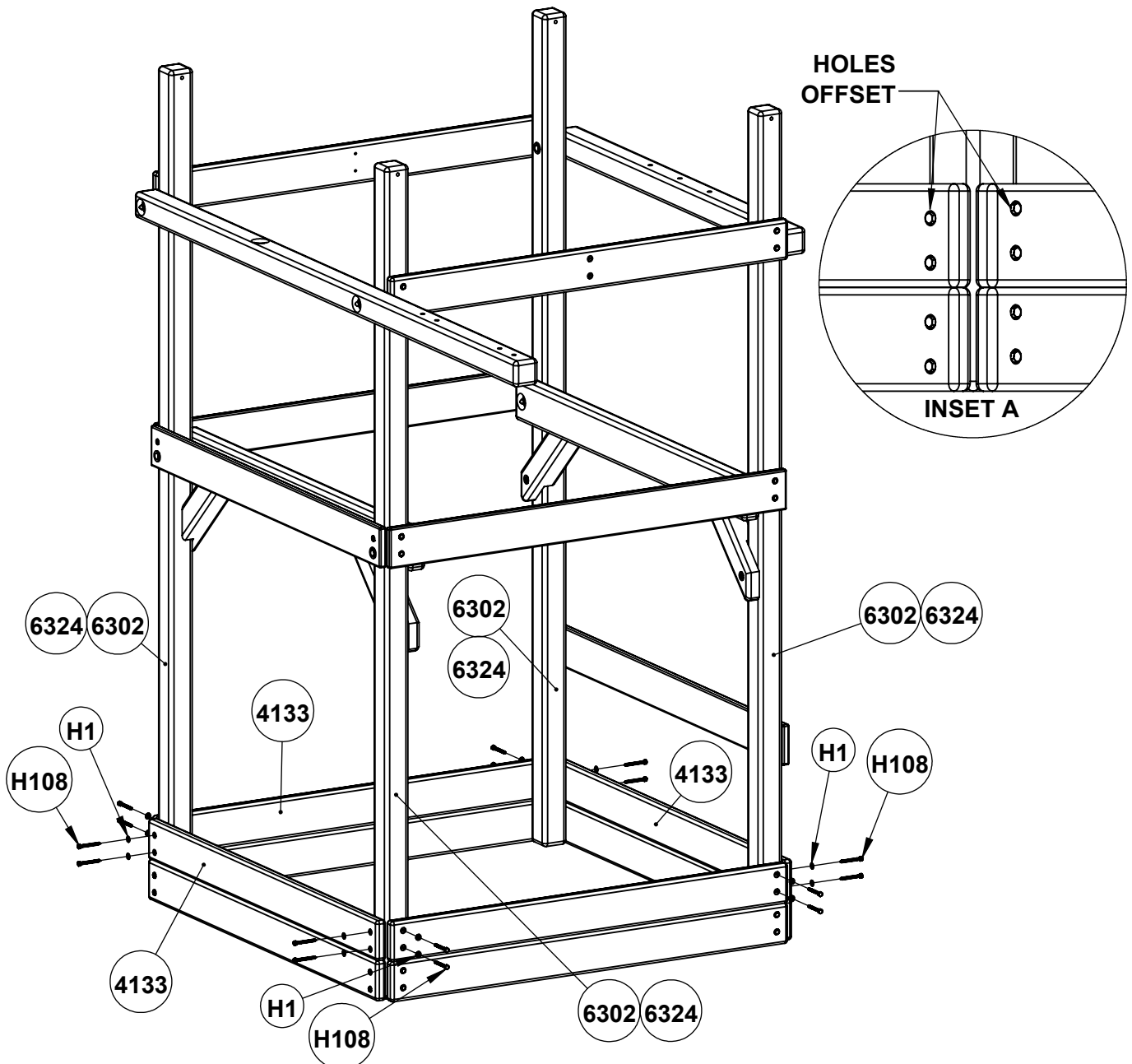
## Double Deep Sandbox Installation

**\*NOTE:** If not installing Double Deep Sandbox, skip to next Step.

1. Position 4 Hole Facias (4133) directly on top of previously installed 4 Hole Facias. Ends of Facias must be flush with outside faces of Corner Uprights (6302) (6324).

**\*NOTE:** Ensure that counter bored holes of adjacent Facias are offset (as shown in Inset A).

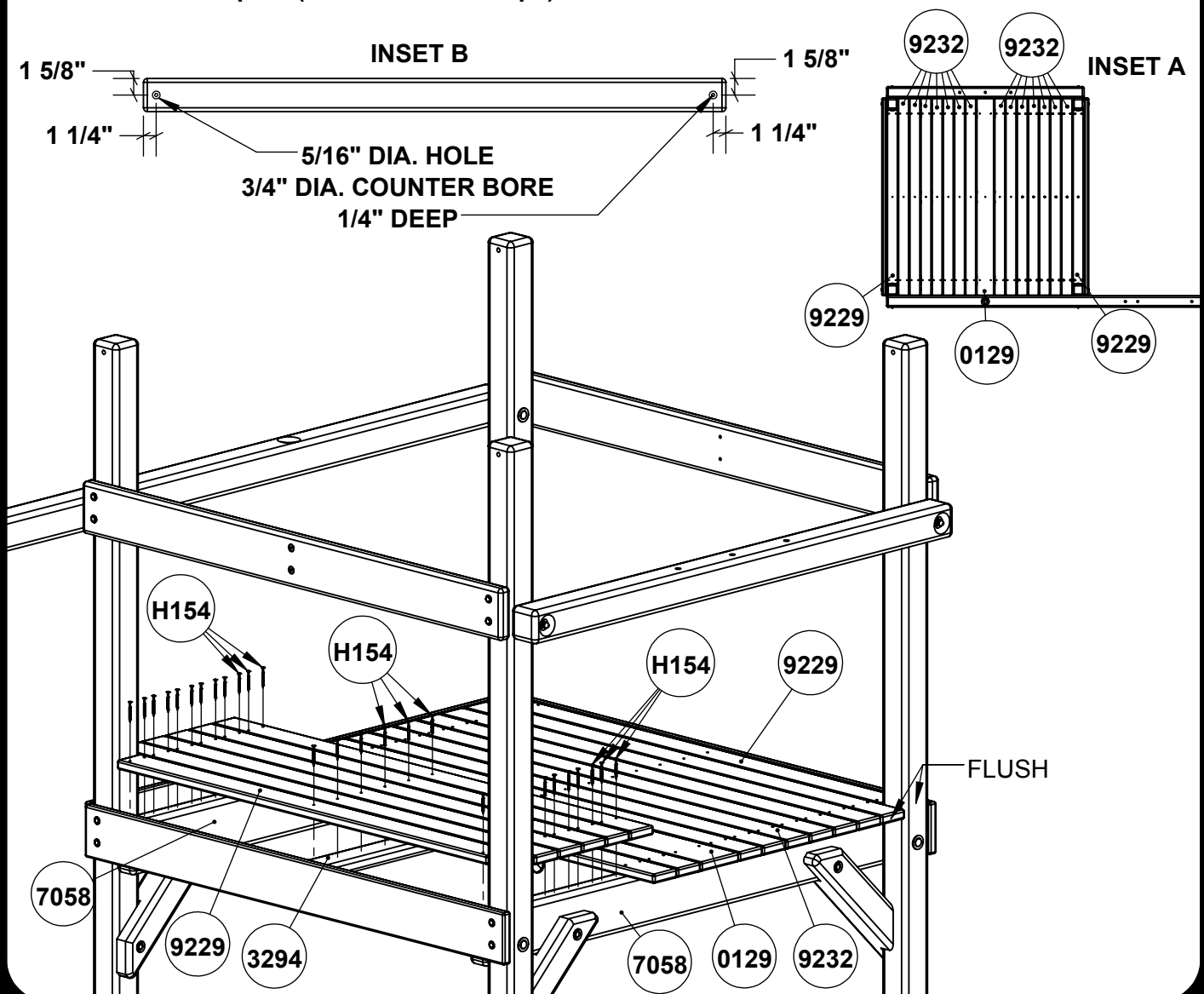
2. Attach 4 Hole Facias (4133) to Corner Uprights (6302) (6324) using 1/4" Hardware (H1) and 5/16" Hardware (H108).



# Step 13

## Deck Installation

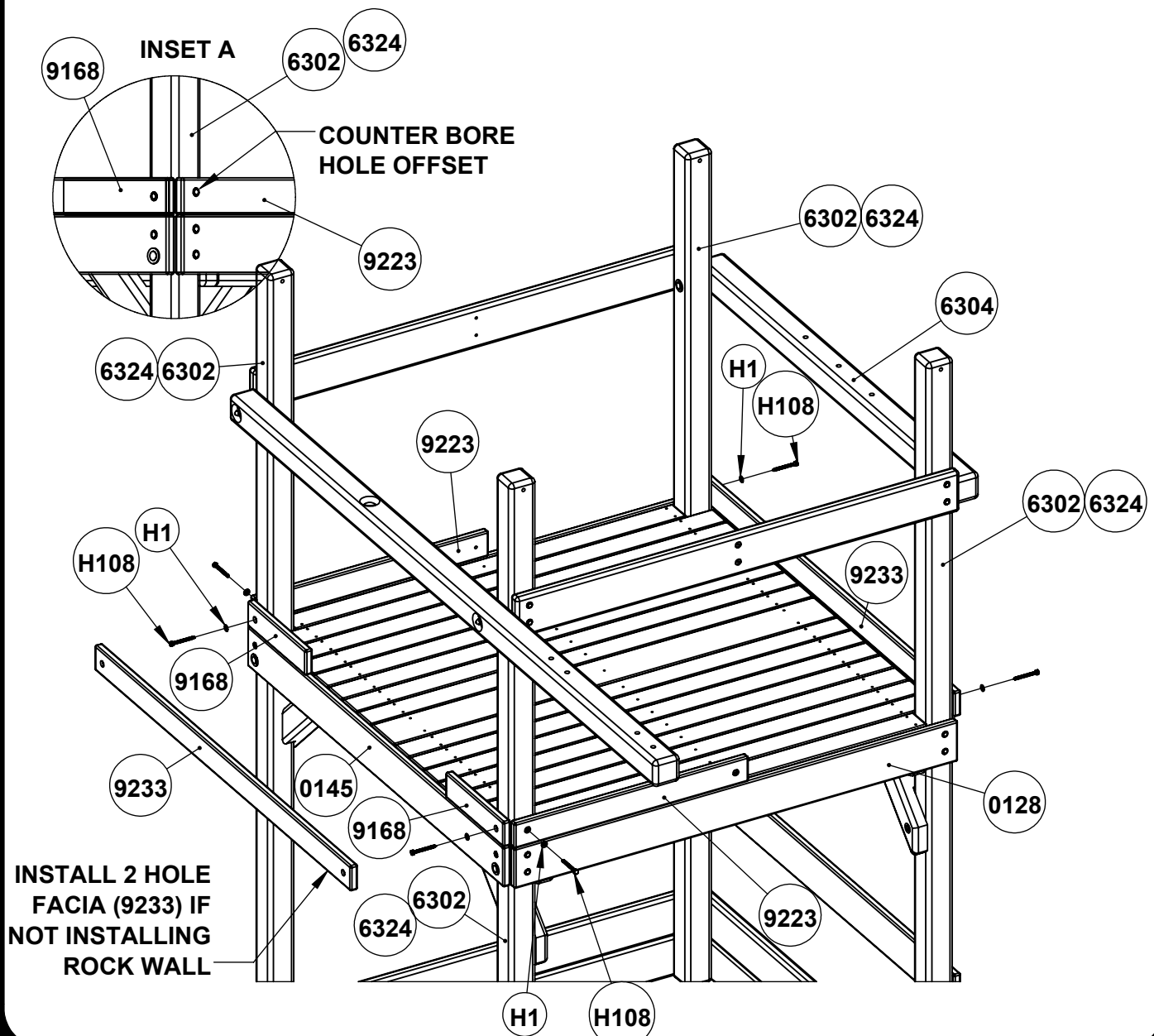
1. Layout and evenly space Deck Boards (9229) (9232) (0129) across Main Beams (7058) referring to pattern shown in Inset A. Attach Deck Boards using #8 Hardware (H154).
  - \*NOTE: Ends of Deck Boards (9232) (0129) should be flush with faces of Corner Uprights (6023) (6324) when properly installed.
  - \*NOTE: If one or both of the Corner Facias (9223) will not be installed on the front or the back of the set, the Deck Runner (3294) will have to be modified. Refer to Inset B and #3 for modification instructions.
2. Center Deck Runner (3294) on underside of Deck and attach using #8 Hardware (H154).
  - \*NOTE: If Deck Runner (3294) has been modified, do not install #8 Hardware in center holes of Short Deck Board (9229).
3. If more than one play option is installed on the front or back of the set, and the Corner Facia (9223) will not be installed, the Deck Runner (3294) will have to be drilled to secure the Center Post. Using measurements shown in Inset B, drill a 5/16" diameter hole with a 3/4" diameter counter bore, 1/4" deep.
  - \*NOTE: Only drill a hole in the Deck Runner where there will not be a Corner Facia securing the center post (shown in later Steps).



# Step 14

## Facia Installation

1. Position Corner Facia (9168) directly on top of Rock Wall Mounting Facia, with ends flush with faces of Corner Uprights (6302) (6324). Attach Facias using 1/4" Hardware (H1) and 5/16" Hardware (H108).  
**\*NOTE: If not installing Rock Wall, install 2 Hole Facia (9233) in place of Corner Facias (9168). Bottom of 2 Hole Facia must be flush with top of Deck when properly installed.**
2. Position Corner Facias (9223), on front and back of set, directly on top of 4 Hole Facias (0128) and attach to Corner Uprights (6302) (6324) using 1/4" Hardware (H1) and 5/16" Hardware (H108).  
**\*NOTE: Depending on your set configuration, one or both of the Corner Facias (9223) may not need to be installed.**
3. Position 2 Hole Facia (9233) under Top Joist, against Corner Uprights (6302) (6324) and attach using 1/4" Hardware (H1) and 5/16" Hardware (H108).  
**\*NOTE: Bottom of 2 Hole Facia must be flush with top of Deck when properly installed.**





# Step 15

## Center Post Installation

1. Position Center Posts (6138) (6313) directly on Deck, flush with ends of Corner Facias (9223) and attach through 6 Hole Facias (4132) and Corner Facias (9223) using 1/4" Hardware (H1) and 5/16" Hardware (H108).

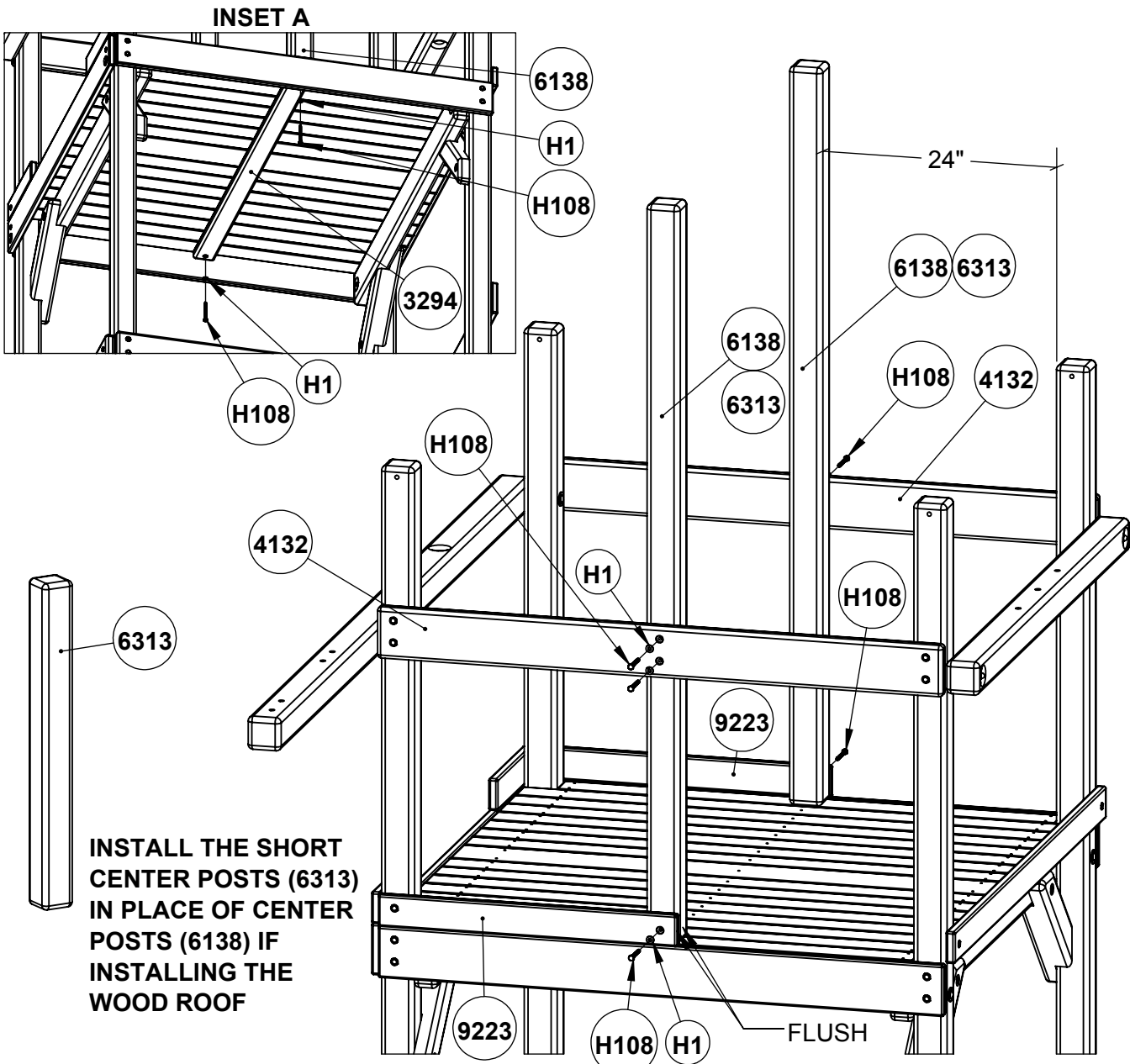
**\*NOTE:** If installing Wood Roof, install Center Posts (6313).

**\*NOTE:** Openings should measure 24" when properly installed.

2. If securing Center Posts (6138) (6313) through the deck and not through the Corner Facias (9223), the Deck Runner (3294) should have been modified in a previous Step. Ensure Center Posts are plumb and attach through previously drilled holes in Runner using 1/4" Hardware (H1) and 5/16" Hardware (H108) (as shown in Inset A).

**\*NOTE:** Use a drill bit to pre-drill through the Deck to avoid splitting out the Deck Boards.

**\*WARNING:** Be sure that screws were not installed in the center holes in Short Deck Boards if securing Center Posts through the Deck.

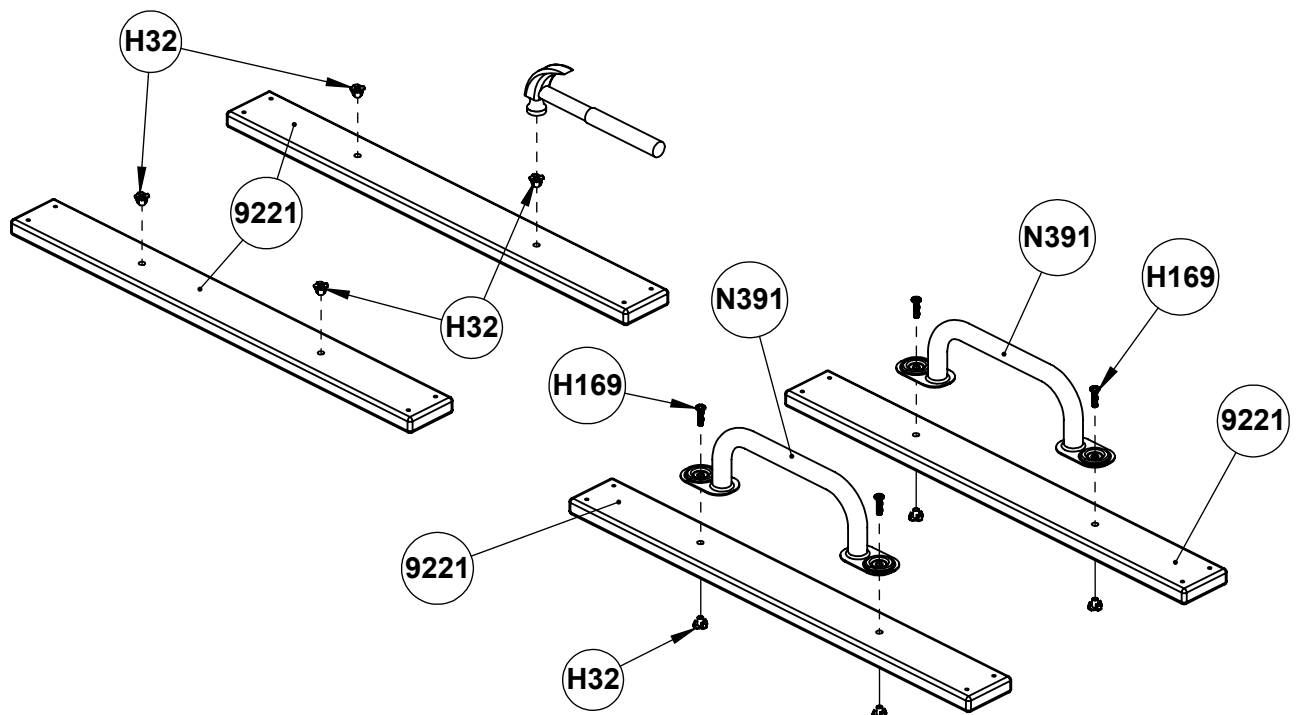


# Step 16

## Safety Handle Installation

**\*NOTE:** If not installing Rock Wall, skip to next Step.

1. Lay Rail Uprights w/ Handle Holes (**9221**) on a flat surface. Install 1/4" Hardware (**H32**) into pre-drilled holes (as shown). A small hammer or mallet may be used if necessary.
2. Flip Rail Uprights w/ Handle Holes (**9221**) and attach Safety Handles (**N391**) (as shown) using 1/4" Hardware (**H169**) and previously installed 1/4" Hardware (**H32**).



# Step 17

## Rail Upright Installation

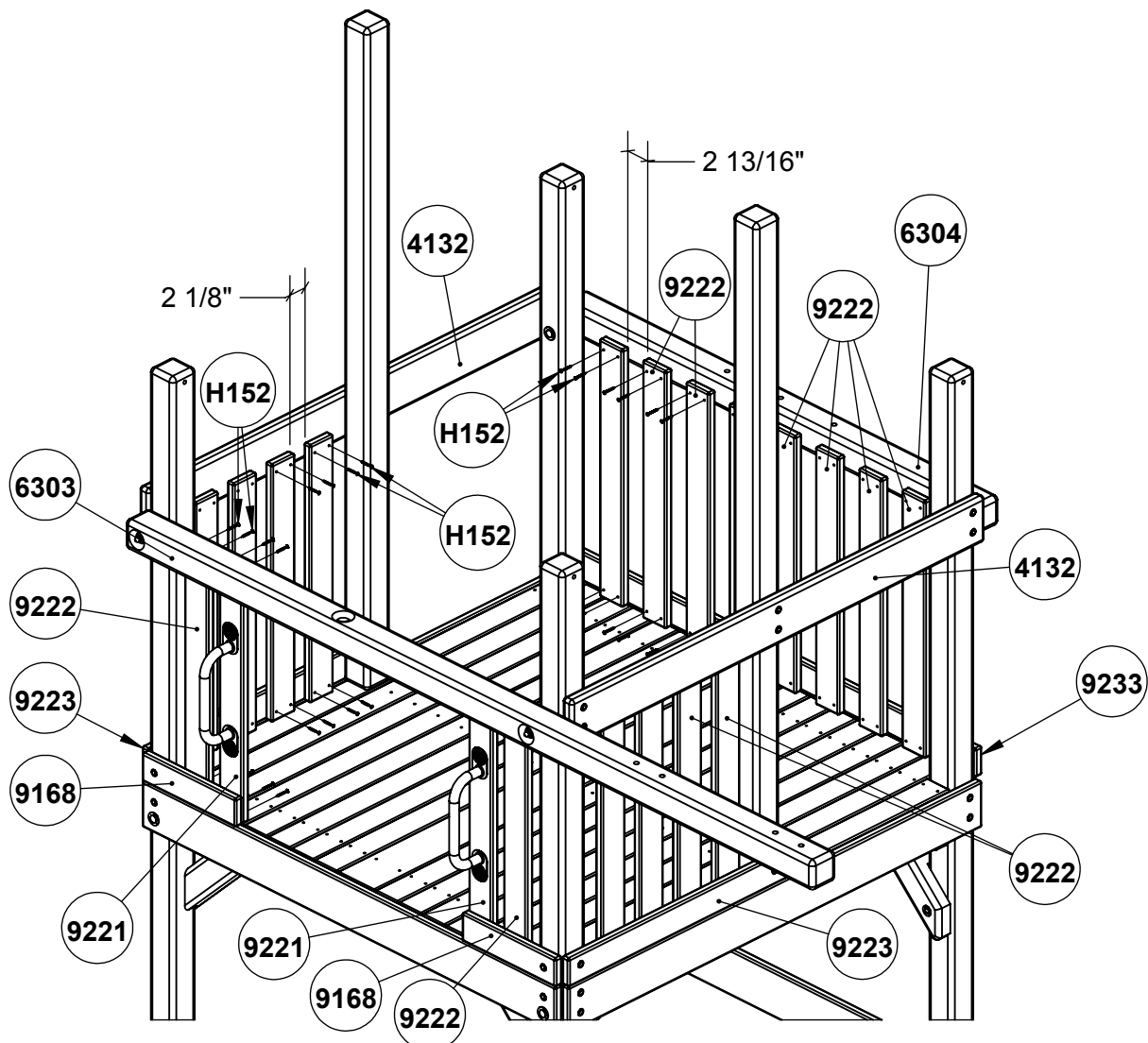
**\*NOTE:** If installing the Cabin Package, do not install Rail Uprights (9221) (9222) at this time.

**\*NOTE:** If installing Tic Tac Toe, Bubble Window, Monkey Bar, Fire Pole, Coil Climber or Ramp do not install Rail Uprights where those components will be installed at this time.

1. Evenly space Rail Uprights (9222) across Top Joist (6304) and 2 Hole Facia (9233) and attach using #8 Hardware (H152). Spacing between Rail Uprights will be approximately  $2 \frac{13}{16}$ ".

**\*NOTE:** Rail Upright installation is shown as if installing the Rock Wall. If not installing Rock Wall, evenly space Rail Uprights across Accessory Arm (6303) and 2 Hole Facia (9233) referring to spacing shown on the Top Joist Side.

2. If installing Rock Wall, attach Rail Uprights with Handle Holes (9221) to Accessory Arm (6303) and Corner Facias (9168) using #8 Hardware (H152). Rail Uprights with Handle Holes (9221) must be flush with ends of Corner Facias (9168).
3. Center and attach a Rail Upright (9222) between each Rail Upright with Handle Hole (9221) and Corner Upright using #8 Hardware (H152).
4. Evenly space and attach four Rail Uprights (9222) to both 6 Hole Facias (4132) and Corner Facias (9223) using #8 Hardware (H152). Spacing between Rail Uprights will be approximately  $2 \frac{1}{8}$ ".



# Step 18

## Bubble Window Installation

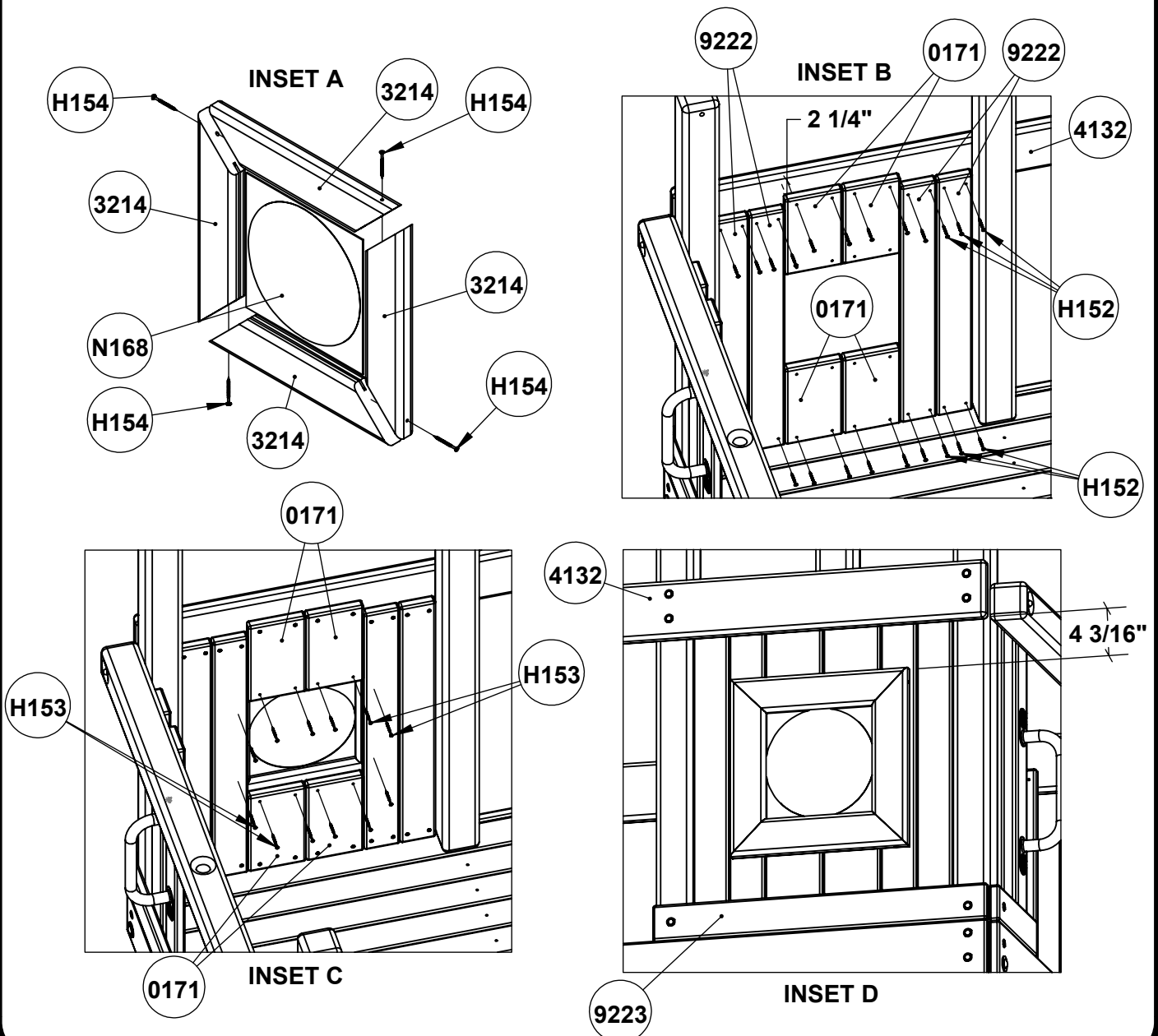
**\*NOTE: If not installing Bubble Window, skip to next Step.**

1. On a flat surface lay out Bubble Window Frames (3214) and insert Small Bubble Panel (N168) in notches in Bubble Window Frames (as shown in Inset A). Line up corners of Frames and attach together using #8 Hardware (H154).
2. Evenly space Rail Uprights (9222) and Bubble Window Uprights (0171) across 6 Hole Facia (4132) and Corner Facia (9223) and attach using #8 Hardware (H152).

**\*NOTE: Upper Bubble Window Uprights (0171) will measure 2 1/4" down from top of 6 Hole Facia when properly installed.**

3. Have a helper center assembled Bubble Window Frame against Rail Uprights (9222) and Bubble Window Uprights (0171) and attach using #8 Hardware (H153).

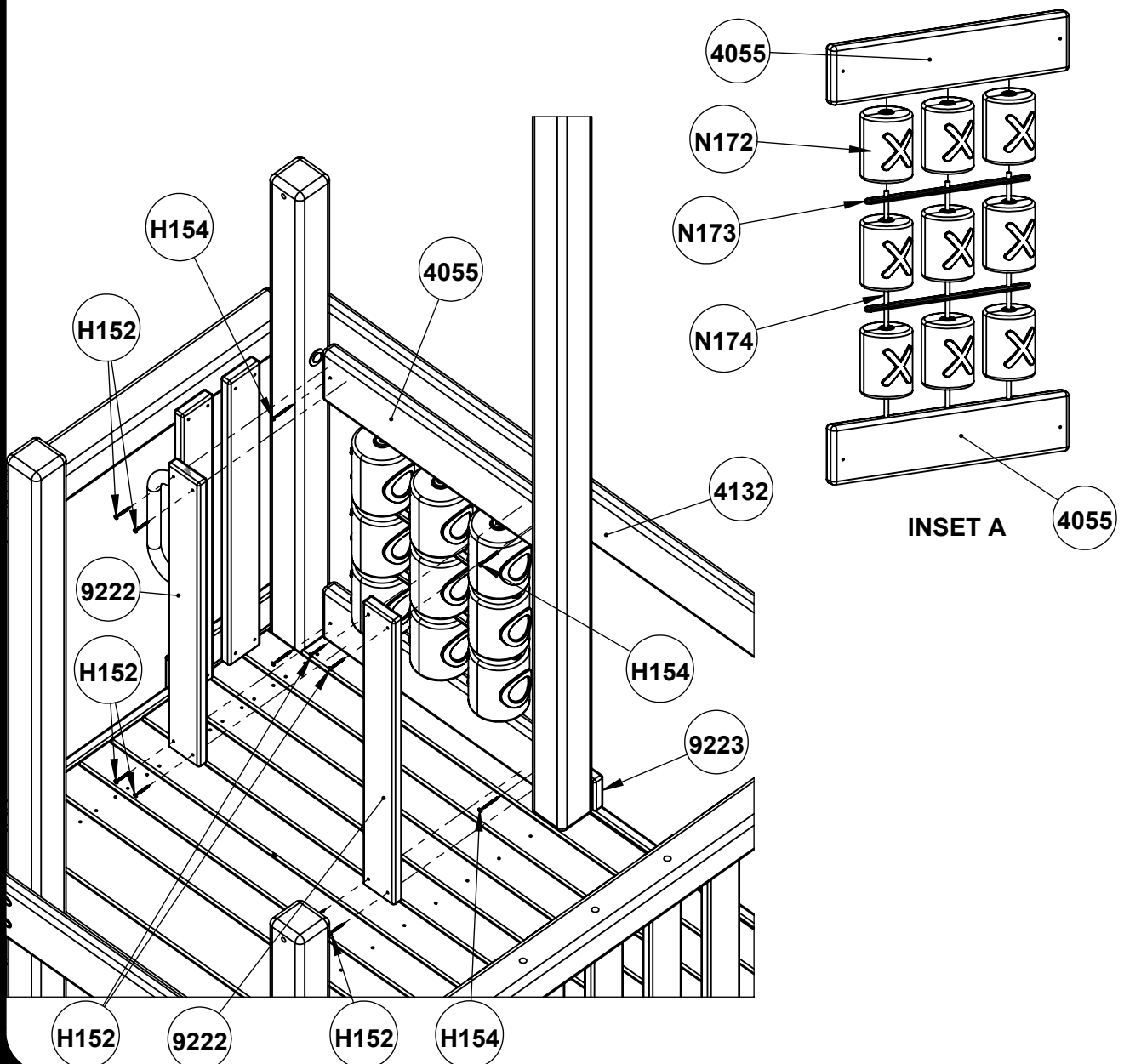
**\*NOTE: Assembled Frame will measure 4 3/16" down from bottom of 6 Hole Facia (4132) when properly installed.**



# Step 19

## Tic Tac Toe Installation

1. Insert the three Tic Tac Toe Rods (**N174**) into the Tic Tac Toe Bottom (**4055**) (as shown in Inset A).
2. Continue Tic Tac Toe assembly by placing three Tic Tac Toe Cylinders (**N172**) on the Tic Tac Toe Rods (**N174**) followed by a Tic Tac Toe Spacer (**N173**).
3. Place the rest of the Tic Tac Toe Cylinders (**N172**) and the Tic Tac Toe Spacer (**N173**) on the Tic Tac Toe Rods (**N174**) followed by the Tic Tac Toe Top (**4055**).
4. Position the assembly directly on the Deck, centered between the Uprights and attach the assembly to 6 Hole Facia (**4132**) and Corner Facia (**9223**) using #8 Hardware (**H154**).
5. Position the two Rail uprights (**9222**) against the Tic Tac Toe assembly and attach using #8 Hardware (**H152**).



# Step 19

## Chalkboard Assembly & Installation

1. Position Chalkboard Top/Bottoms (3161) and Chalkboard Sides (3160) around Chalkboard (N181), and slide Chalkboard into the grooves in Chalkboard Top/Bottoms (3161) and Chalkboard Sides (3160).

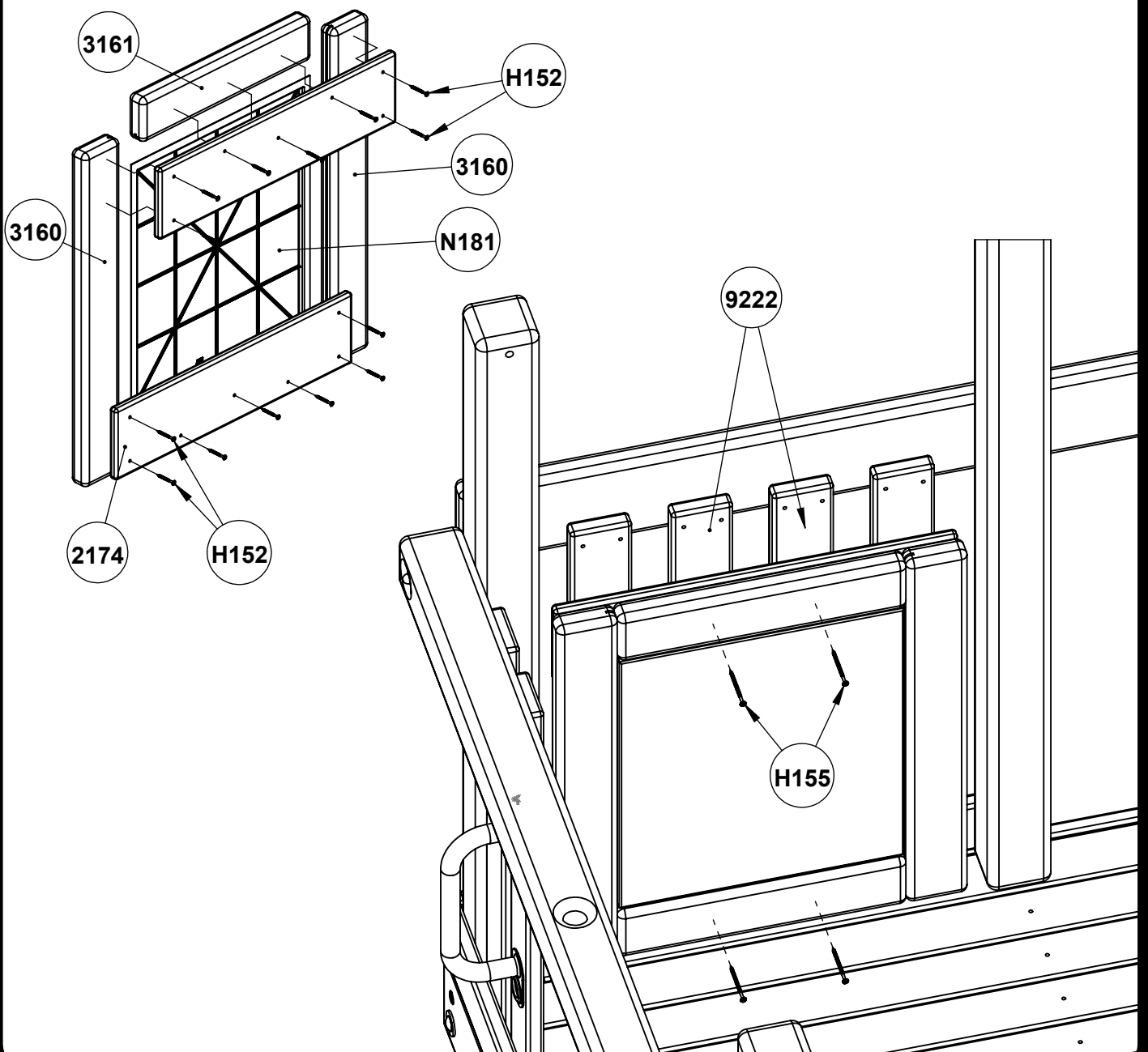
**\*NOTE:** Be sure that Chalkboard is oriented as shown and fits snugly, without gaps, inside Chalkboard Top/Bottoms and Chalkboard Sides.

2. On the back side of Chalkboard, center Chalkboard Runners (2174) on Chalkboard Top/Bottoms and Sides and attach using #8 Hardware (H152). Check to make sure assembly is square before attaching Chalkboard Runners (2174).

**\*NOTE:** Chalkboard assembly may be positioned anywhere on deck as long as it can be attached to Rail Uprights (9222) using four #8 Hardware (H155).

3. Place Chalkboard assembly directly on deck and attach to Rail Uprights (9222) using #8 Hardware (H155).

**\*NOTE:** A 1/8" drill bit may be used to pre-drill holes for the #8 Hardware to avoid splitting out the boards.

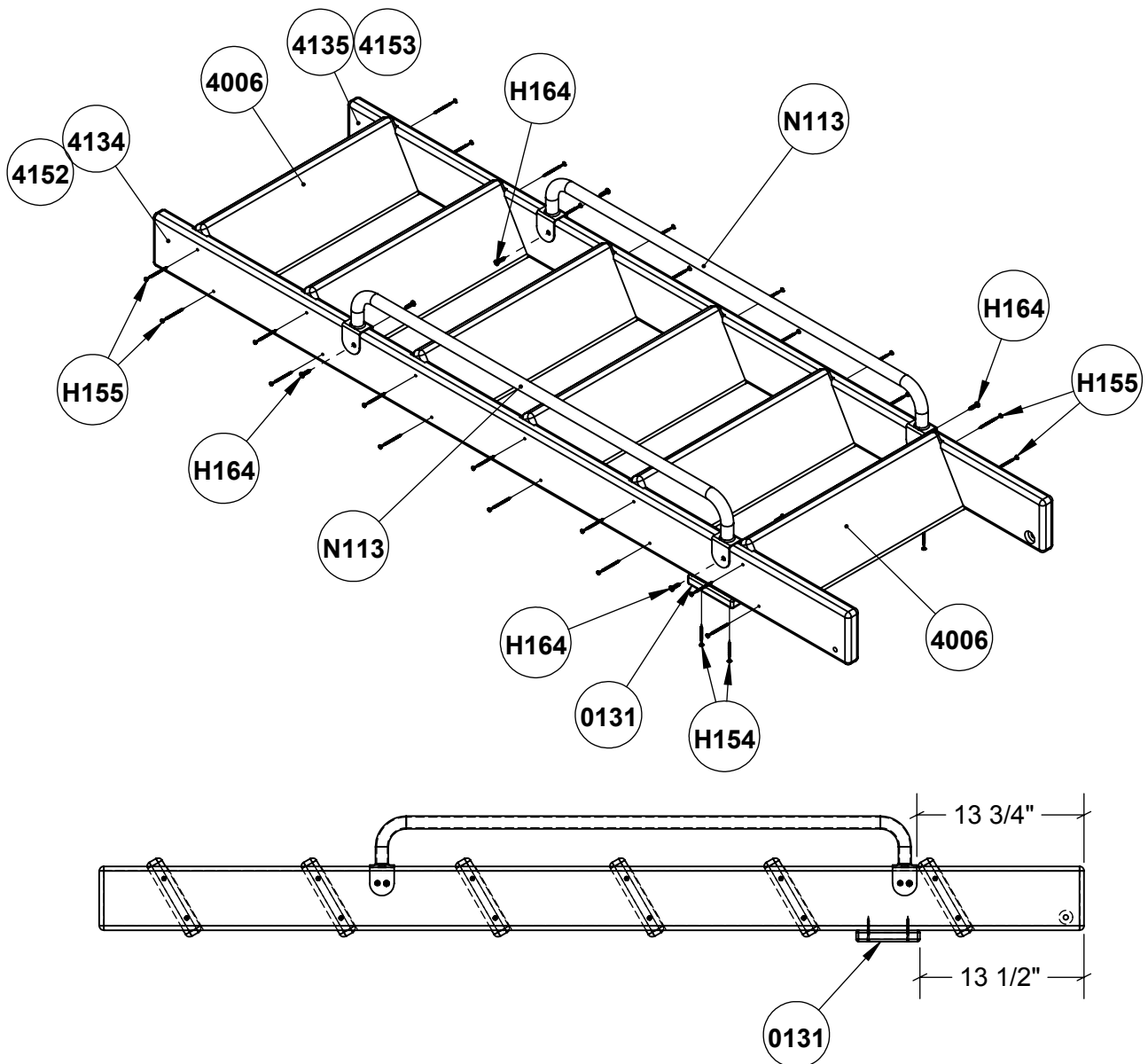


# Step 20

## Step Ladder Assembly

**\*NOTE:** Steps are shown for assembling the Carnival Clubhouse Step Ladder. Processes for assembling the Turbo Carnival Clubhouse Step Ladder will be the same. The Turbo Carnival Clubhouse Step Ladder will use the Left and Right Ladder Legs (4152) (4153).

1. On a flat surface layout the Left and Right Ladder Legs (4134) (4135) (4152) (4153), with ends flush. Center Ladder Steps (4006) in notches of Ladder Legs and attach using #8 Hardware (H155).
2. Attach Ladder Entrapment Board (0131) to the BACK side of Ladder, approximately 13 1/2" down from top of Ladder using #8 Hardware (H154).
3. Measure down approximately 13 3/4" from top of Ladder and attach Ladder Handles (N113) using #14 Hardware (H164).



# Step 21

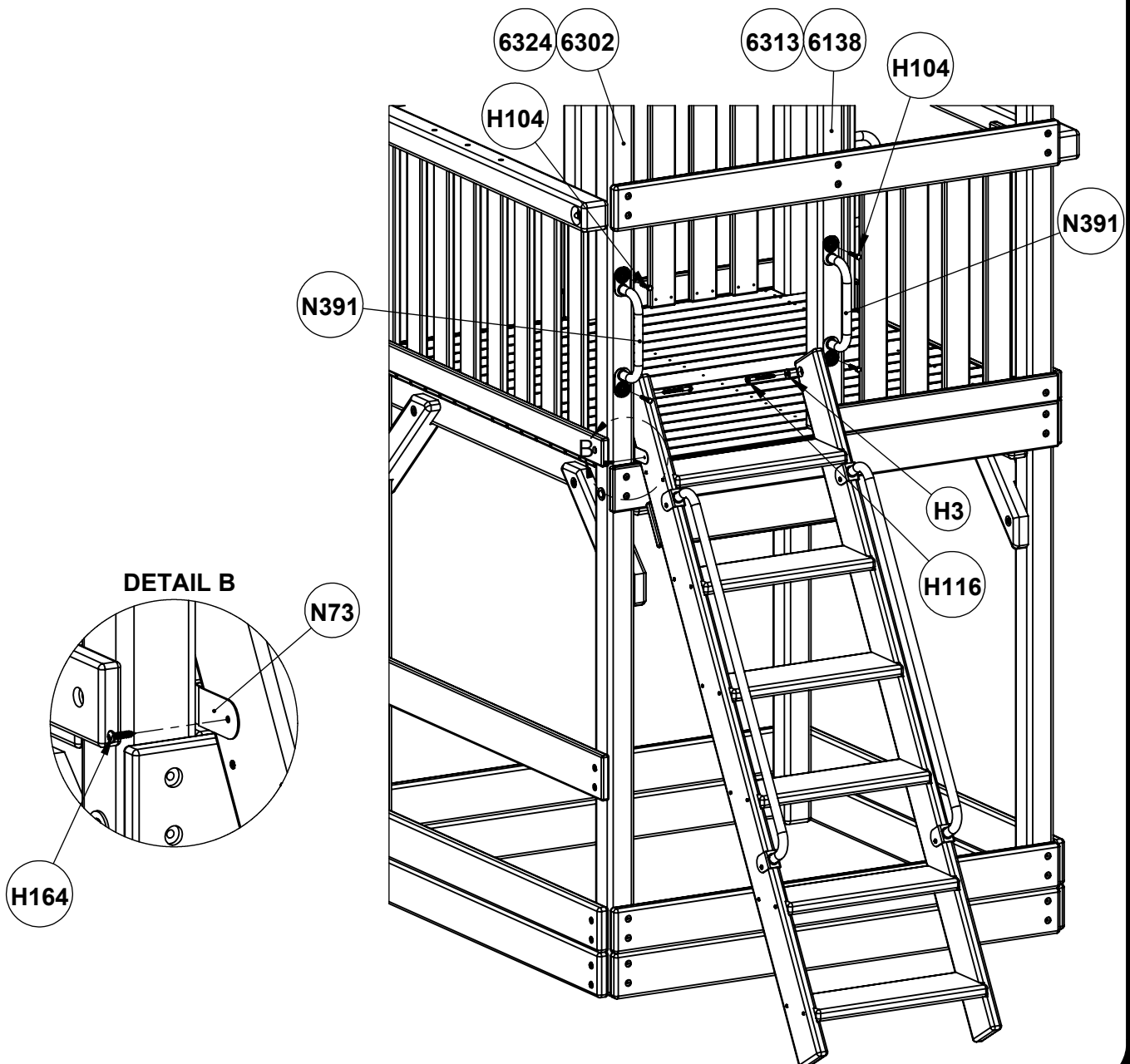
## Step Ladder Installation

**\*NOTE:** Step is shown installing the Carnival Clubhouse Step Ladder. Processes for installing the Turbo Carnival Clubhouse Step Ladder will be the same.

1. Position Ladder in opening and attach to Corner Upright (6302) (6324) and Center Post (6138) (6313) using 3/8" Hardware (H3) (H116).

**\*NOTE:** Top Ladder Step must be flush with top of Deck when properly installed.

2. Position Ladder Bracket (N73) against Corner Upright (6302) (6324) and Ladder Leg in approximate location shown in Detail B. Attach Ladder Bracket using #14 Hardware (H164).
3. Center Safety Handles (N391) on opening and attach to Corner Upright (6302) (6324) and Center Post (6138) (6313) using 5/16" Hardware (H104).





# Step 22

## Rock Wall T-Nut Installation

**\*NOTE:** Do not fully tighten 3/8" Hardware (H124) at this time.

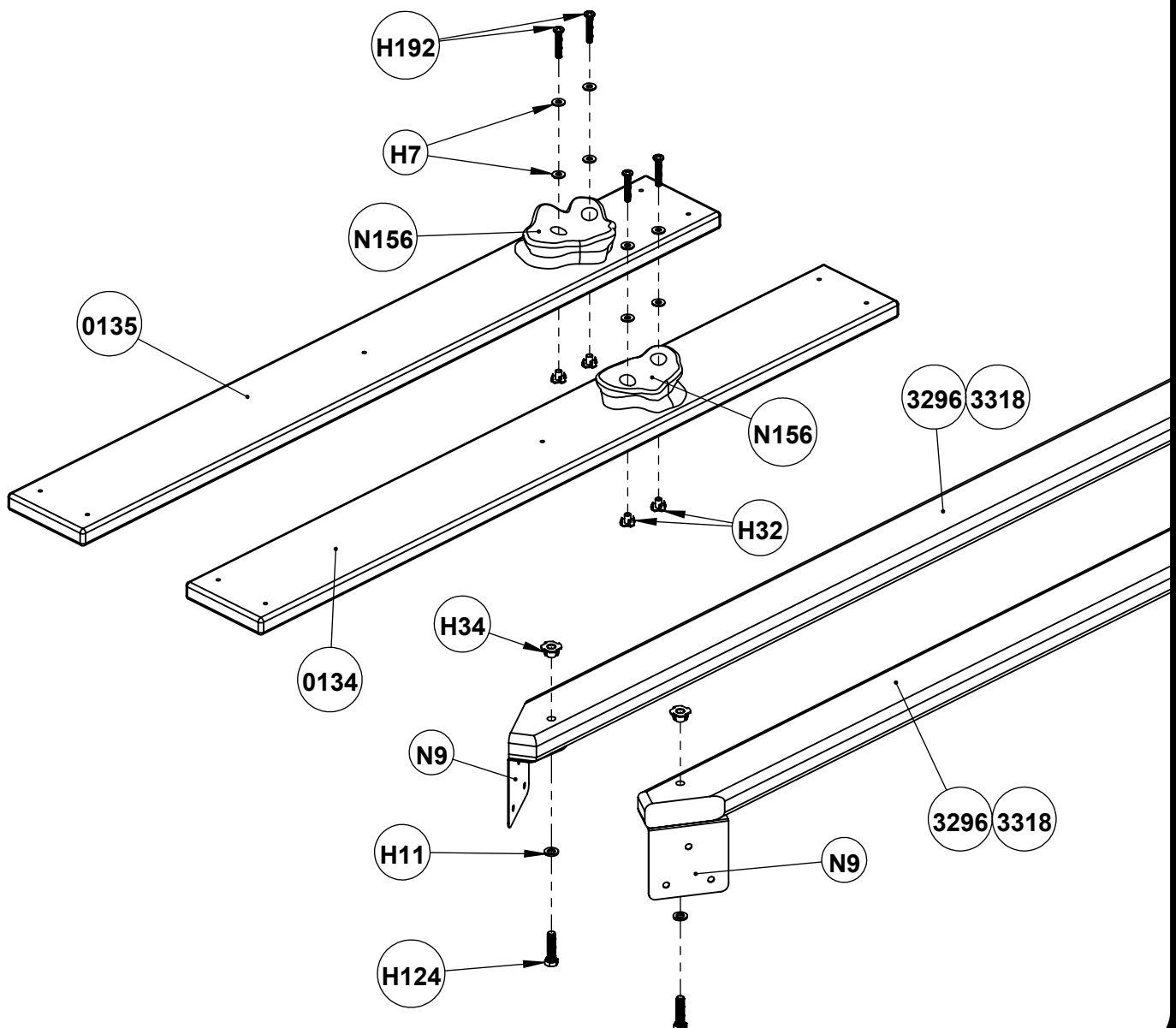
1. Position Rock Wall Legs (3296) (3318) as shown on a flat surface and install 3/8" Hardware (H34). A small hammer or mallet may be needed to pound in 3/8" Hardware (H34).

**\*NOTE:** Rock Wall Legs (3296) (3318) must point in opposite directions when 3/8" Hardware (H34) is installed.

**\*NOTE:** Rock Wall Legs (3318) will be used when assembling Turbo Carnival Clubhouse Rock Wall.

2. Attach 90° Brackets (N9) to other sides of Rock Wall Legs (3296) (3318) using 3/8" Hardware (H11) (H124). Do not fully tighten Hardware at this time.
3. Install 1/4" Hardware (H32) into pre-drill holes in 2 Hole Rock Wall Boards (0134) (0135). Only two Rock Wall Boards are shown. Be sure to complete this process for all Rock Wall Boards.
4. Attach Rocks (N156) to Rock Wall Boards (0134) (0135) using 1/4" Hardware (H7) (H192) and previously installed 1/4" Hardware (H32).

**\*NOTE:** A quantity of four 1/4" Hardware (H7) will be used per Rock.



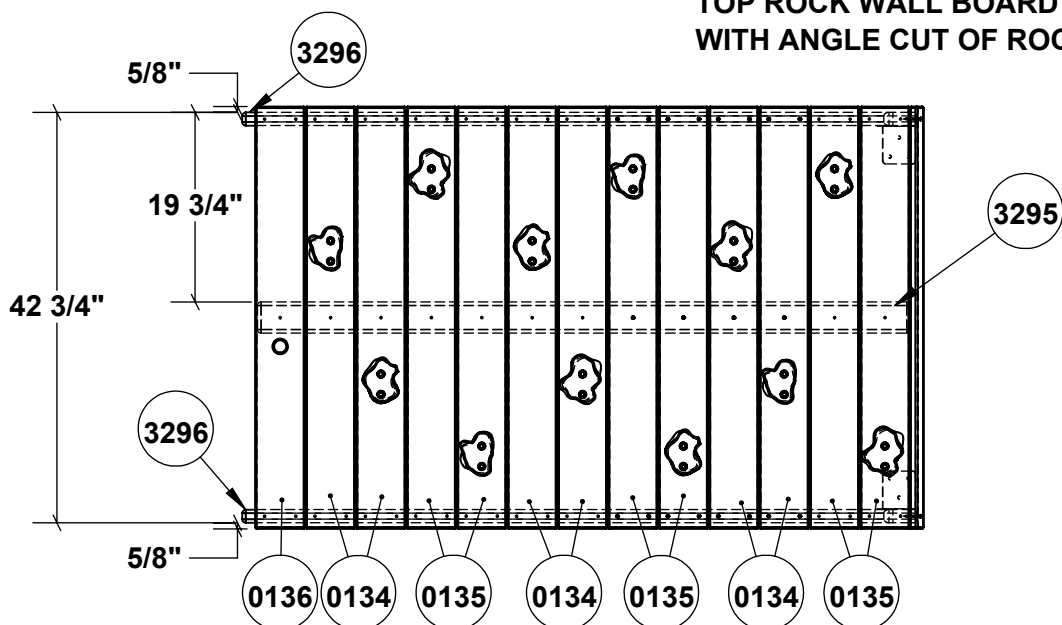
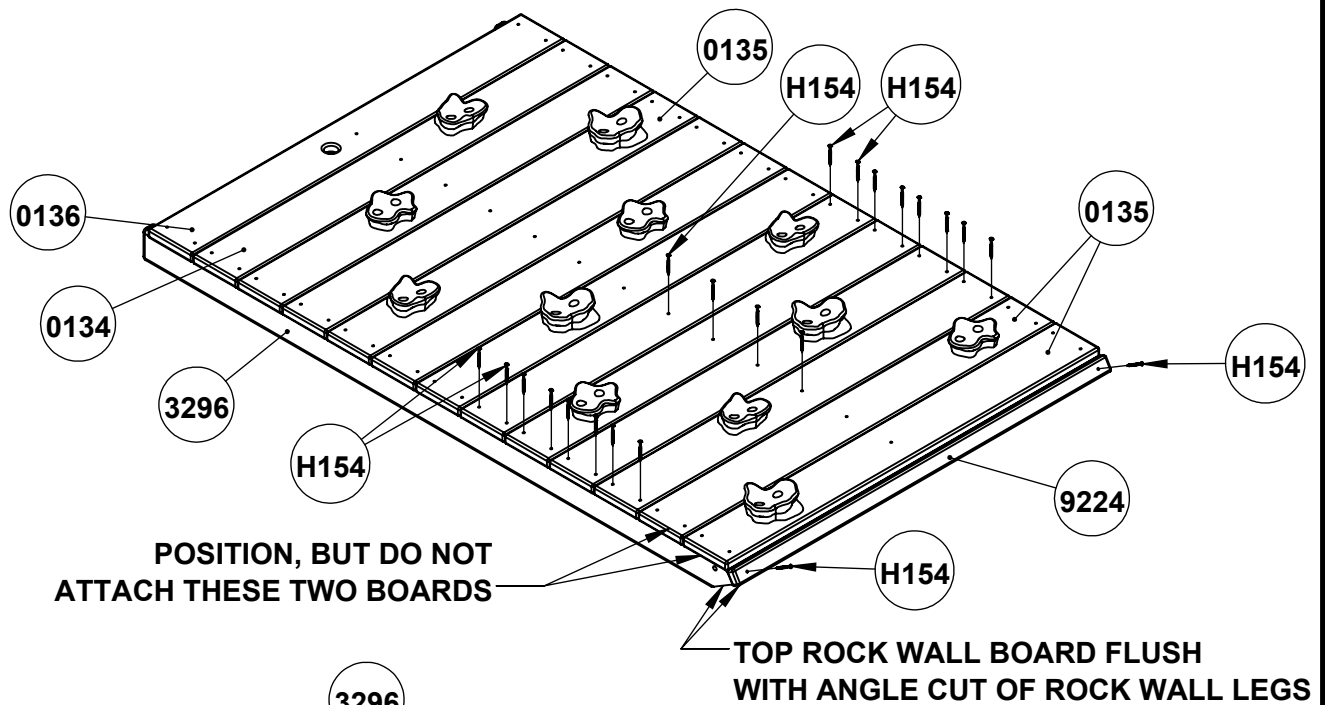
# Step 23

## Carnival Clubhouse Rock Wall Assembly

**\*NOTE:** If not installing Rock Wall Skip to Step 27.

**\*NOTE:** If installing Turbo Carnival Clubhouse Rock Wall, skip to next Step.

1. On a flat surface position Rock Wall Legs (3296) with ends flush, 42 3/4" apart.
2. Attach Top Rock Wall Board (9224) to Rock Wall Legs (3296) using #8 Hardware (H154). Ends of Rock Wall Boards will overhang Rock Wall Legs 5/8" when properly installed.
- \*NOTE: Edge of Top Rock Wall Board must be flush with angle cut of Rock Wall Legs.**
3. Layout Rock Wall Boards (0134) (0135) (0136) in pattern shown, beginning the first Rock Wall Board (0135) pushed up tight to Top Rock Wall Board (9224). Be sure that Rock Wall Boards overhang Rock Wall Legs 5/8" on each side of Rock Wall.
4. Attach Rock Wall Boards (0134) (0135) (0136) to Rock Wall Legs (3296) using #8 Hardware (H154).
- \*NOTE: Do not attach the first two Rock Wall Boards (0135) at this time.**
5. On underside of Rock Wall Boards center and attach Rock Wall Runner (3295) using #8 Hardware (H154). Runner should be pushed up tight to Top Rock Wall Board (9224) when properly installed.



# Step 24

## Turbo Carnival Clubhouse Rock Wall Assembly

**\*NOTE:** If not installing Rock Wall Skip to Step 27.

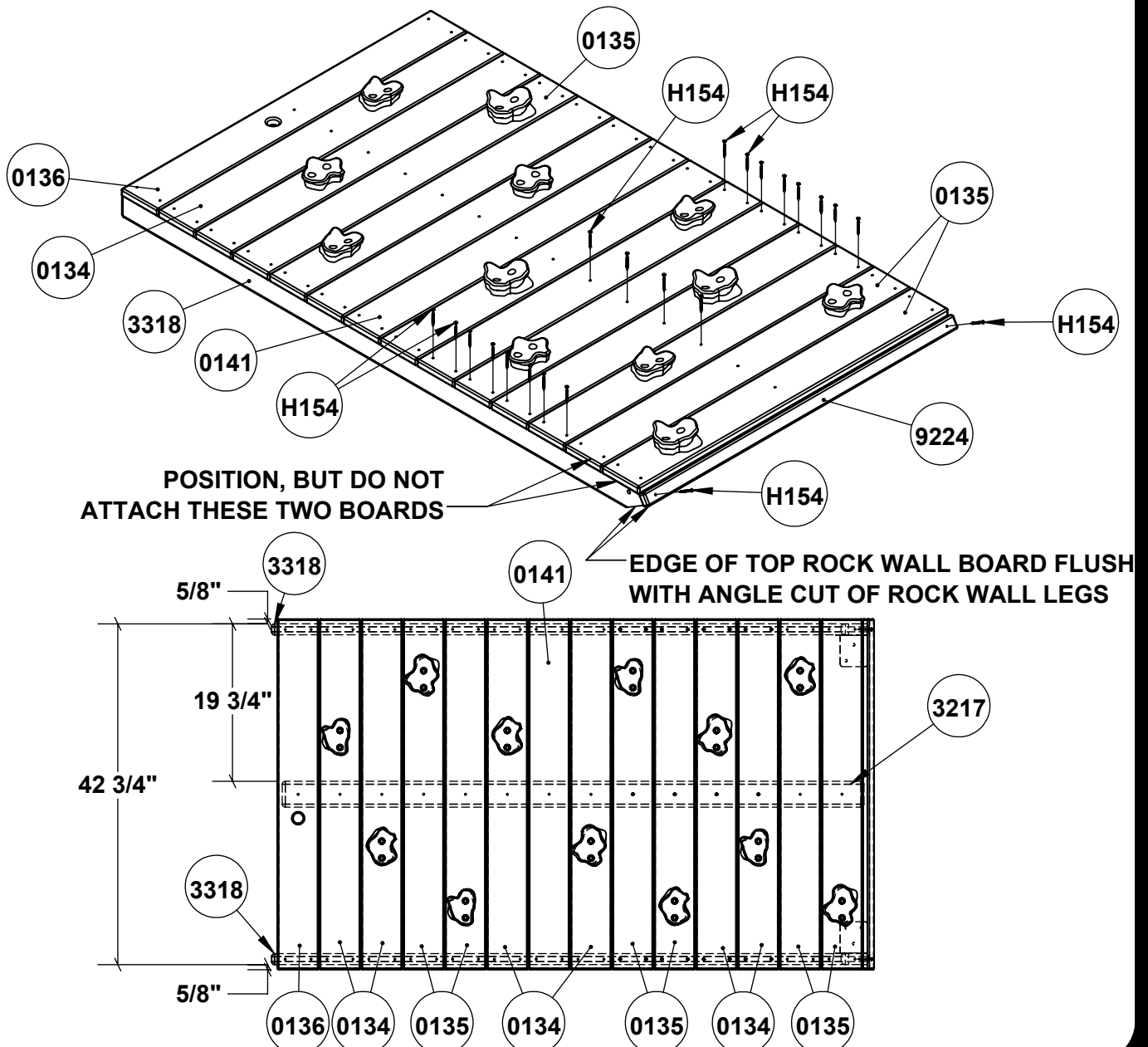
1. On a flat surface position Rock Wall Legs (3318) with ends flush, 42 3/4" apart.
2. Attach Top Rock Wall Board (9224) to Rock Wall Legs (3318) using #8 Hardware (H154). Ends of Rock Wall Boards will overhang Rock Wall Legs 5/8" when properly installed.

**\*NOTE:** Edge of Top Rock Wall Board must be flush with angle cut of Rock Wall Legs.

3. Layout Rock Wall Boards (0134) (0135) (0136) (0141) in pattern shown, beginning the first Rock Wall Board (0135) pushed up tight to Top Rock Wall Board (9224). Be sure that Rock Wall Boards overhang Rock Wall Legs 5/8" on each side of Rock Wall.
4. Attach Rock Wall Boards (0134) (0135) (0136) (0141) to Rock Wall Legs (3296) using #8 Hardware (H154).

**\*NOTE:** Do not attach the first two Rock Wall Boards (0135) at this time.

5. On underside of Rock Wall Boards center and attach Rock Wall Runner (3217) using #8 Hardware (H154). Runner should be pushed up tight to Top Rock Wall Board (9224) when properly installed.



# Step 25

## Rock Wall Installation

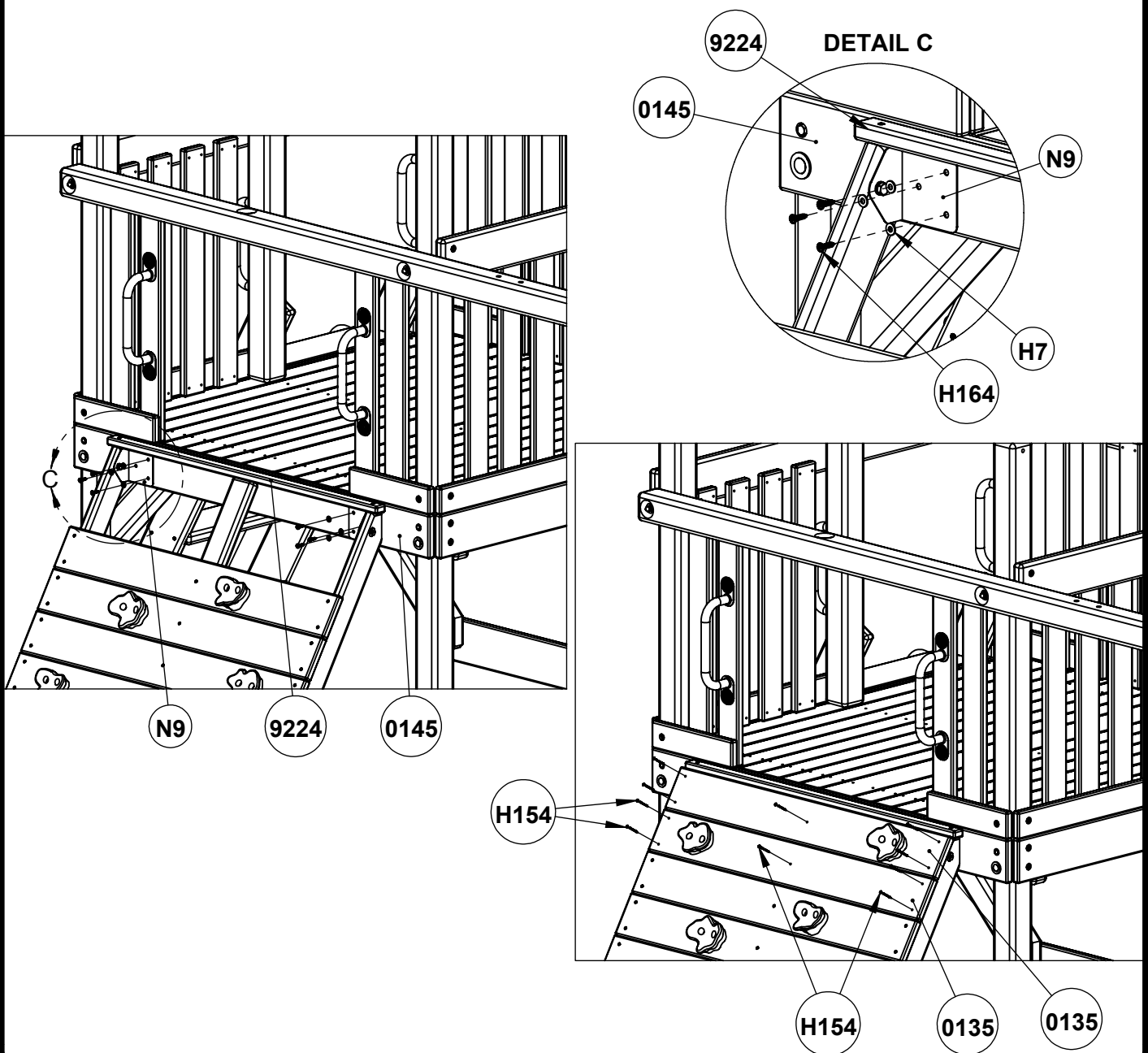
\*NOTE: If not installing Rock Wall skip to next Step.

\*NOTE: Installation processes will be the same for the Carnival and Turbo Carnival Rock Walls.

1. Center assembled Rock Wall against Rock Wall Mounting Facia (0145) and attach through 90° Brackets (N9) using 1/4" Hardware (H7) (H164).

\*NOTE: Top Rock Wall Board (9224) must be flush with top of Deck when properly installed.

2. Attach remaining two Rock Wall Boards (0135) using #8 Hardware (H154).



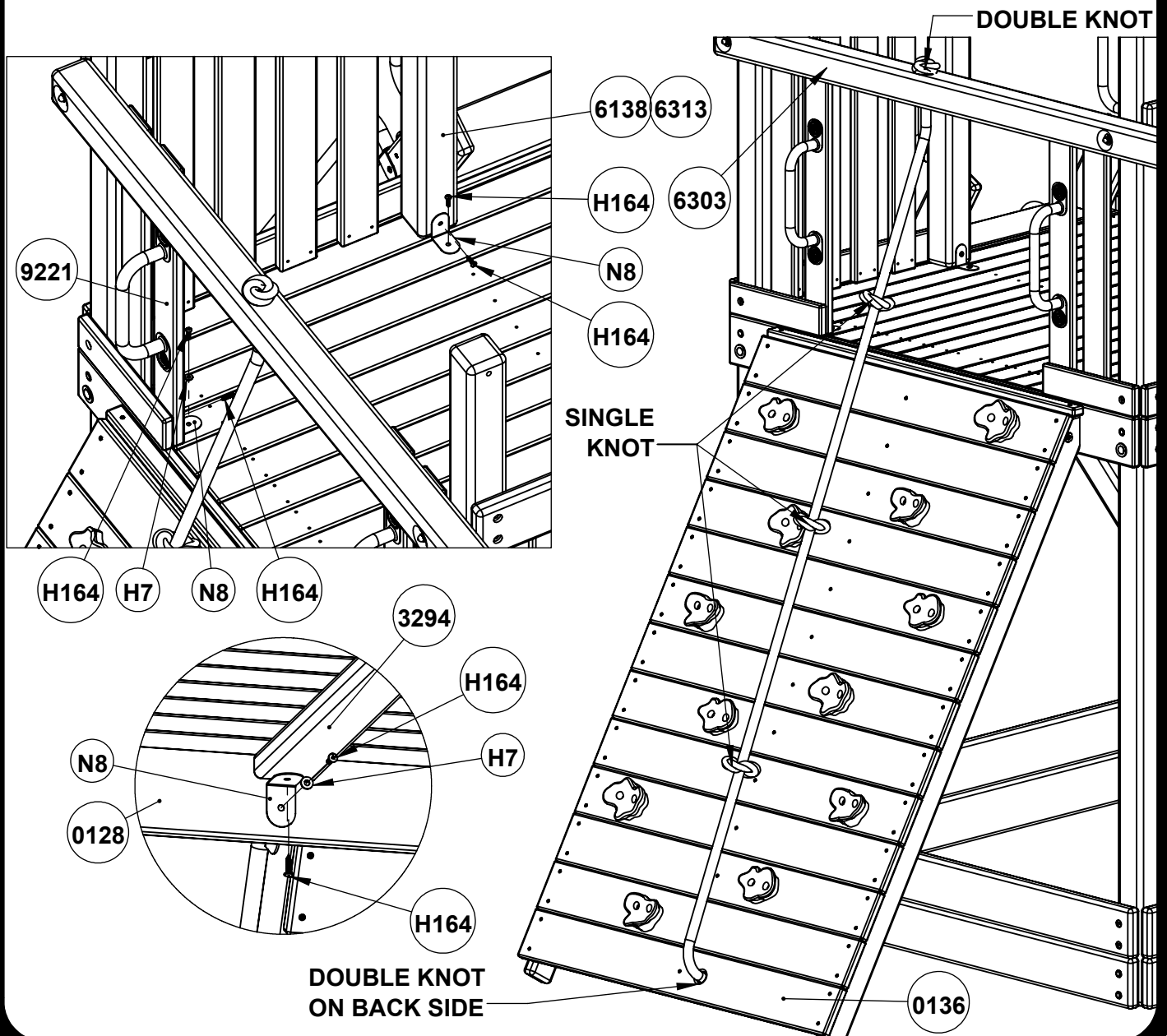
# Step 26

## Rock Wall Rope & 90° Bracket Installation

1. Lace Rope (N60) through Accessory Arm (6303) and secure by tying a double knot. Tie three equally spaced single knots in Rope. Lace Rope through bottom Rock Wall Board (0136) and tie a double knot on back side of Rock Wall Boards.

**\*WARNING:** To prevent the risk of strangulation, three knots must be tied in rope and rope must be secured at both ends. Rope must be tight enough that it cannot be looped back on itself, and no more than 12" of rope should be left after tying double knots at the top and bottom of the rope.

2. Position 90° Brackets (N8) against back of Center Posts (6138) (6313) and down on Deck. Attach 90° Brackets using 1/4" Hardware (H164).
3. On underside of Deck position 90° Brackets (N8) against 4 Hole Facias (0128) and up against Deck Runner (3294). Attach Brackets using 1/4" Hardware (H7) (H164).
4. If installing Rock Wall position 90° Brackets (N8) down on Deck and against backs of Rail Uprights with Handle Holes (9221) . Attach Brackets using 1/4" Hardware (H7) (H164).



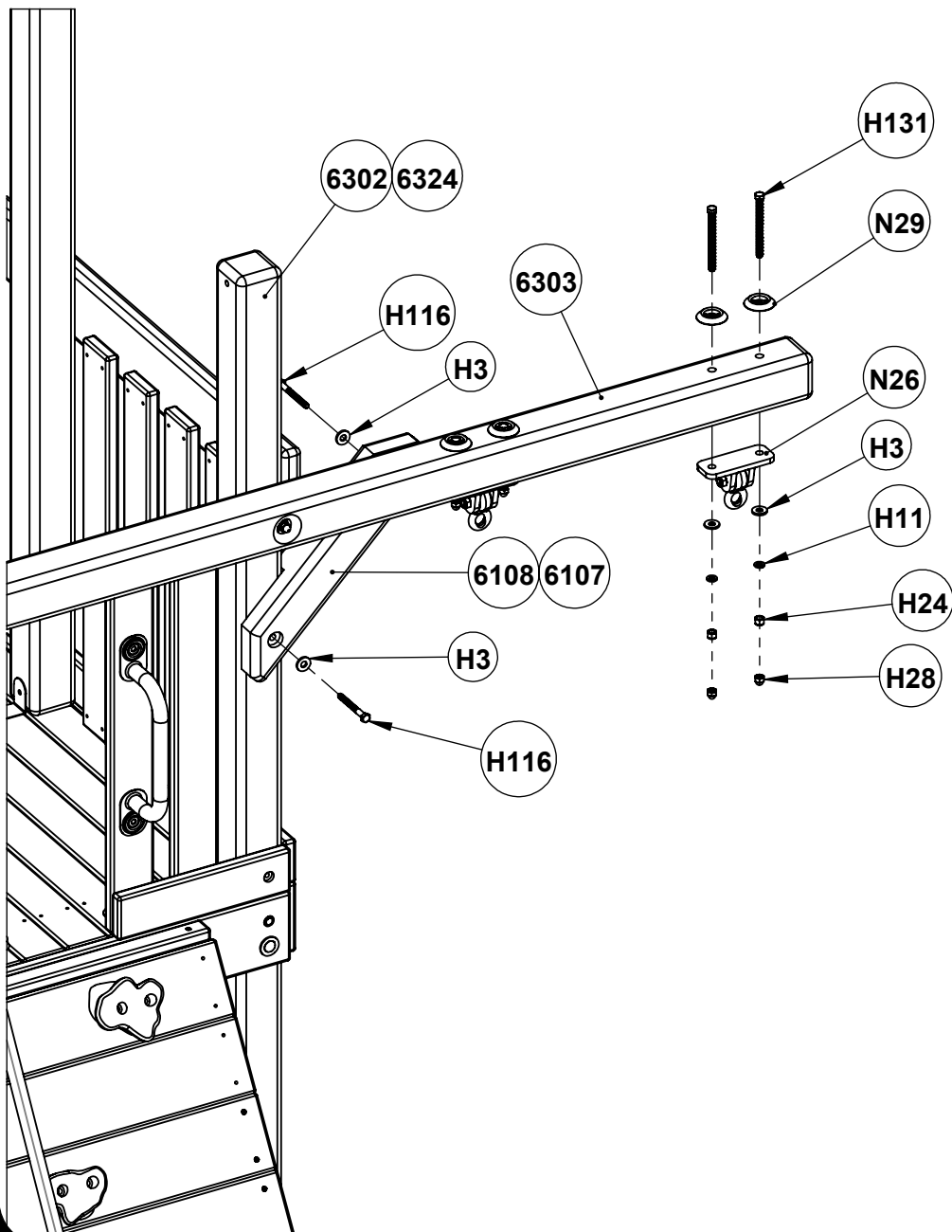
# Step 27

## Slim Bracket & Swing Hanger Installation

\*NOTE: If Accessory Arm (6303) was installed off the back of the set Slim Bracket (6107) we be used.

\*NOTE: Adjoining faces of Slim Brackets, Corner Uprights & Accessory Arm should have no gaps when installed.

1. Position Slim Bracket (6108) (6107) against Corner Upright (6302) (6324) and Accessory Arm (6303). Attach Slim using 3/8" Hardware (H3) (H116).
2. Attach Swing Hangers (N26) to Accessory Arm (6303) using 3/8" Hardware (H3) (H11) (H24) (H28) (H131) and 3/8" Bolt Cups (N29).
3. Hang Trapeze Bar (N336) to Swing Hangers (N26) using Spring Clips (N90).



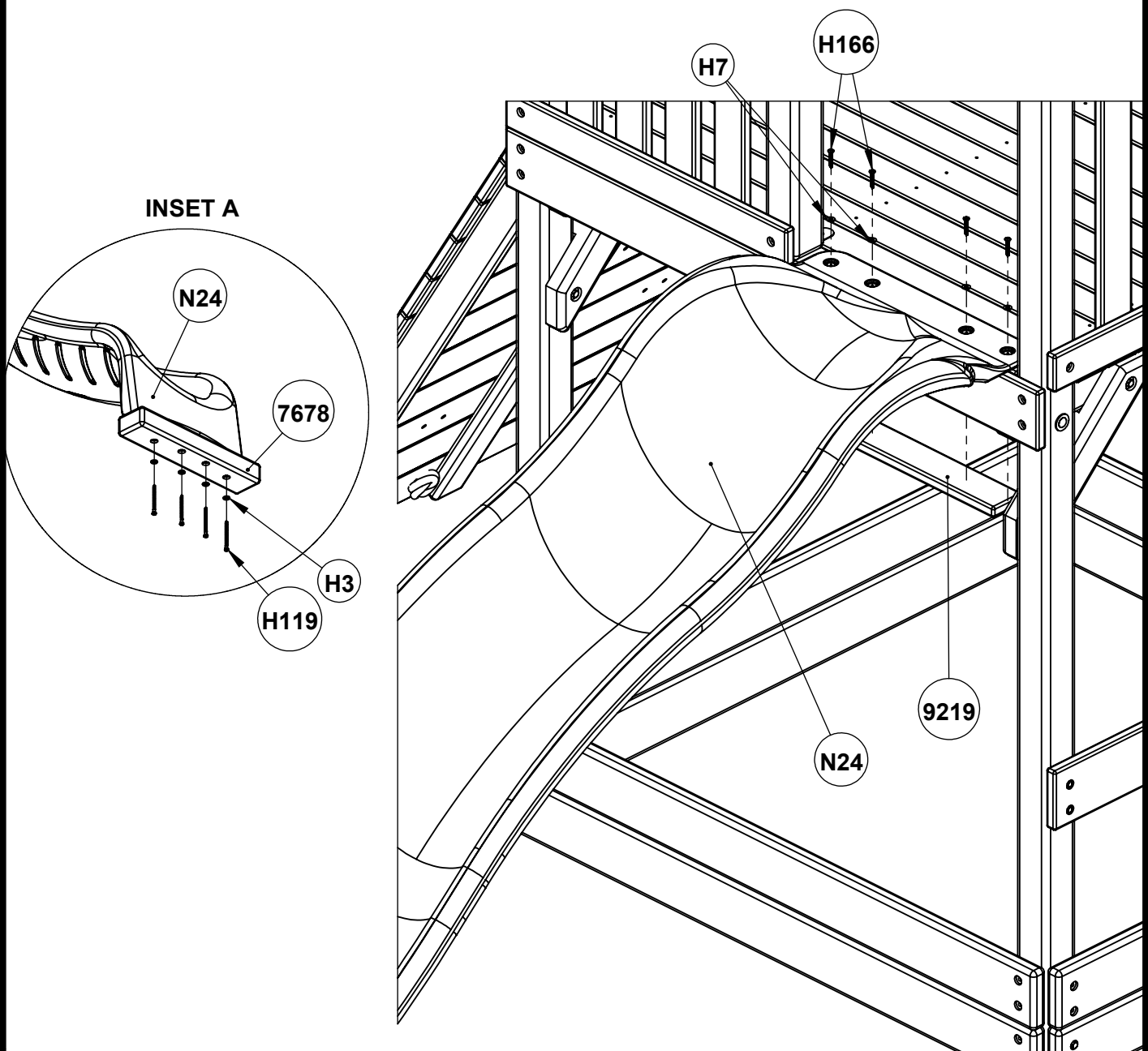
# Step 28

## 10' Wave Slide Installation

**\*NOTE:** 10' Wave Slide (N24) can only be installed on the Carnival Clubhouse.

1. Attach 10' Wave Slide Block (7678) to bottom of 10' Wave Slide (N24) using 3/8" Hardware (H3) (H119) (as shown in Inset A).
2. Center Slide (N24) in opening and attach through Deck and to Slide Filler Board using 1/4" Hardware (H7) and #14 Hardware (H166).

**\*NOTE:** If #14 Hardware (H166) do not go into Slide Filler Board (9219) far enough to hold it in place, do not install 1/4" Hardware (H7).



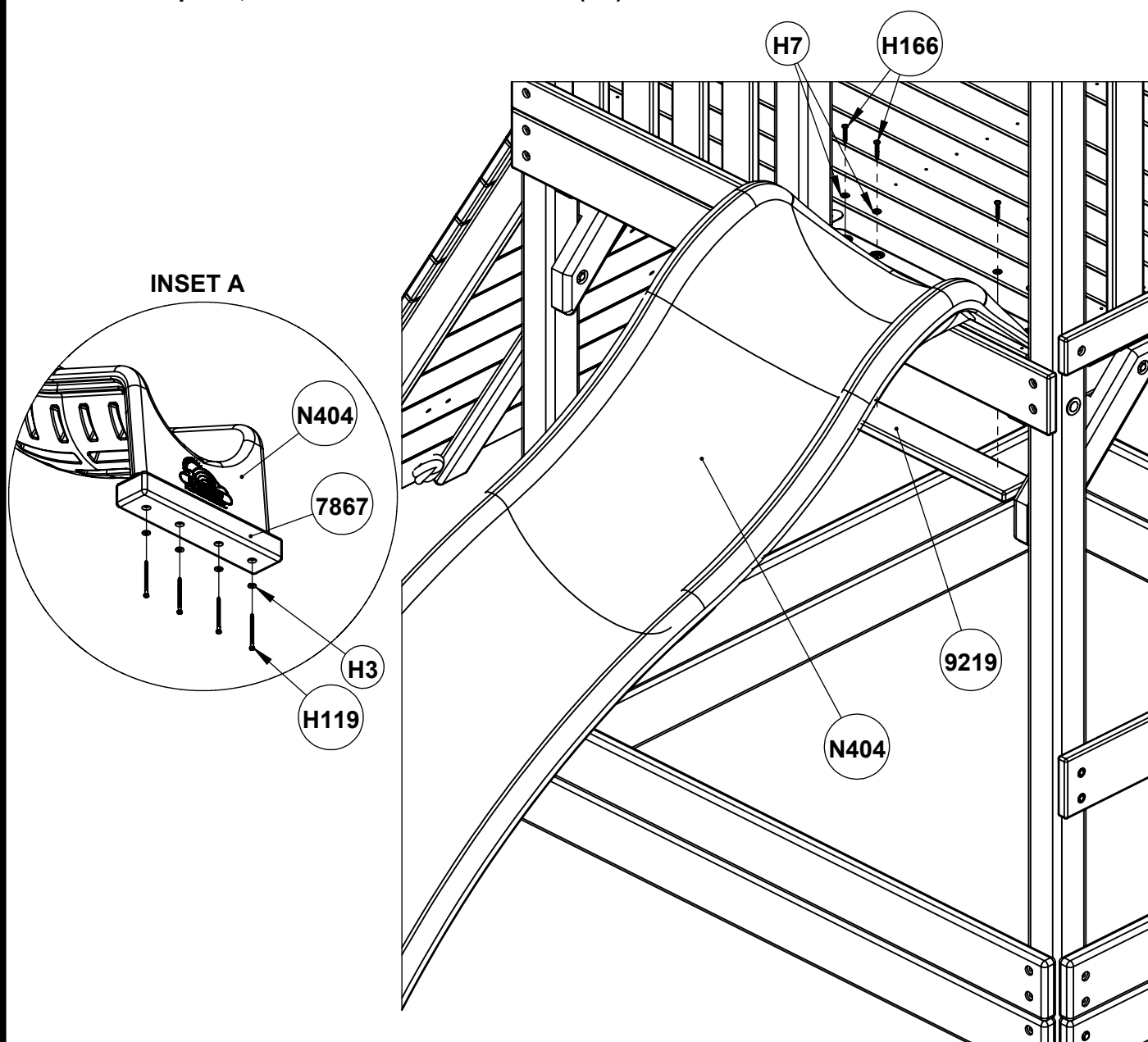
# Step 29

## 10.5' Wave Slide Installation

**\*NOTE:** If installing the 10.5' Wave Slide (N404) on the Turbo Carnival Clubhouse the 10.5' Wave Slide Block (7867) will need to be installed (as shown in Inset A). If installing the 10.5' Wave Slide on the Carnival Clubhouse, the 10.5' Wave Slide Block will not have to be installed.

1. Attach 10.5' Wave Slide Block (7867) to bottom of 10.5' Wave Slide (N404) using 3/8" Hardware (H3) (H119) (as shown in Inset A), if installing Slide on Turbo Carnival Clubhouse.
2. Center Slide (N404) in opening and attach through Deck and to Slide Filler Board using 1/4" Hardware (H7) and #14 Hardware (H166).

**\*NOTE:** If #14 Hardware (H166) do not go into Slide Filler Board (9219) far enough to hold it in place, do not install 1/4" Hardware (H7).







# Step 31

## 11' Scoop Slide Installation

1. Attach Slide Rails **(3984)** to Slide **(N87)** using 3/8" Hardware **(H3) (H11) (H21) (H28) (H46)** in locations shown.
2. Attach Slide Brace **(7091)** to the front of both Slide Legs **(7006) (7007)** using 3/8" Hardware **(H3) (H116)**. Slide Brace **(7091)** must be 7" up from the bottom of the Slide Legs **(7006) (7007)**.
3. Attach Left Slide Leg **(7006)** and Right Slide Leg **(7007)** to Slide **(N87)** using 3/8" Hardware **(H3) (H11) (H17) (H28) (H50)** and 1/2" Hardware **(H4)**.
4. Attach Slide Blocks **(6952)** to the Slide **(N87)** through Slide Rails **(3984)** using 1/2" Hardware **(H4)** and 3/8" Hardware **(H3) (H11) (H17) (H28) (H53)**. Be sure to position Slide Blocks **(6952)** as shown with counter bored holes back.

**\*NOTE: Slide should rest on Deck when properly installed.**

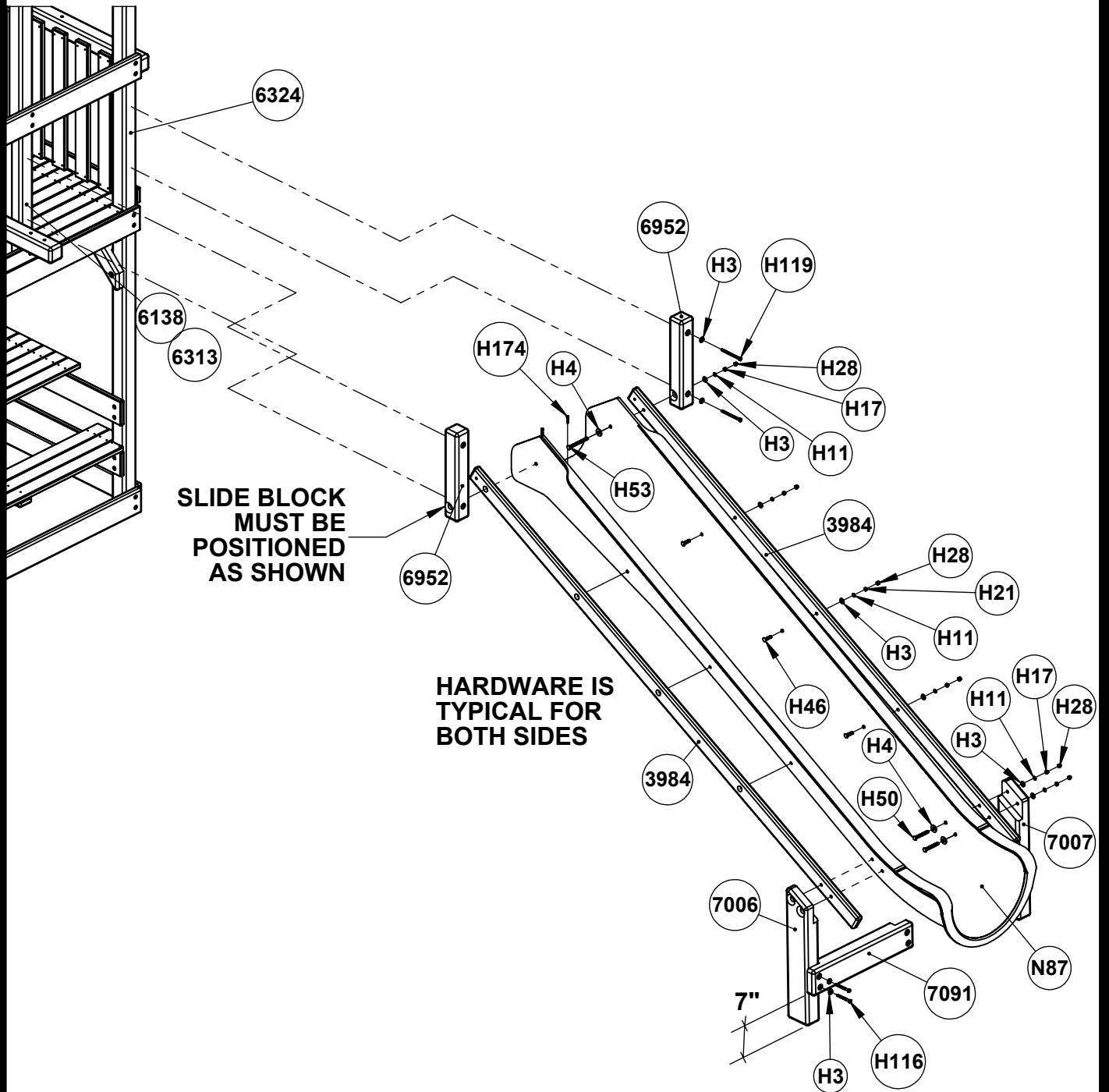
5. Attach Slide Assembly to Corner Upright **(6324)** and Center Post **(6138) (6313)** using 3/8" Hardware **(H3) (H119)**. Slide should rest on Deck.
6. Finish attaching Slide **(N87)** to Deck using #12 Hardware **(H174)**.

*Continued on next page:*

# Step 31

## 11' Scoop Slide Installation

Continued from previous page



# Step 32

## Swing Beam Installation

**\*NOTE:** Processes for mounting the Swing Beam will be the same for both Carnival & Turbo Carnival Clubhouses unless otherwise noted.

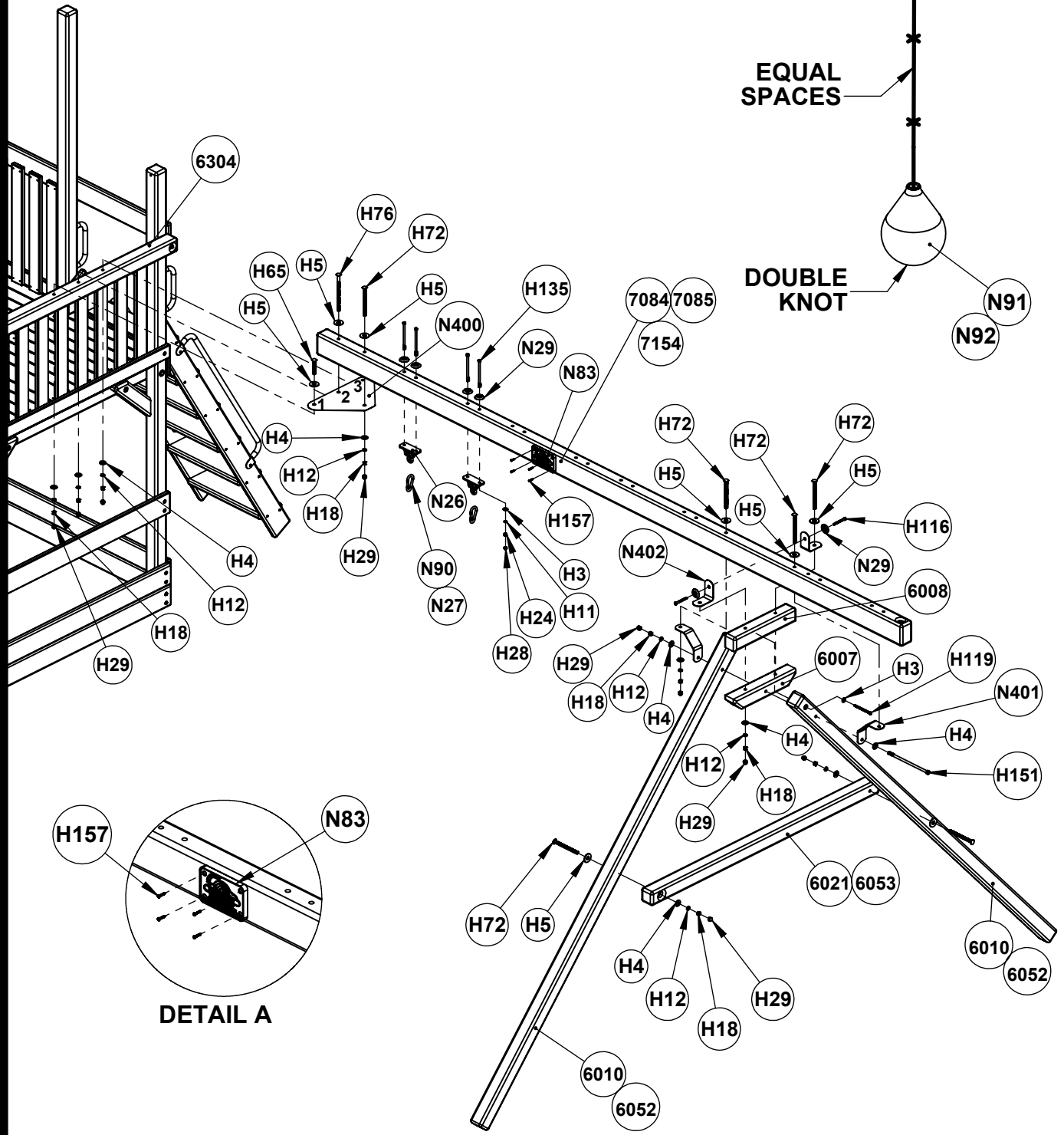
1. Attach Swing Hangers (N26) to Swing Beam (7084) (7085) (7154) using 3/8" Hardware (H3) (H11) (H24) (H28) (H135) and 3/8" Bolt Cup (N29).  
**\*SUGGESTION:** Use a locking pliers to hold on to Hex Head Bolts (H135).
2. Position Rainbow Plaque (N83) in the approximate position shown and attach to Swing Beam using #10 Hardware (H157) (as shown in Detail A).
3. Bolt together Lower A-Frame Block (6007), Upper A-Frame Block (6008), and both 90° Brackets (N402) using 1/2" Hardware (H4) (H12) (H18) (H29) (H72) and 3/4" Hardware (H5).
4. Attach A-Frame Legs (6010) (6052) to A-Frame Block assembly using both 45° Brackets (N401) and 1/2" Hardware (H4) (H12) (H18) (H29) (H151).  
**\*NOTE:** A-Frame Legs (6052) will be used for the Turbo Carnival Clubhouse  
**\*NOTE:** Lay assembly on the ground with A-Frame Legs (6010) (6052) pointing in opposite directions. Do not tighten hardware at this time.
5. Place Swing Beam Assembly in position between the 90° Brackets (N402) and attach using 1/2" Hardware (H4) (H12) (H18) (H29) (H72) and 3/4" Hardware (H5) through both 45° Brackets (N401).
6. Attach both 90° Brackets (N402) to the Swing Beam (7084) (7085) (7154) using 3/8" Hardware (H116) and 3/8" Bolt Cup (N29).
7. Position Swing Beam Plate (N400) over the holes in the Top Joist with Swing Holes (6304) and attach using 1/2" Hardware (H4) (H12) (H18) (H29) (H65) and 3/4" Hardware (H5) through holes 1 and 3 only.  
**\*NOTE:** Do not tighten Hardware at this time.
8. Lift Swing Beam assembly into position on top of the Swing Beam Plate (N400) and attach using 1/2" Hardware (H4) (H12) (H18) (H29) (H72) (H76) and 3/4" Hardware (H5).  
**\*NOTE:** For ease of installation, insert Carriage Bolt (H76) through the Swing Beam (7084) (7085) (7154), and then insert Carriage Bolt (H72). Do not tighten hardware at this time.
9. Lift Swing Beam assembly up until A-Frame Legs hold Swing Beam in a level position.  
**\*CAUTION:** Legs will close inward as Swing Beam is lifted into position.  
**\*SUGGESTION:** Use two people to lift Swing Beam assembly.  
**\*CAUTION:** Legs are very unstable until Cross Member is installed.
10. Tighten Hex Head Bolt (H151) that goes through A-Frame Legs (6010) (6052) and A-Frame Block assembly from #3 and all hardware that goes through Swing Beam Plate (N400) at this time.
11. Hold A-Frame Cross Member (6021) (6053) in a level position against A-Frame Legs, and drill through A-Frame Legs (6010) (6052) using a 9/16" drill bit. Attach Cross Member (6021) (6053) using 1/2" Hardware (H4) (H12) (H18) (H29) (H72) and 3/4" Hardware (H5).
12. Attach A-Frame Legs (6010) (6052) to A-Frame Blocks using 3/8" Hardware (H3) (H119).
13. Attach Swing options to Swing Hangers (N26) using Spring Clips (N27) (N90).
14. Insert Rope through end hole in Swing Beam (7084) (7085) and tie a double knot. Tie single knots in three places. Insert bottom of Rope through Swing Disk (N91) or Rope Buoy (N92) and tie a double knot.
15. Inflate Buoy Ball using Buoy Ball inflator.  
**\*NOTE:** Swings and Swing Disk or Buoy Ball should be a minimum of 8" off the ground.

...continued on next page

# Step 32

## Swing Beam Installation

Continued from previous page:



DETAIL A

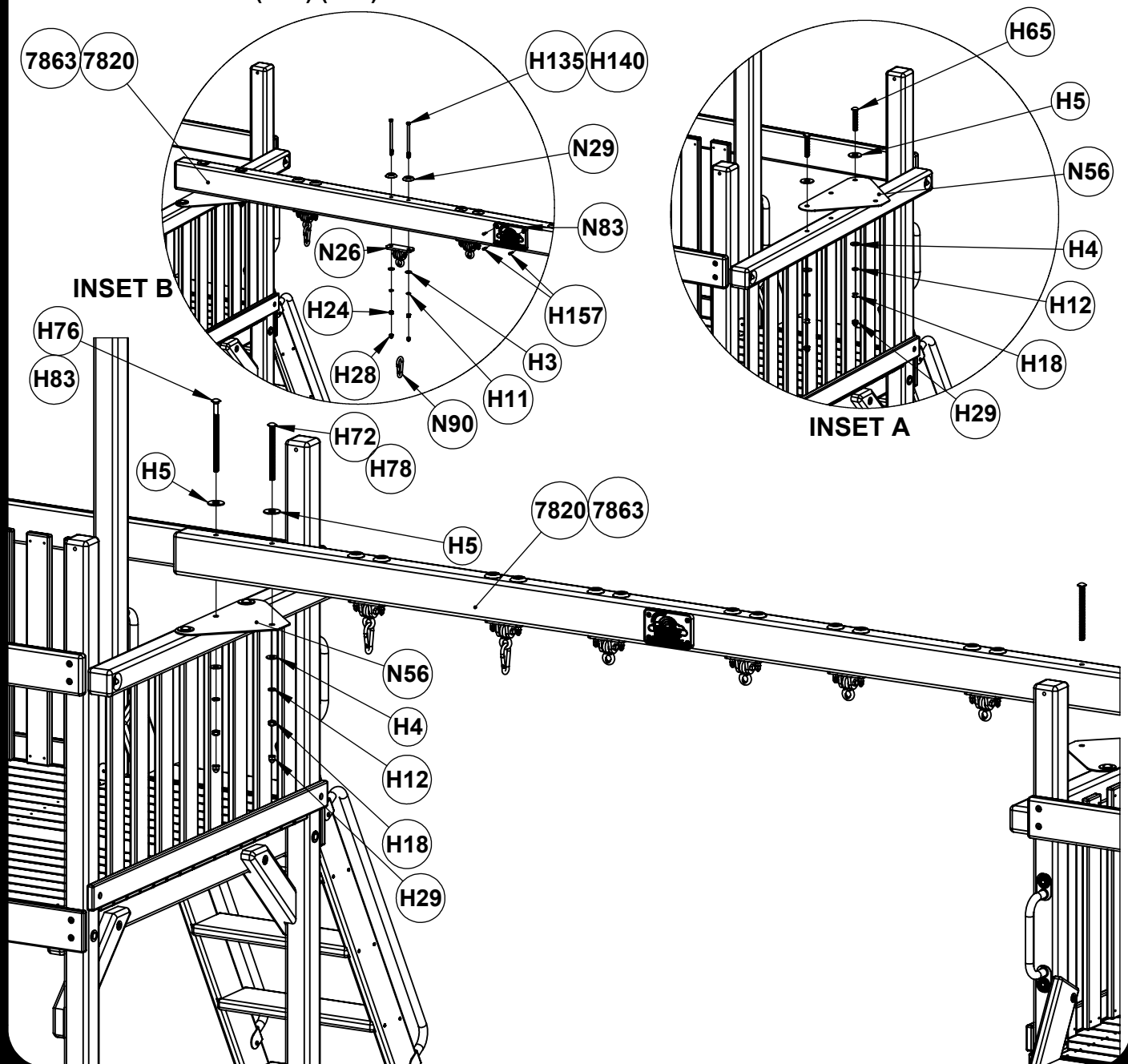
# Step 40

## Dual Attach Swing Beam Installation

\*NOTE: Deck Heights of the two sets that are being connected must be the same.

\*NOTE: Installation processes will be the same for the 2 Position Dual Attach Swing Beam (7863).

1. Attach Swing Hangers (N26) to Swing Beam (7820) (7863) using 3/8" Hardware (H3) (H11) (H24) (H28) (H135) and 3/8" Bolt Cup (N29) (as shown in Inset B).  
\*NOTE: If installing Swing Beam Header (6925), line up holes on Swing Beam with holes on Header and use 3/8" Hardware (H140) instead of 3/8" Hardware (H135) to attach Swing Hangers.
2. Center Plaque (N83) on Swing Beam (7820) (7863) and attach using #10 Hardware (H157).
3. Attach Swing Beam Plates (N56), on each set, to Top Joists w/ Swing Holes using 3/4" Hardware (H5) and 1/2" Hardware (H4) (H12) (H18) (H29) (H65).
4. Lift up the Swing Beam (7820) (7863) into position on top of both Swing Beam Plates (N56) and attach using 3/4" Hardware (H5) and 1/2" Hardware (H4) (H12) (H18) (H29) (H72) (H76).  
\*NOTE: If installing Swing Beam Header (6925) use 1/2" Hardware (H78) (H83) instead of 1/2" Hardware (H72) (H76).



# Step 41

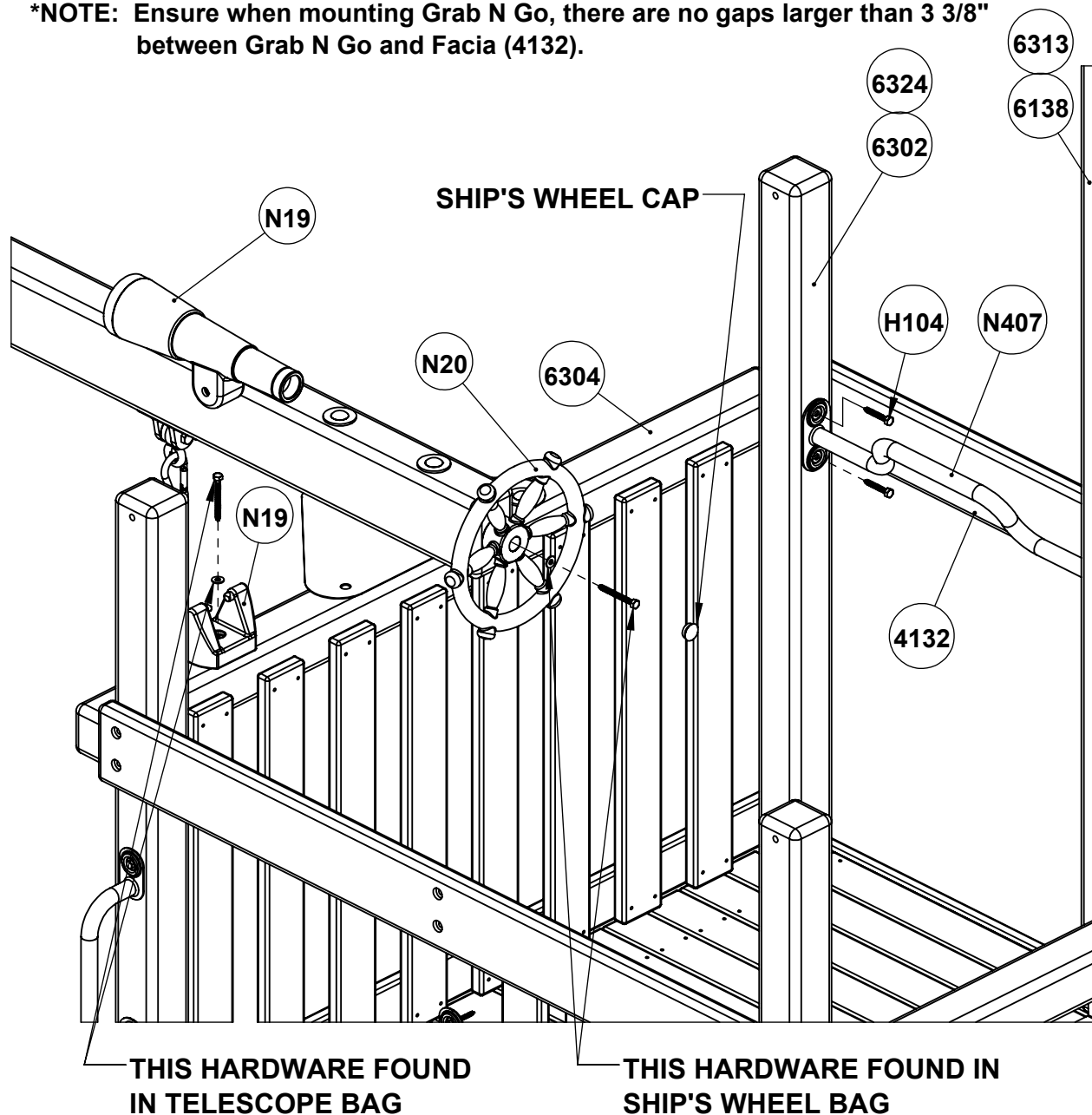
## Ship's Wheel & Telescope Installation

**\*NOTE:** Do not over-tighten hardware. Ship's Wheel (N20) and Telescope Base (N19) should rotate freely.

**\*NOTE:** Pre-drill 1/8" holes for lag bolts in this Step.

1. Center Ship's Wheel (N20) on the end of the Swing Beam and attach using hardware provided in the Ship's Wheel bag. Snap Ship's Wheel Cap into Ship's Wheel.
2. Center Base of Telescope (N19) on Top Joist w/ Swing Holes (6304) and attach using hardware provided in the Telescope bag. Snap Telescope (N19) onto Base.
3. Position Grab N Go Bar (N407) against Corner Upright (6302) (6324) and Center Post (6138) (6313) and attach using 5/16" Hardware (H104).

**\*NOTE:** Ensure when mounting Grab N Go, there are no gaps larger than 3 3/8" between Grab N Go and Facia (4132).

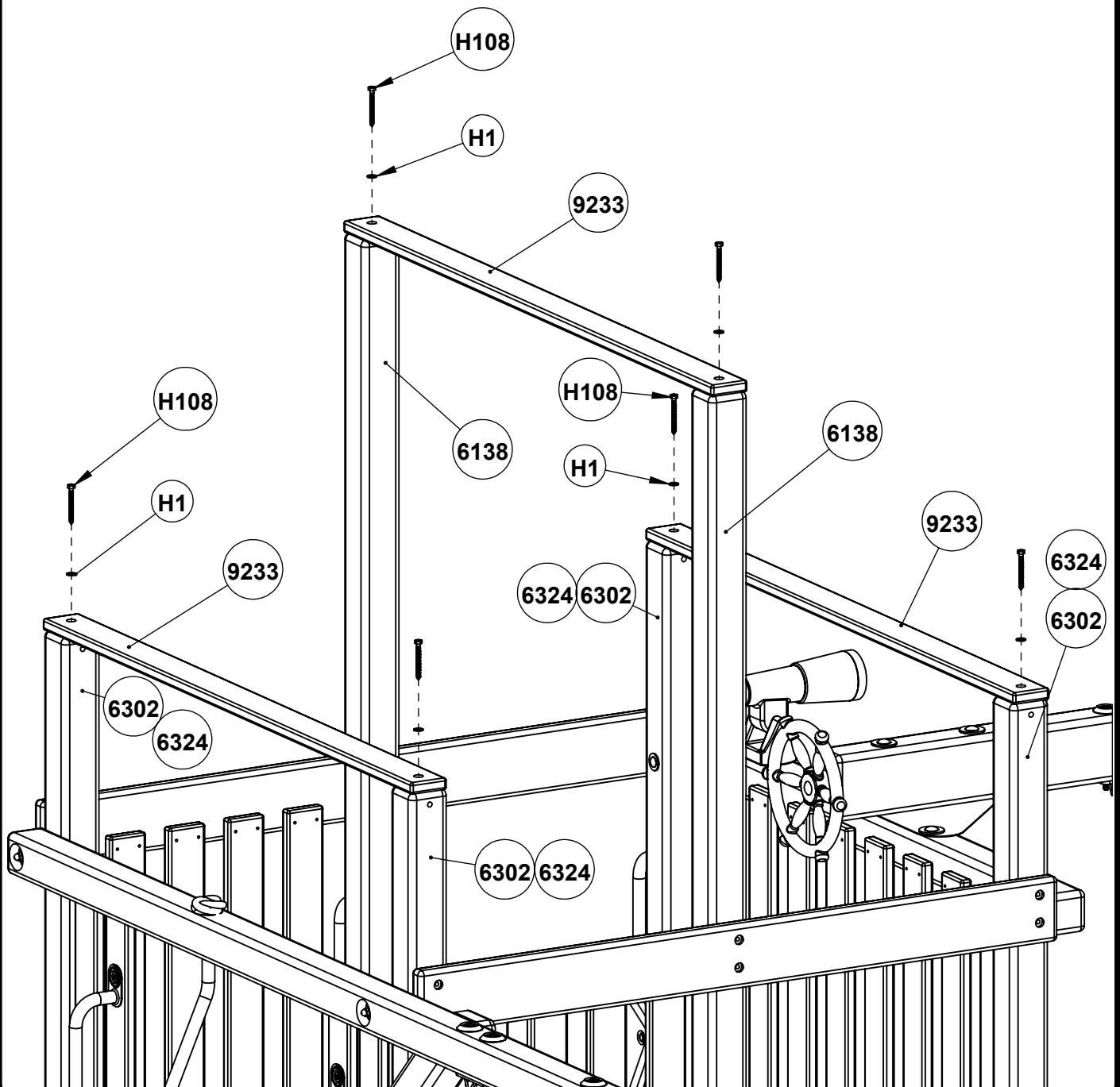


# Step 42

## Tarp Board Installation

**\*NOTE:** If installing Wood Roof skip to Step 44.

1. Position Tarp Boards (9233) on top of Corner Posts (6302) (6324) and Center Posts (6138).
2. Attach Tarp Boards (9233) to Corner Posts (6302) (6324) and Center Posts (6138) using 1/4" Hardware (H1) and 5/16" Hardware (H108).





# Step 43

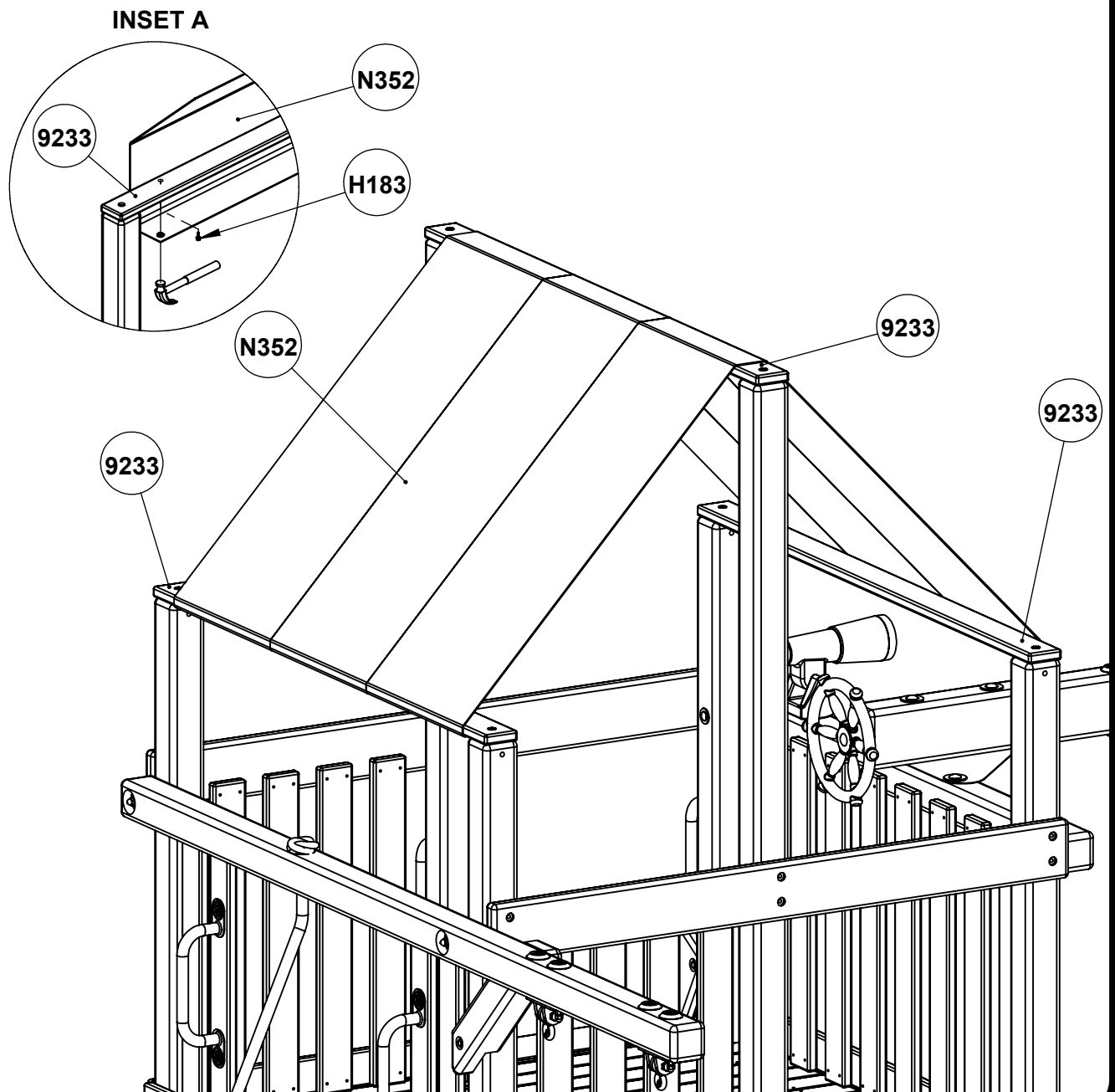
## Tarp Installation

**\*NOTE: Snap Screws (H183) are rolled up in the Tarp.**

1. Evenly spread Tarp (N352) over the top of the top Tarp Board (9233). Female ends of the tarp snaps should face in towards each other when the tarp is freely hanging.
2. Wrap Tarp (N352) around the bottom side of the lower Tarp Boards (9233). Starting with the middle tarp snaps, work your way out gently tapping each tarp snap to leave an indentation in the wood.

**\*NOTE: Ensure Tarp (N352) is pulled tight across Tarp Boards (9233) when marking Snap Screw locations.**

3. Install Snap Screws (H183) in the center of the indentations.
4. Snap the Tarp (N352) to the Snap Screws (H183).
5. Repeat #'s 2, 3 and 4 for the other side. Ensure Tarp (N352) is pulled tight when marking Snap Screw locations.

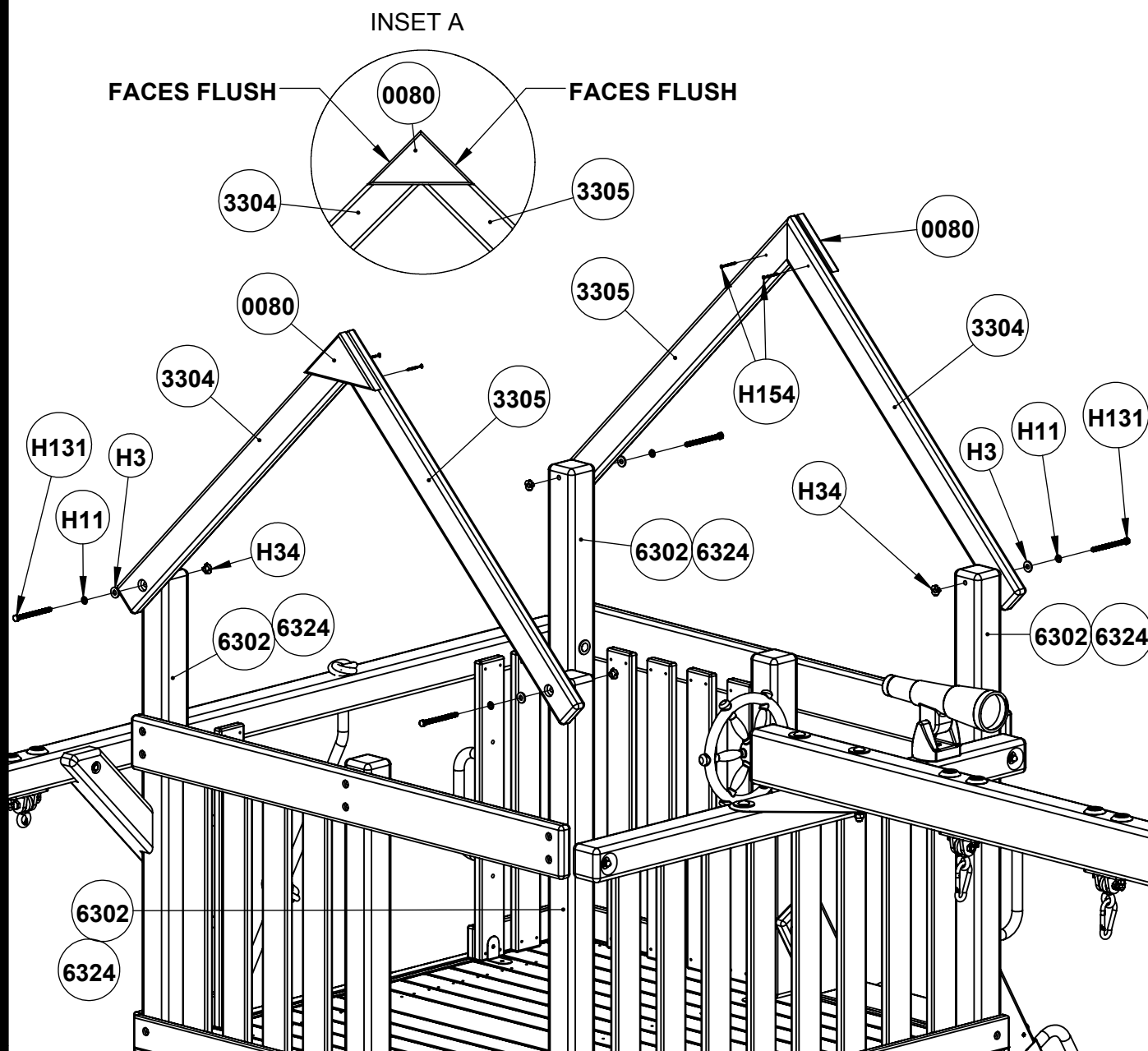


# Step 44

## Wood Roof Installation

**\*SUGGESTION:** Have a helper hold Roof Supports (3304) (3305) in place.

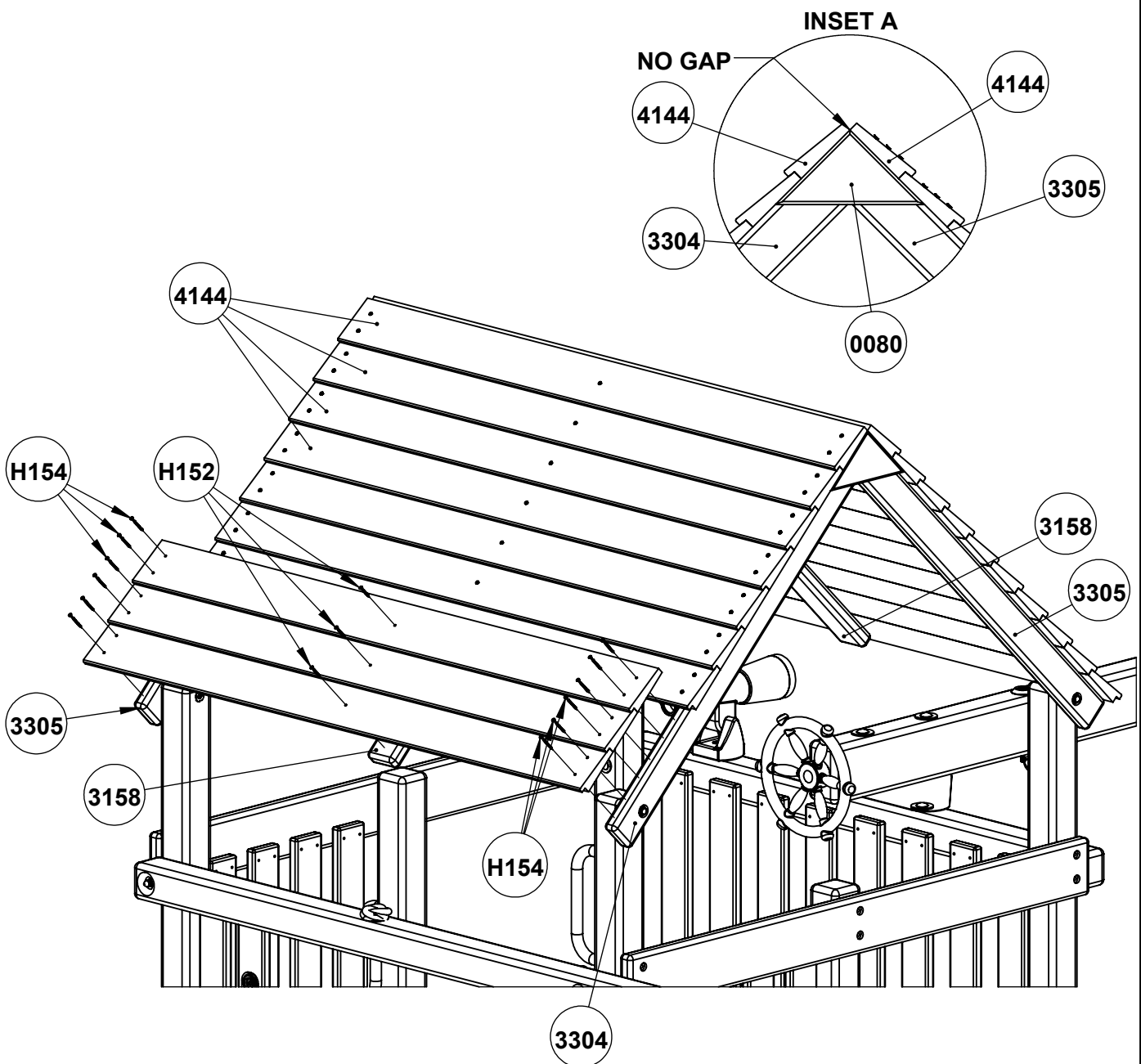
1. Install 3/8" Hardware (H34) into pre-drilled holes of Corner Posts (6302) (6324) by gently tapping with a hammer until flush with face of wood.
  2. Position and attach Left and Right Roof Supports (3304) (3305) (as shown) using 3/8" Hardware (H3) (H11) (H34) (H131). Do not fully tighten hardware at this time.
  3. Flush faces of Roof Supports (3304) (3305) and Peak Facias (0080) (as shown in Inset A) and attach Peak Facias using #8 Hardware (H154).
- \*NOTE:** Tighten 3/8" Hardware (H131) at this time.



# Step 45

## Wood Roof Installation

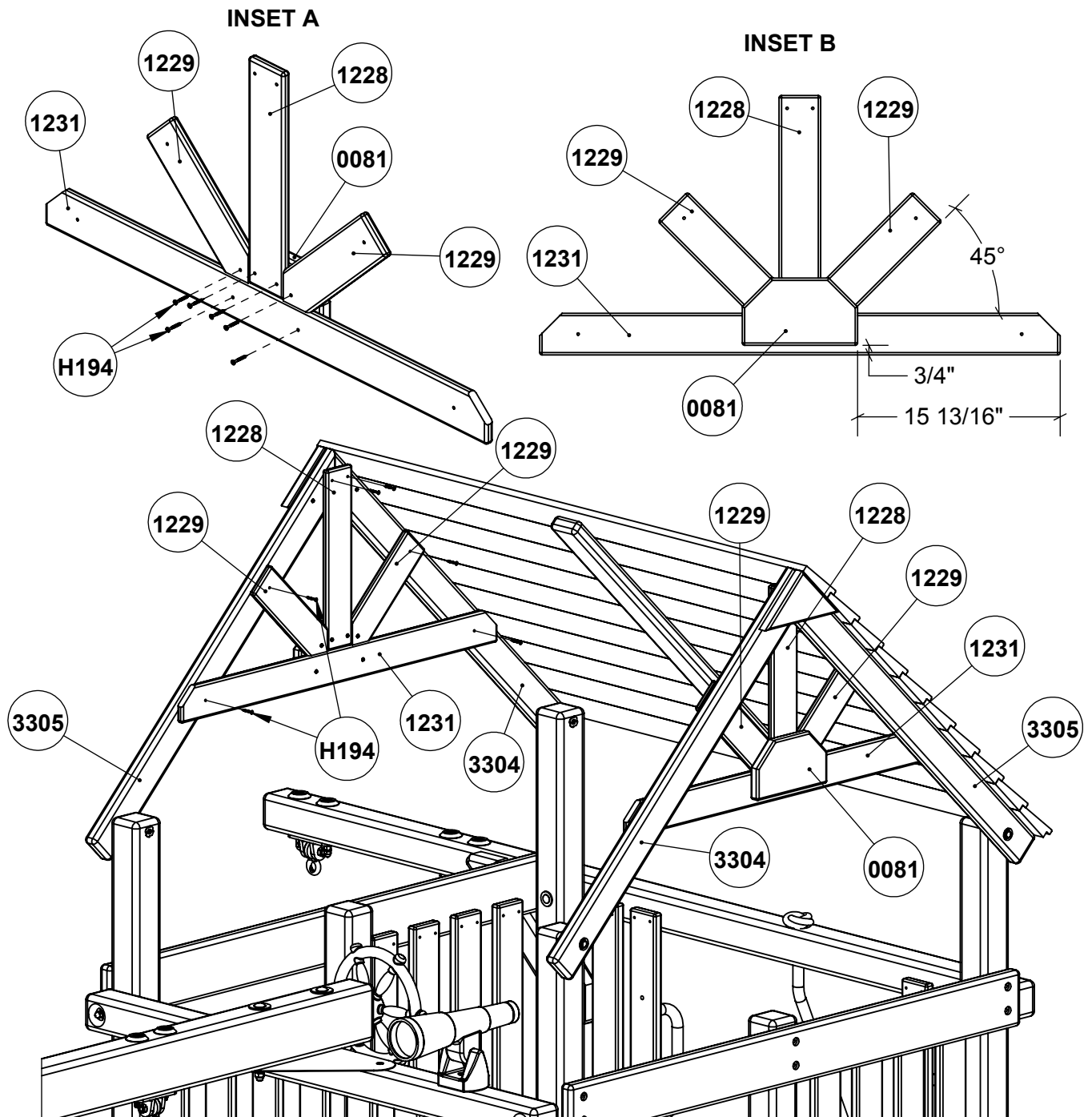
1. Position Roof Boards (4144) on Roof Supports (3304) (3305) (as shown). Center Roof Boards (4144) on Roof Supports (3304) (3305). Starting at the top, attach Roof Boards using #8 Hardware (H154).  
**\*NOTE: The Roof Boards (4144) should be positioned so there is no gap at the peak (as shown in Inset A) and the outside edge should be flush with Peak Facia (0080) (as shown).**
2. After attaching the first 5-6 Roof Boards (4144) (on each roof side), center and attach Roof Runners (3158) to Roof Boards (4144) using #8 Hardware (H152).  
**\*NOTE: To ensure screws in bottom Roof Boards hit the Roof Runners, position Roof Runners 1 1/2" down from top Roof Boards.**
3. Finish attaching the rest of Roof Boards (4144) to Roof Supports (3304) (3305) using #8 Hardware (H154) and to Roof Runners (3158) using #8 Hardware (H152).



# Step 46

## Fan Assembly & Installation

1. On a flat surface position Fan Horizontal (1231), Fan Vertical (1228), and Fan Center (0081), using measurements shown in Inset B, and attach using #8 Hardware (H194).
2. Position Fan Rays (1229) (as shown in Inset A & B) and attach to Fan Center (0081) using #8 Hardware (H194).
3. Position assembled Fan against Roof Supports (3304) (3305) and pushed up tight to roof, and attach to Roof Supports (3304) (3305) using #8 Hardware (H194).



# Step 47

## Ground Stake Installation

**\*WARNING: ALL UNDERGROUND UTILITIES MUST BE LOCATED BEFORE ANCHORING PLAYSET.**

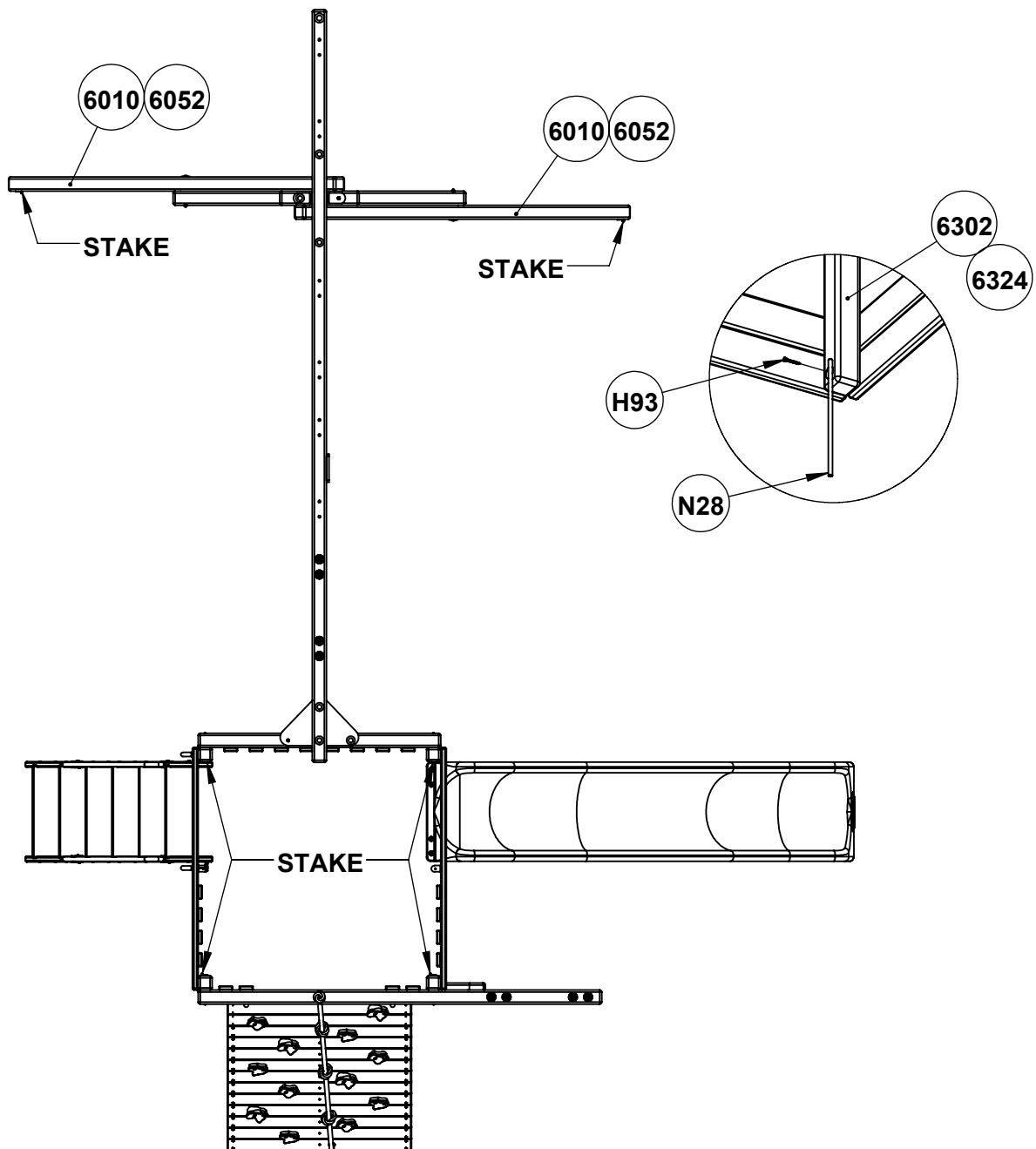
**\*NOTE: Pre-drill 1/8" holes for all 1/4" Lag Bolts.**

1. Drive Stakes (N28) into the ground (in locations shown) and attach to Corner Uprights (6302) (6324) and Swing Beam A-Frame Legs (6010) (6052) using 1/4" Hardware (H93). Stakes should stick out 2"-4" above the ground.

**\*NOTE: Stakes must be as close as possible to the Corner Uprights and A-Frame Legs.**

**\*NOTE: For maximum strength, drive Stakes into the ground at a slight angle.**

**\*CAUTION: Do not hit washer while pounding the stakes into the ground. This may cause washer to break off.**



# Rainbow Exclusive Lifetime Warranty

Rainbow Play Systems, Inc. warrants to the original purchaser that their Rainbow® Play System will be free from defects in material and workmanship for the following time periods:

**LIFETIME WARRANTY** Rainbow guarantees all Cedar lumber components against structural failure for the lifetime of the unit. Seasonal checking, surface cracks, knot holes and knots are natural characteristics of Cedar lumber and are not covered under our warranty.

**LIFETIME WARRANTY** Rainbow guarantees all scoop slides, tube slides, crawl tunnels, crow's nests, panel mounts, commercial swing hangers, the Rainbow® plaque, 360° tire swivels, structural hardware, Plastisol coated plates, Plastisol coated brackets, Plastisol coated rungs, Trapeze/Triangles and Plastisol coated handles for the lifetime of the unit. Cosmetic cracks and color fading of our plastic components are not covered under our warranty. Surface rust on structural hardware and metal components is not covered under this warranty.

**FIVE YEAR WARRANTY** Rainbow guarantees all tarps, ship's wheel, rope disc, binoculars, telescope, periscope, megaphone, bubble window, chalkboard, flag dowels, gliders, buoy balls, tic-tac-toe panel, driving panel, talk tube, ship anchor, ship shelf, ship lock, wave slide, tire swing, swing seat, commercial full bucket swing, half bucket swing, flat swing, rock wall rocks, punching bag, solar lights, and swinging tent will be covered by our five year warranty. Cosmetic cracks and color fading of our plastic components are not covered under our warranty.

**FIVE YEAR WARRANTY** Rainbow guarantees chain ladder, chain, powder coated chin-up bar, fireman's pole, bell, powder coated rungs, powder coated handles, powder coated brackets, powder coated plates, and powder coated corkscrew climber will be covered by our five year warranty. Surface rust on structural hardware and metal components is not covered under this warranty.

**ONE YEAR WARRANTY** Ropes and Flags are covered by our one year warranty.

Rainbow's Exclusive Lifetime Warranty, Five Year Warranty, and One Year Warranty is non-transferable.

This warranty is nullified if a residential unit is utilized in a commercial playground setting, a commercial environment or any commercial playground application. Rainbow Play Village Commercial Playground Equipment are covered under this warranty in commercial playground applications.

Rainbow can nullify this warranty if the unit has been subjected to vandalism, negligent or improper installation, failure to properly maintain the unit with periodic staining of wood and tightening of hardware, unit being subjected to an irrigation system, unauthorized alteration, improper use, or Acts of God.

Your sales receipt will be needed to make a warranty claim. Rainbow will ask you for photos for your warranty claim. Warranty claims will be repaired or replaced as determined by Rainbow. Shipping and labor costs are not covered under this warranty.

**TO THE MAXIMUM EXTENT PERMITTED BY LAW:**

**NO OTHER WARRANTY, EXPRESSED OR IMPLIED CAN REPLACE THIS WARRANTY. THIS WARRANTY IS DIRECTLY FROM RAINBOW PLAY SYSTEMS, INC. TO THE ORIGINAL PURCHASER. NO OTHER WARRANTY OF MERCHANTABILITY OR FITNESS FOR USE, EXPRESSED OR IMPLIED CAN REPLACE THIS WARRANTY. SOME STATES DO NOT ALLOW LIMITATIONS ON HOW LONG AN IMPLIED WARRANTY LASTS. RAINBOW DOES NOT AUTHORIZE ANY PERSON OR ENTITY TO OFFER ANY OTHER WARRANTIES FOR RAINBOW.**

Rainbow assumes no responsibility for incidental or consequential damages which may arise from the purchase or use of the unit. Some states do not allow exclusion or limitation of incidental or consequential damages. This warranty provides you with legal rights, which vary from state to state.

Please register your Rainbow® online at <http://register.rainbowplay.com> to verify your original ownership of your Rainbow Play System.